



FEATURES

- Meets AMD K8 requirements
- DAC Programmable output voltage
- Power good output
- Differential remote sense
- Remote enable
- Supervisory functions
 - Latch off overcurrent
 - Short circuit protection
- Tri-state output when disabled
- Dynamic VID capability
- SMBus temperature monitor

DESCRIPTION

VRK81B080CS is designed to meet the fast load transients required by AMD 64-bit processors and is fully compliant with the latest AMD64™ processor power specifications. High efficiency of 85% at full load for reduced power dissipation to simplify system thermal management. Packaged in a compact design, VRK81B080CU is ideal for use in a wide variety of server applications.



SELECTION GUIDE

Order Code	Input Voltage	Output Voltage	Output Current	Efficiency
	V (NOM.)	V	A	% (TYP.)
VRK81B080CS	12	0.8-1.55	80	85

INPUT CHARACTERISTICS

Parameter	Conditions ¹	MIN.	TYP.	MAX.	Units
Input voltage operating range		10.2	12.0	13.2	V
Under voltage lockout	Turn-on threshold	6.5	6.9	7.3	
	Turn-off threshold	5.4	6.0	6.6	
	Hysteresis voltage	0.7	0.9	1.1	
Maximum input current	Typical: 80A, 1.4VID, V _{IN} = 12V Max: 80A, 1.55VID, V _{IN} = 12V		11	13	A
No-load input current	Enable state, no load	100	200	400	mA
Disabled input current	Disabled state	10	20	50	
Enable - positive logic	On state range	0.8		5	V
	Off state range	-0.3		0.4	

OUTPUT CHARACTERISTICS

Parameter	Conditions ¹	MIN.	TYP.	MAX.	Units
Voltage set point	5-Bit DAC controlled	0.800		1.55	V
Line regulation		-5	0	5.0	mV
Load regulation			0.6		mΩ
Voltage total regulation DC		VID-50mV		VID+50mV	V
Ripple & noise ²	20MHz bandwidth, using recommended output capacitors		8.4		mVp-p
Current operating range		0		80	A
Efficiency	I _o = 80A, VID = 1.325V	83	85		%
Turn-on time	V _{IN} present: enable to 90% V _{OUT}			50	mS
Recommended bulk output capacitance	560μF, 4V alum poly		8		EA
	10μF, 1206 X7R ceramic		25		EA

GENERAL CHARACTERISTICS

Parameter	Conditions ¹	MIN.	TYP.	MAX.	Units
Semiconductor junction temperature	Package rated to 150°C			115	°C
Material flammability	UL 94V-0				
MTBF	Calculated (RAC PRISM)		1.303		x10 ⁶ Hrs
Switching frequency	Per phase		300		KHz

TEMPERATURE CHARACTERISTICS

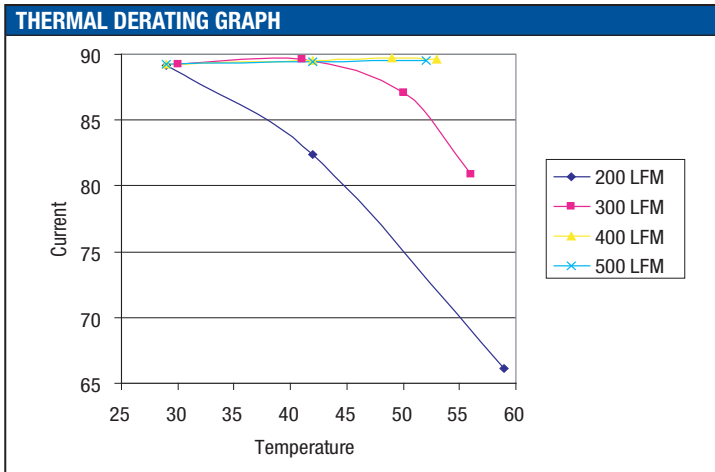
Parameter	Conditions ¹	MIN.	TYP.	MAX.	Units
Storage temperature range	Non-condensing	-40		70	°C
Operating temperature range	See derating graph	0		60	

PROTECTION CHARACTERISTICS

Parameter	Conditions ¹	MIN.	TYP.	MAX.	Units
Output overcurrent shutdown	Latching	85		120	A
Overvoltage Indication, CBOUT	V _{OUT}		2.1		V

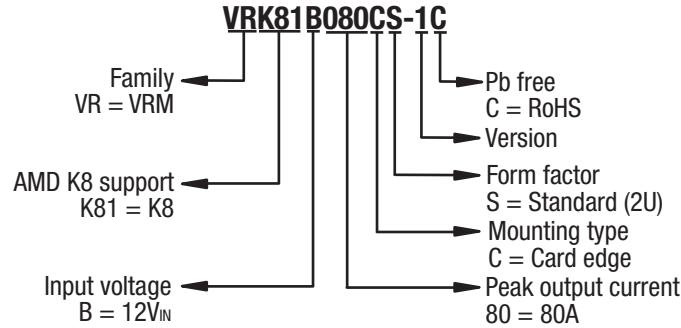
1. V_{IN} = 12VDC, T_A = 25°C, Airflow = 400LFM unless otherwise noted.

2. Output ripple voltage is specified when measured with recommended capacitance at the output of the converter.



VID CODES					
VID4	VID3	VID2	VID1	VID0	V _{OUT}
0	0	0	0	0	1.550
0	0	0	0	1	1.525
0	0	0	1	0	1.500
0	0	0	1	1	1.475
0	0	1	0	0	1.450
0	0	1	0	1	1.425
0	0	1	1	0	1.400
0	0	1	1	1	1.375
0	1	0	0	0	1.350
0	1	0	0	1	1.325
0	1	0	1	0	1.300
0	1	0	1	1	1.275
0	1	1	0	0	1.250
0	1	1	0	1	1.225
0	1	1	1	0	1.200
0	1	1	1	1	1.175
1	0	0	0	0	1.150
1	0	0	0	1	1.125
1	0	0	1	0	1.100
1	0	0	1	1	1.075
1	0	1	0	0	1.050
1	0	1	0	1	1.025
1	0	1	1	0	1.000
1	0	1	1	1	0.975
1	1	0	0	0	0.950
1	1	0	0	1	0.925
1	1	0	1	0	0.900
1	1	0	1	1	0.875
1	1	1	0	0	0.850
1	1	1	0	1	0.825
1	1	1	1	0	0.800
1	1	1	1	1	Shutdown

PART NUMBER CODING



PACKAGE SPECIFICATIONS

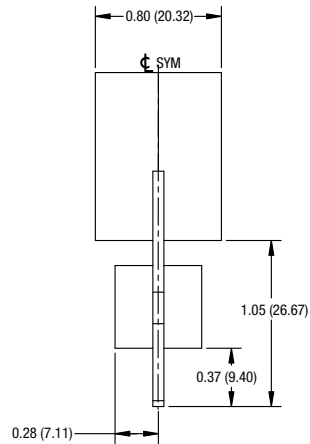
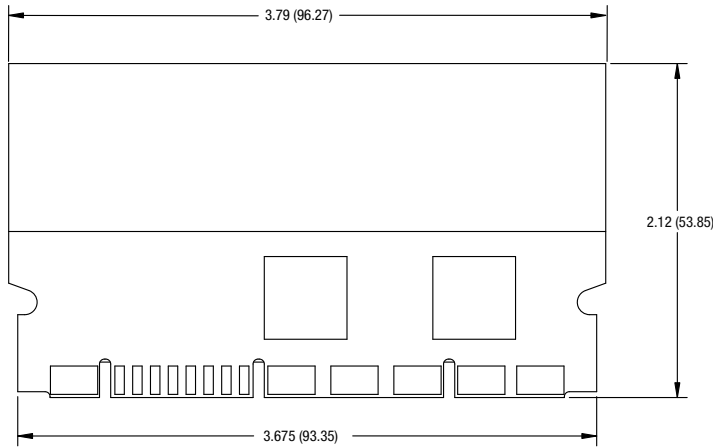
PIN ASSIGNMENT

Pin	Signal	Pin	Signal
1	GND	54	+12V _{IN}
2	GND	53	+12V _{IN}
3	GND	52	+12V _{IN}
4	VID4	51	VID3
5	VID2	50	VID1
6	VID0	49	NC
7	COREFB_H	48	CORERB_L
8	PWRGD	47	CBOUT
9	ENABLE	46 ¹	ADD 0
10 ¹	SmDA	45 ¹	ADD 1
11 ¹	SMC _L	44	VRMPRES_L
12	SGND	43	+5V ALWAYS
13	V _{DD} CORE+	42	V _{DD} CORE+
14	V _{DD} CORE+	41	V _{DD} CORE+
15	V _{DD} CORE+	40	V _{DD} CORE+
16	GND	39	GND
17	GND	38	GND
18	GND	37	GND
19	V _{DD} CORE+	36	V _{DD} CORE+
20	V _{DD} CORE+	35	V _{DD} CORE+
21	V _{DD} CORE+	34	V _{DD} CORE+
22	V _{DD} CORE+	33	V _{DD} CORE+
23	V _{DD} CORE+	32	V _{DD} CORE+
24	V _{DD} CORE+	31	V _{DD} CORE+
25	GND	30	GND
26	GND	29	GND
27	GND	28	GND

1. Optional features. Substitute "NC" if option is not ordered.

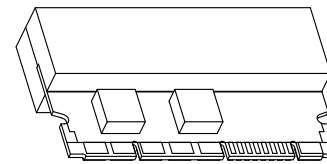
PACKAGE SPECIFICATIONS (continued)

MECHANICAL DIMENSIONS



Recommended Interface Connector Options

- | | |
|-------------|-------------------------------------|
| Typco/Elcon | 283-0172-01303 (Solder Tail, Long) |
| | 283-0172-02303 (Solder Tail, Short) |
| | 284-0202-03003 (Surface Mount) |



Weight: 2.08oz (59g)

All dimensions in inches ± 0.03 (mm ± 0.25 mm).