

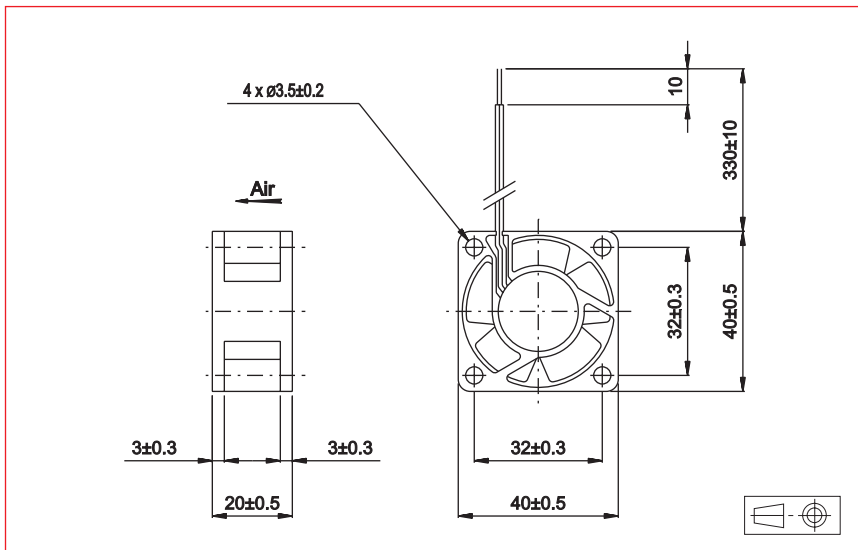
1,575" x 1,575" x 0,787"

40 x 40 x 20 mm

Series  
380D

**ETRI**

DC Axial Fans



Approvals



Life expectancy

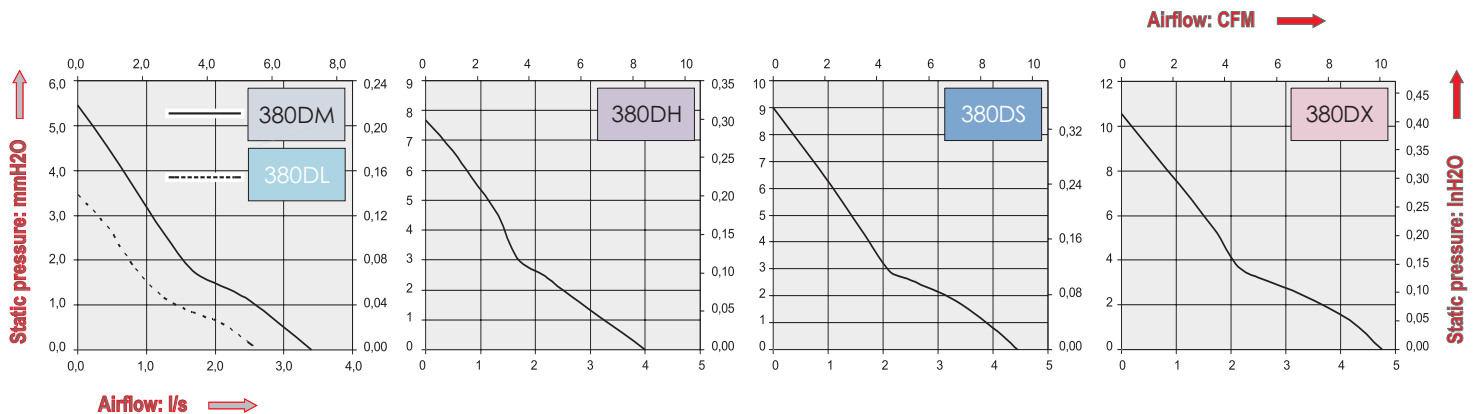
L-10 LIFE AT 40°C:  
80 000 hours

Brushless DC Motor

Electrical protection: impedance protected  
Housing material: plastic UL 94 VO  
Impeller material: plastic UL 94 VO  
Weight: 28 g (33 g on some models)  
Bearing system: ball bearings

Available with:

- Speed sensor
- Open collector alarm
- IP54 / IP55



Part Number	Nominal voltage	Airflow	Noise level	Nominal speed	Input Power	Voltage range	Connection type		Operating temperature	
	V						l/s	dB(A)	RPM	W
380DL5LP11000	5	2,6	22	5000	0,5	(4,5-5,5)	X		-10	70
380DL1LP11000	12	2,6	22	5000	0,6	(7-13,8)	X		-10	70
380DL2LP11000	24	2,6	22	5000	1,0	(14-27,6)	X		-10	70
380DM5LP11000	5	3,4	24	6300	0,8	(7-13,2)	X		-10	70
380DM1LP11000	12	3,4	24	6300	0,7	(7-13,8)	X		-10	70
380DM2LP11000	24	3,4	24	6300	1,2	(14-27,6)	X		-10	70
380DH5LP11000	5	4,0	28,5	7600	1,3	(4,5-5,5)	X		-10	70
380DH1LP11000	12	4,0	28,5	7600	1,0	(7-13,8)	X		-10	70
380DH2LP11000	24	4,0	28,5	7600	1,4	(14-27,6)	X		-10	70
380DS5LP11000	5	4,5	30,5	8200	1,5	(4,5-5,5)	X		-10	70
380DS1LP11000	12	4,5	30,5	8200	1,2	(7-13,8)	X		-10	70
380DS2LP11000	24	4,5	30,5	8200	1,7	(14-27,6)	X		-10	70
380DX5LP11000	5	4,8	32,5	9000	1,6	(4,5-5,5)	X		-10	70
380DX1LP11000	12	4,8	32,5	9000	1,4	(7-13,8)	X		-10	70
380DX2LP11000	24	4,8	32,5	9000	2,2	(14-27,6)	X		-10	70

Accessories:  
Refer to Accessories leaflet