

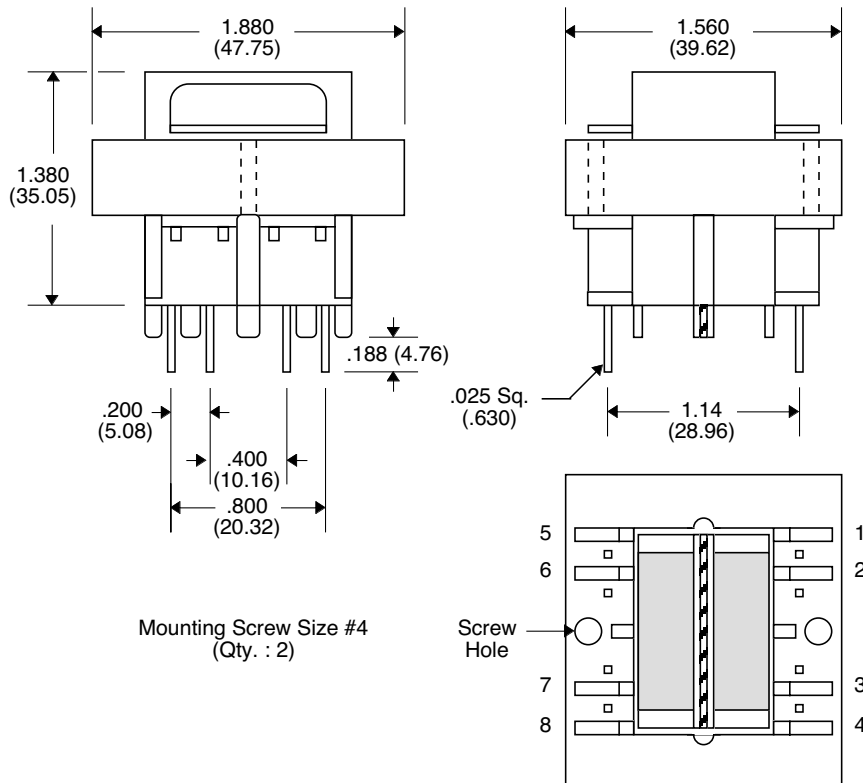
- Dual Primaries : 115 V / 230 V
- UL 94V-0 Recognized Components
- UL 1446 Class F Insulation System
- Meets or exceeds CSA/TUV/VDE Specifications for Creepage, Clearance and Dielectric Strength

### Electrical Parameters @ 25° C

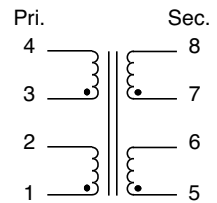
Part Number	Primary Voltage		Secondary Voltage		Secondary Current (A-Rms)		Power Rating (VA)
	Parallel Connection	Series Connection	Parallel Connection	Series Connection	Parallel Connection	Series Connection	
EPC3080-1	115	230	5.0	10	2.00	1.00	10
EPC3080-2	115	230	6.3	12.6	1.60	0.80	10
EPC3080-3	115	230	8.0	16	1.25	0.62	10
EPC3080-4	115	230	10	20	1.00	0.50	10
EPC3080-5	115	230	12	24	0.84	0.42	10
EPC3080-6	115	230	14	28	0.73	0.36	10
EPC3080-7	115	230	18	36	0.50	0.28	10

• Switching Frequency : 50 Hz - 500 Hz • Isolation : 4000 Vrms •

### Package



### Schematic



Unless Otherwise Specified Dimensions are in Inches /mm ±.010 /.25