

## EPB5162G & EPB5162G-RC



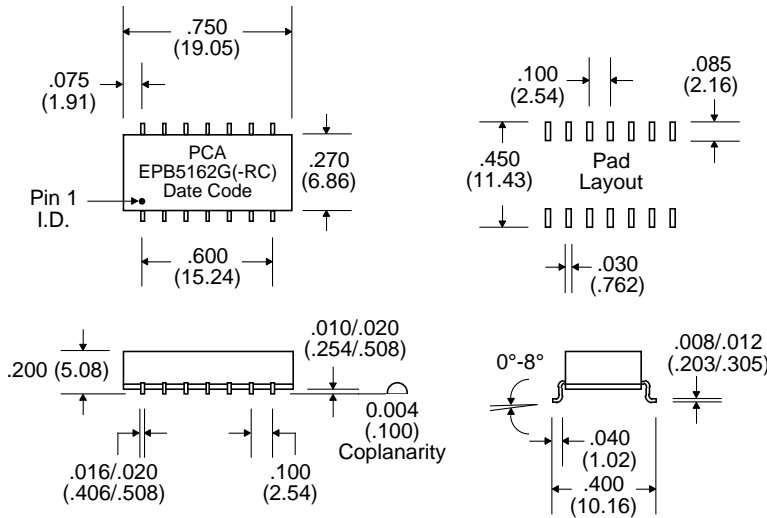
- Trans-Am Downstream Bandpass Filter
- Robust construction allows for IR/VP processes
- Add “-RC” after part number for RoHS Coompliant
- Operating Temperature : 0°C to 70°C

### Electrical Parameters @ 25° C

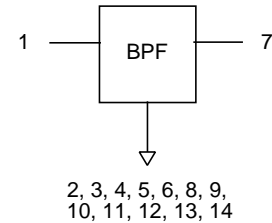
Cut-Off Frequency (MHz)		Insertion Loss (dB Max.)	Return Loss (dB Min.)	Attenuation (dB Min.)				Group Delay (nS Max.)
Lower Band	Upper Band	30-50 MHz	30-50 MHz	DC to 5 MHz	@ 10 MHz	@ 80 MHz	125-500 MHz	30-50 MHz
20	60	-1	-15	-25	-15	-35	-40	8

- Filter Characteristic Impedance : 75
- Maximum Amplitude Variation : ± 0.25 dB @ 30-50 MHz

### Package



### Schematic



Notes :	EPB5162G	EPB5162G-RC
1. Lead Finish	SnPb	Hot Dipped Sn
2. Peak Temperature Rating	225°C	245°C
3. Moisture Sensitive Levels	MSL = 3 (168 Hours, 30°C/60%RH)	MSL = 4 (72 Hours, 30°C/60%RH)
4. Weight	1.4 grams	1.4 grams
5. Packaging Information	(Tube) 27 pieces/tube (Tape & Reel) 700 pieces/13" reel	27 pieces/tube 700 pieces/13" reel

Unless Otherwise Specified Dimensions are in Inches /mm ± .010 / .25