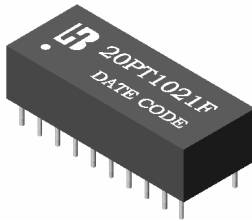


**20 PIN DIP ETHERNET 10/100 BASE DUAL PORT TRANSFORMER**

**P/N: 20PT1021F DATA SHEET**

**Feature**

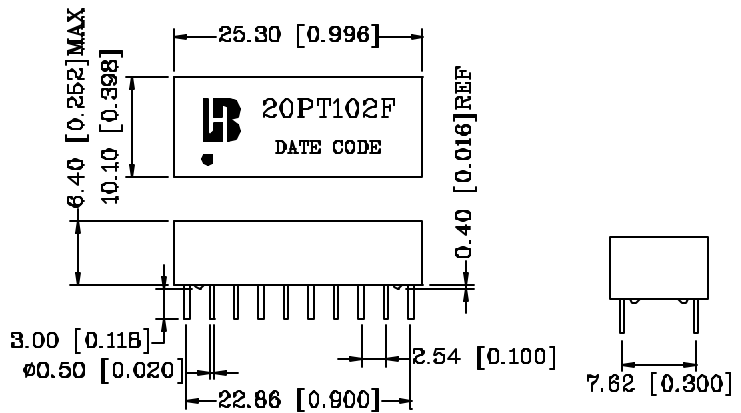
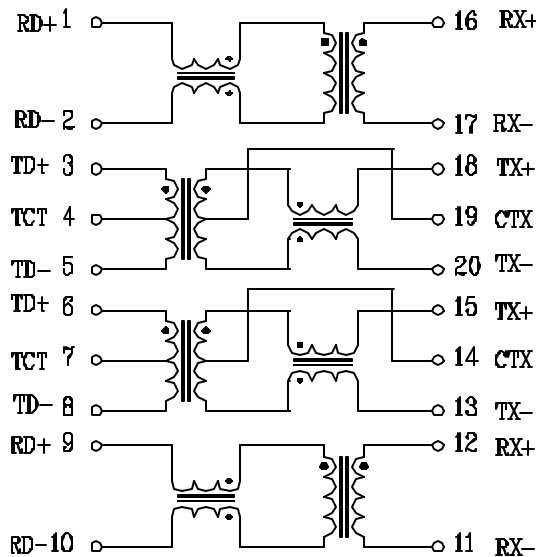


- IEEE 802.3 Ethernet compatible, 100 BASE-TX, dual port
- Design for multiport repeater and Ethernet switching Hub application.
- Operating temperature range : 0°C to +70°C.
- Storage temperature range: -25°C to +125 °C.

Electrical Specifications @ 25°C							
Part Number	Turns Ratio (±5%)		Primary OCL (i H Min) @100KHz/0.1Vrms 8mA DC/Bias	Leakage Inductance (i H Max)	Cw/w (pF Max)	Isolation HI-POT (Vrms)	Primary DCR (Ω Max)
	TX	RX					
20PT1021F	1CT:1CT	1:1	350	0.4	28	1500	0.9
Continue							
Part Number	Insertion Loss (dB Max)	Return Loss (dB Min)			Cross talk (dB Min)	DCMR (dB Min)	Insulation Resistance (MΩ)
		0.3-100MHz	0.3-30MHz	30-60MHz			
20PT1021F	-1.1	-18	-14	-12	-38	-40	10,000

**Schematic**

**Mechanical**



Units : mm [Inches] Tolerances : xx.x0 ±0.25 [0.010]  
0.xx ±0.05 [0.002]