

4

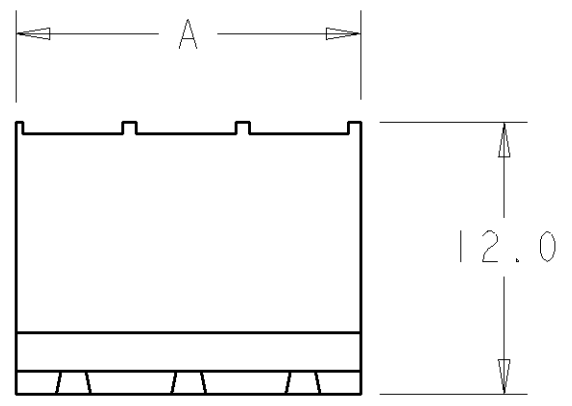
3

2

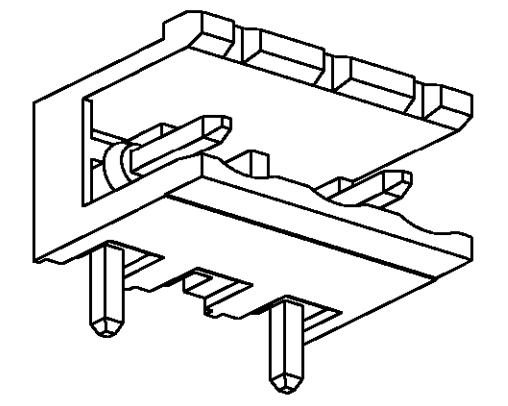
1

THIS DRAWING IS UNPUBLISHED. RELEASED FOR PUBLICATION 20
 © COPYRIGHT 20 BY TYCO ELECTRONICS CORPORATION. ALL RIGHTS RESERVED.

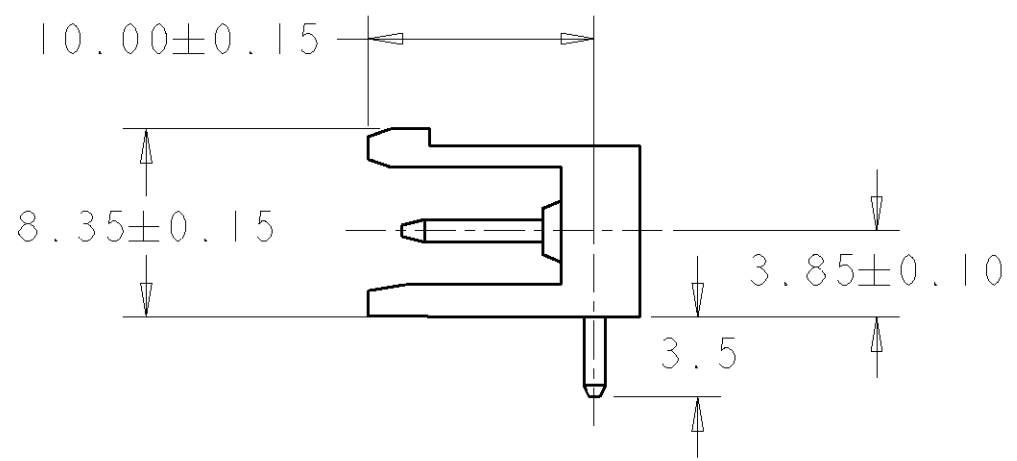
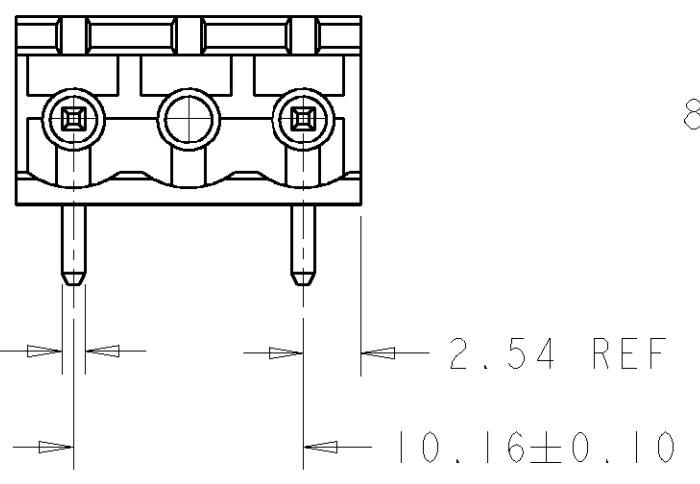
LOC	DIST	REVISIONS			
P	LTR	DESCRIPTION	DATE	DWN	APVD
	C	REVISED PER 0G3B-0326-01	26JUL2001	EZ	DB



- 1 MATERIALS AND FINISH
HOUSING: PA 6-6, UL 94-V0, COLOR GREEN.
TERMINAL: PHOSPHOR BRONZE, TIN PLATED.
- 2 SUITABLE FOR 1,6-2,4mm PC BOARD THICKNESS.
- 3 RECOGNIZED UNDER THE COMPONENT PROGRAM OF UNDERWRITERS LABORATORIES INC. FILE N° E60677.
- 4 IMQ CERTIFICATE WITH SURVEILLANCE IN CONFORMITY WITH IEC 998-1/998-2-1.
- 5 NOT CUMULATIVE TOLERANCE.

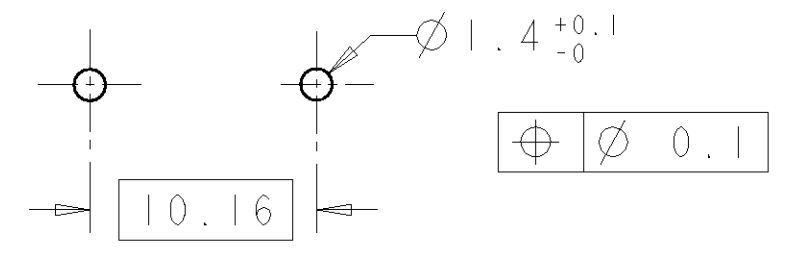


282819-2 AS SHOWN



127.00	13	1-282819-3
116.84	12	1-282819-2
106.68	11	1-282819-1
96.52	10	1-282819-0
86.36	9	282819-9
76.20	8	282819-8
66.04	7	282819-7
55.88	6	282819-6
45.72	5	282819-5
35.56	4	282819-4
25.40	3	282819-3
15.24	2	282819-2
DIM. A	N° OF POS.	PART NUMBER

RECOMMENDED PC BOARD LAYOUT



<small>THIS DRAWING IS A CONTROLLED DOCUMENT FOR TYCO ELECTRONICS CORPORATION IT IS SUBJECT TO CHANGE AND THE CONTROLLING ENGINEERING ORGANIZATION SHOULD BE CONTACTED FOR THE LATEST REVISION.</small>		DWN 26JUL2001 E. ZANOLINI CHK 26JUL2001 D. BIEVENOUR APVD 26JUL2001 D. BIEVENOUR		BUCHANAN Tyco Electronics Harrisburg, PA 17105-3608	
DIMENSIONS: mm		TOLERANCES UNLESS OTHERWISE SPECIFIED: 0 PLC ±- 1 PLC ±.2 2 PLC ±.25 3 PLC ±- 4 PLC ±- ANGLES ±2		NAME TERMINAL BLOCK HEADER ASSEMBLY 90° OPEN ENDS 10.16mm PITCH	
MATERIAL 		FINISH 		PRODUCT SPEC 108-20166 APPLICATION SPEC 114-20079 WEIGHT -	
CUSTOMER DRAWING				SIZE A3 CAGE CODE 00779 DRAWING NO C=282819 RESTRICTED TO -	
				SCALE 3:1 SHEET 1 OF 1 REV C	