

## Miniature Resistance Weld Crystal

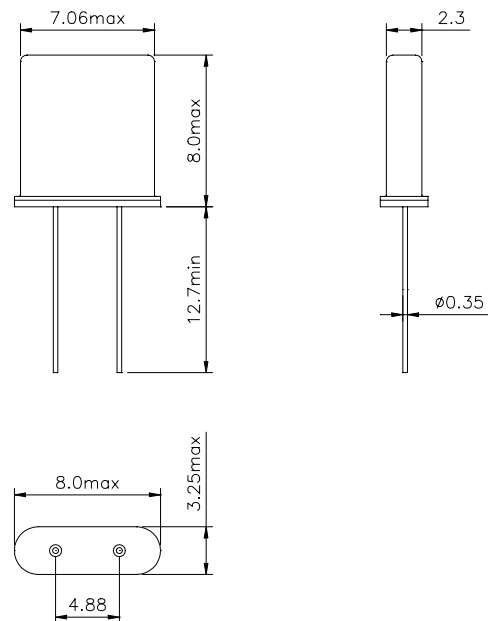
The UM1 series is a AT-cut crystal housed in a miniature resistance weld package that provides for an excellent hermetic seal and frequency aging. This high quality crystal offers a smaller footprint in a wide frequency range.



### Specifications:

<b>Frequency Range:</b>	6.0 MHz ~ 45 MHz	Fundamental
	25 MHz ~ 200 MHz	Overtone
<b>Operating Temperature:</b>	0°C ~ +50°C	-A
	-10°C ~ +60°C	-B
	-20°C ~ +70°C	-C
	-40°C ~ +85°C	-L
<b>Storage Temperature:</b>	-55°C ~ +125°C	
<b>Frequency Tolerance:</b>	± 50 ppm	-50
(at 25°C)	± 30 ppm	-30
	± 20 ppm	-20
	± 10 ppm	-10
<b>Frequency Stability:</b>	± 50 ppm	-50
(over temperature range)	± 30 ppm	-30
	± 20 ppm	-20
	± 10 ppm	-10
<b>Circuit Condition:</b>	10 pF ~ 32 pF or series	
<b>Equivalent Series Resistance:</b>	Maximum resistance corresponds to frequency. Please see ESR table.	
<b>Drive Level:</b>	100 μW max	
<b>Shunt Capacitance:</b>	7 pF max	
<b>Aging:</b>	± 3 ppm max per year	
<b>Optional Features:</b>	Fundamental	-F
	3 <sup>rd</sup> , 5 <sup>th</sup> , 7 <sup>th</sup> O.T.	-3, 5, 7
	Tape & Reel	-TR

### UM-1



All dimensions are in mm

### Ordering Information

Product name + CL + Operating Temperature Range + Tolerance + Stability + Other Code + Frequency.

i.e. UM1-20-C-30-30-F-24.000MHz

#### Note:

- Other frequencies, tolerances, stabilities, and operating temperature ranges available. Consult VTC Support for specific requirements.
- Not all combinations of the above tolerances, stabilities, and temperature ranges are available. Consult VTC Support if your requirement is not standard.
- All specifications subject to change without notice.