

DC COOLING FAN

25x25x10mm

- Voltage: 5 & 12 VDC
- Oil Bearing
- Material on housing: Plastic Housing to UL94V-0
- Airflow range: 1.69 - 2.56 CFM
- Suitable for Small Space Cooling
- Spot Cooling



SPECIFICATION

Part No.	Bearing	Voltage(V)	Current(A)	Power(W)	Speed(RPM)	Air flow(CFM)	Pressure(mmAq)	Noise(dB/A)	Weight(g)
DBF2510G05H	Oil	5v	0.08	0.65	12000	2.56	6.73	29.0	6g
DBF2510G05M	Oil	5v	0.06	0.42	10000	2.14	4.93	26.9	6g
DBF2510G05L	Oil	5v	0.05	0.25	8000	1.69	3.23	24.1	6g
DBF2510G12H	Oil	12v	0.09	1.02	12000	2.56	6.73	29.0	6g
DBF2510G12M	Oil	12v	0.06	0.68	10000	2.14	4.93	26.9	6g
DBF2510G12L	Oil	12v	0.04	0.5	8000	1.69	3.23	24.1	6g

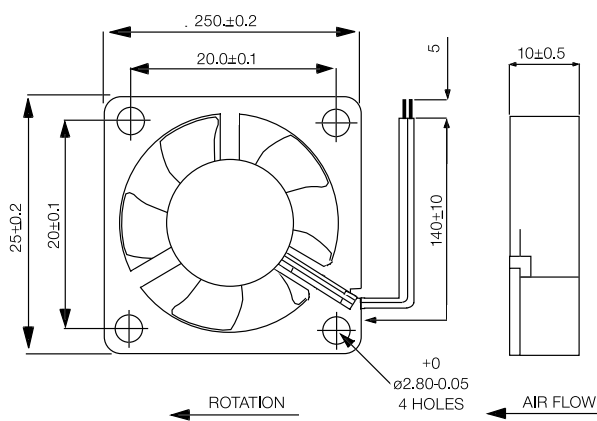
Impeller: Plastic (UL;94V-0)

Protection: Current Limit

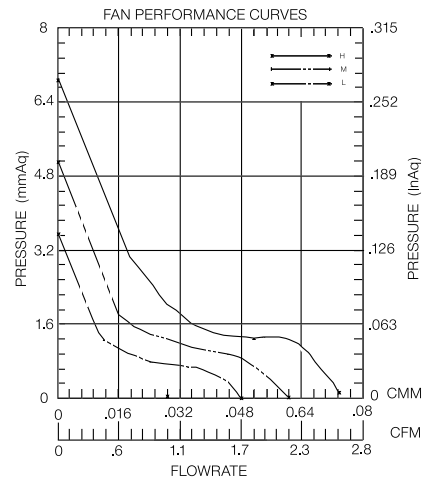
Operating Temp: -10° to 70 °C

SECTION 12

EXTERNAL DIMENSIONS



PERFORMANCE CURVE



ORDERING INFORMATION

DBF	2510	G	05	H	
Dubilier Fans	Size 25x25x10mm	Bearing G=Oil	Voltage 05=05vdc 12=12vdc	Airflow H=High M=Medium L=Low	Options Blank=Standard S=Speed Sensor