

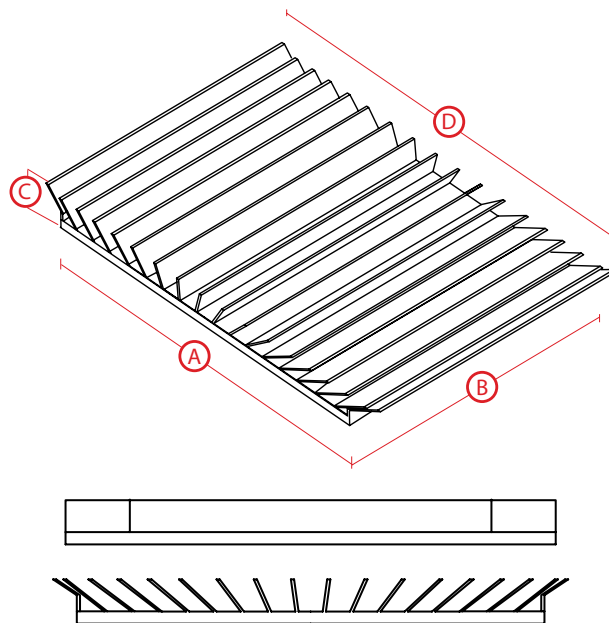


Low Profile, High Performance Cooling Solutions w/Thermal Tape Attachment

ATS PART # ATS-60001-C2-R0

Features & Benefits

- » blueICE™ heat sinks feature an ultra low profile for tough-to-cool applications
- » Designed for high performance in low air velocities
- » Ideal for telecommunications applications where space is limited
- » Comes preassembled with high performance thermal interface material



**Image above is for illustration purposes only.*

Thermal Performance

AIR VELOCITY		THERMAL RESISTANCE	
FT/MIN	M/S	°C/W (UNDUCTED FLOW)	°C/W (DUCTED FLOW)
200	1.0	7.8	3.8
300	1.5	6.1	
400	2.0	4.9	
500	2.5	4.1	
600	3.0	3.6	
700	3.5	3.1	
800	4.0	2.8	

Product Details

DIMENSION A	DIMENSION B	DIMENSION C	DIMENSION D	INTERFACE MATERIAL	FINISH
37.6 mm	37.6 mm	4 mm	56 mm	SAINT-GOBAIN C675	BLUE-ANODIZED

NOTES:

- 1) Dimension C = heat sink height from bottom of the base to the top of the fin field.
- 2) Thermal performance data are provided for reference only. Actual performance may vary by application.
- 3) ATS reserves the right to update or change its products without notice to improve the design or performance.
- 4) Contact ATS to learn about custom options available.



ATS ADVANCED THERMAL SOLUTIONS, INC.
Innovations in Thermal Management®

For more information, to find a distributor or to place an order, visit www.qats.com or call: 781.769.2800 (North America); +31 (0) 3569 84715 (Europe).