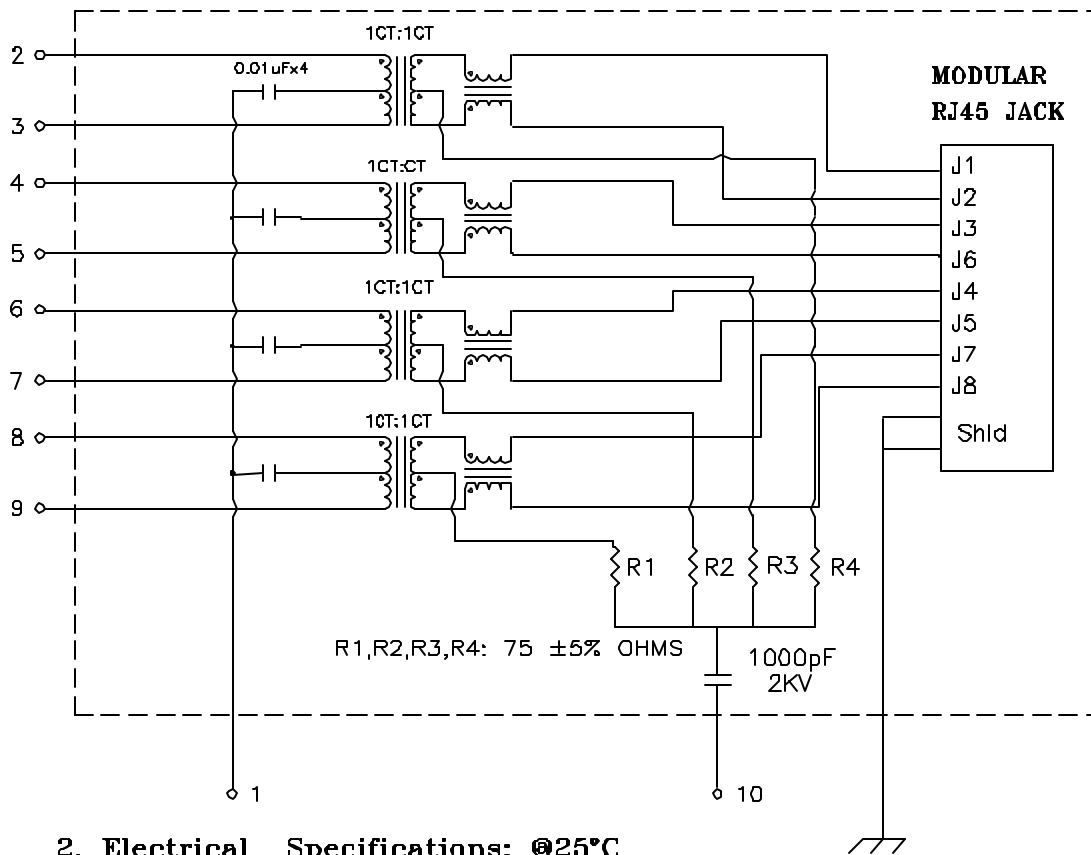


1. Schematic: (Single Port)



2. Electrical Specifications: @25°C

ISOLATION: 1500 Vrms
 TURNS RATIO: (PRI/SEC) 1CT:1CT ±3%
 OCL: 350uH MIN @100KHz 100mV 8mADC
 Rise Time: 1.75ns Max.
 INSERTION LOSS: -1.0dB MAX @1MHz-100MHz
 -1.5dB MAX @100-125MHz
 RETURN LOSS: -18dB Min @1-30MHz
 -15dB Min @40MHz -13.1dB Min @50MHz
 -12dB Min @60-80MHz -10dB Min @100MHz
 Differential to Common Mode Rejection:
 -43dB Min @30MHz -37dB Min @80MHz
 -33dB Min @100MHz
 CMRR: -30dB Min @1-100MHz
 Crosstalk: -45dB Min @30MHz
 -40dB Min @60MHz -35dB Min @100MHz

Notes:

1. Solderability: Leads shall meet MIL-STD-202G, Method 208H for solderability.
2. Flammability: UL94V-0
3. ASTM oxygen index > 28%
4. Insulation System: Class F 155°C. UL file E151555
5. Operating Temperature Range: All listed parameters are to be within tolerances from -40°C to +85°C
6. Storage Temperature Range: -55°C to +125°C
7. Aqueous wash compatible
8. Electrical and mechanical specifications 100% tested
9. RoHS Compliant Component

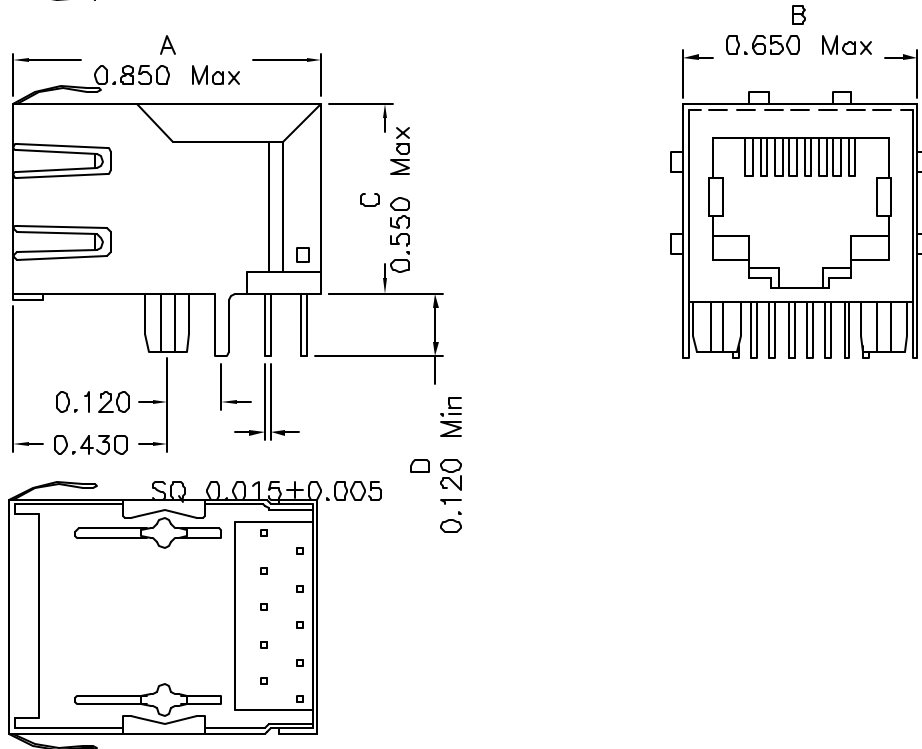
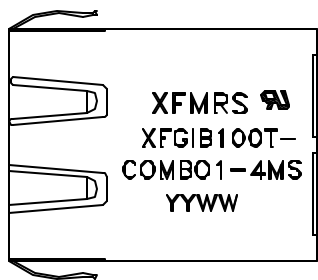
DOC REV.: A/2

PROPRIETARY:

Document is the property of XFMRs Group & is not allowed to be duplicated without authorization.

XFMRs Inc. www.XFMRs.com	Title: SINGLE PORT COMBO	
	P/N: XFGIB100T-COMB01-4MS	REV. A
UNLESS OTHERWISE SPECIFIED TOLERANCES: .xxx ±0.010 Dimensions in Inch	DWN.	Juan Mao
	CHK.	YK Liao
SHEET 1 OF 2	APP.	BW
		Mar-10-06
		Mar-10-06
		Mar-10-06

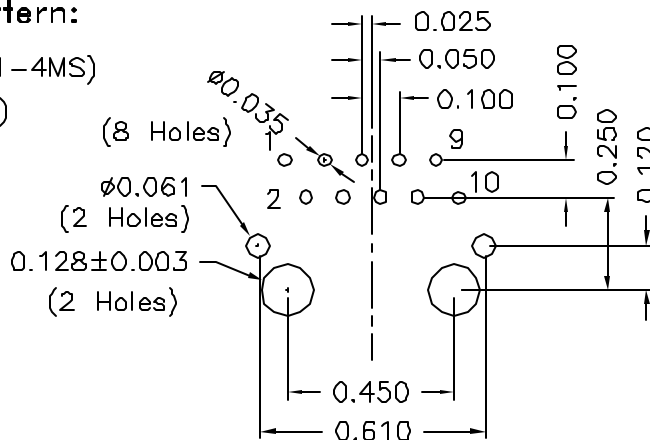
Mechanical Dimensions:



(BOTTOM VIEW)

Mounting Pattern:

(FOR COMB01-4MS)
(COMP SIDE)



XFMRs Inc.
www.XFMRS.com

Title: Mechanical Dimensions
For COMB01-4MS Series

DOC. REV.: A/2

UNLESS OTHERWISE SPECIFIED
TOLERANCES:
.xxx ±0.010
Dimensions in Inch

P/N: XFGIB100T-COMB01-4MS

REV. A

DWN.

Juan Mao

Mar-10-06

CHK.

YK Liao

Mar-10-06

SHEET 2 OF 2

APP.

BW

Mar-10-06

PROPRIETARY:

Document is the property of XFMRs Group & is not allowed to be duplicated without authorization.