

## Features

- 4-dB Attenuation Steps to 28 dB
- High Accuracy
- Low DC Power Consumption: 50  $\mu$ W
- Low Intermodulation Product: +50 dBm IP3
- Temperature Range: -40°C to +85°C
- SOIC-14 Plastic Package
- Tape and Reel Packaging Available

## Description

M/A-COM's AT-230 is a 3-bit, 4-dB step GaAs MMIC digital attenuator in a low cost SOIC 14-lead surface mount plastic package. The AT-230 is ideally suited for use where high accuracy, fast switching, very low power consumption and low intermodulation products are required.

Typical applications include radio and cellular equipment, wireless LANs, GPS equipment and other Gain/Level Control circuits.

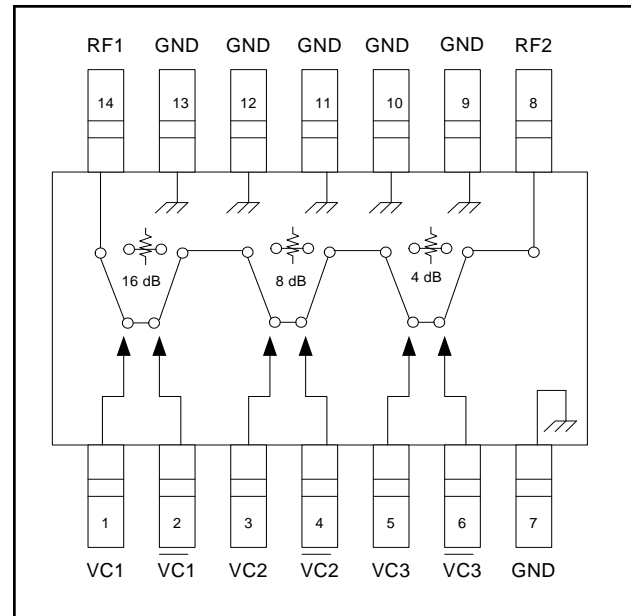
The AT-230 is fabricated with a monolithic GaAs MMIC using a mature 1-micron process. The process features full chip passivation for increased performance and reliability.

## Ordering Information <sup>1</sup>

Part Number	Package
AT-230	SOIC 14-Lead Plastic Package
AT-230TR	Forward Tape & Reel

1. Reference Application Note M513 for reel size information.

## Functional Schematic



## Pin Configuration

Pin No.	Function	Pin No.	Function
1	<u>VC1</u>	8	RF2
2	VC1	9	Ground
3	<u>VC2</u>	10	Ground
4	VC2	11	Ground
5	<u>VC3</u>	12	Ground
6	VC3	13	Ground
7	Ground	14	RF1

## Absolute Maximum Ratings <sup>2</sup>

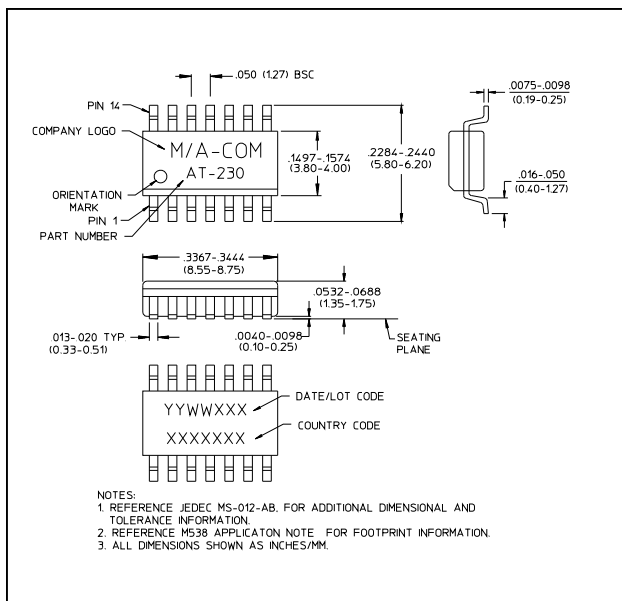
Parameter	Absolute Maximum
Input Power: 50 MHz 500-2000 MHz	+27 dBm +34 dBm
Control Voltage	+5V, -8.5V
Operating Temperature	-40°C to +85°C
Storing Temperature	-65°C to +150°C

2. Exceeding any one or combination of these limits may cause permanent damage to this device.

**Electrical Specifications:  $T_A = 25^\circ\text{C}$ ,  $Z_0 = 50 \Omega$**

Parameter	Test Conditions	Units	Min	Typ	Max
Reference Insertion Loss	DC-0.1 GHz	dB	—	1.2	1.4
	DC-0.5 GHz	dB	—	1.5	1.7
	DC-1.0 GHz	dB	—	1.6	1.8
	DC-2.0 GHz	dB	—	1.8	2.1
Attenuation Accuracy	DC-1.0 GHz DC-2.0 GHz	± (0.15 dB +3% of Atten Setting in dB) dB ± (0.30 dB +3% of Atten Setting in dB) dB			
VSWR		Ratio	—	1.2:1	—
Trise, Tfall	10% to 90% RF, 90% to 10% RF	nS	—	12	—
Ton, Toff	50% Control to 90% RF, 50% Control to 10% RF	nS	—	18	—
Transients	In Band	mV	—	25	—
1 dB Compression (Input Power)	0.05 GHz	dBm	—	20	—
	0.5-2.0 GHz	dBm	—	28	—
IP <sub>2</sub>	0.05 GHz	dBm	—	45	—
	0.5-2.0 GHz Measured Relative to Input Power (for two-tone input power up to +5 dBm)	dBm	—	68	—
IP <sub>3</sub>	0.05 GHz	dBm	—	40	—
	0.5-2.0 GHz Measured Relative to Input Power (for two-tone input power up to +5 dBm)	dBm	—	50	—

## SOIC-14



## Truth Table

Control Input						
$\overline{\text{VC3}}$	VC3	$\overline{\text{VC2}}$	VC2	$\overline{\text{VC1}}$	VC1	Atten (dB)
1	0	1	0	1	0	Reference
0	1	1	0	1	0	4 dB
1	0	0	1	1	0	8 dB
1	0	1	0	0	1	16 dB
0	1	0	1	0	1	28 dB

0 = VIN Low = 0 V to -0.2 V @ 20  $\mu\text{A}$  maximum.  
1 = VIN High = -5 V @ 10  $\mu\text{A}$  typical to -8 V @ 200  $\mu\text{A}$  maximum.

**ADVANCED:** Data Sheets contain information regarding a product M/A-COM Technology Solutions is considering for development. Performance is based on target specifications, simulated results, and/or prototype measurements. Commitment to develop is not guaranteed.  
**PRELIMINARY:** Data Sheets contain information regarding a product M/A-COM Technology Solutions has under development. Performance is based on engineering tests. Specifications are typical. Mechanical outline has been fixed. Engineering samples and/or test data may be available. Commitment to produce in volume is not guaranteed.

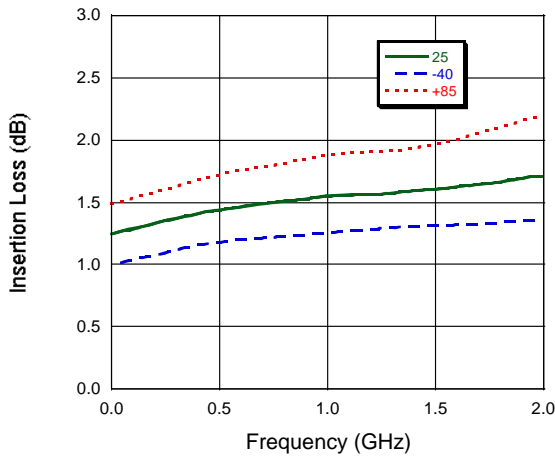
- **North America** Tel: 800.366.2266 / Fax: 978.366.2266
- **Europe** Tel: 44.1908.574.200 / Fax: 44.1908.574.300
- **Asia/Pacific** Tel: 81.44.844.8296 / Fax: 81.44.844.8298

Visit [www.macomtech.com](http://www.macomtech.com) for additional data sheets and product information.

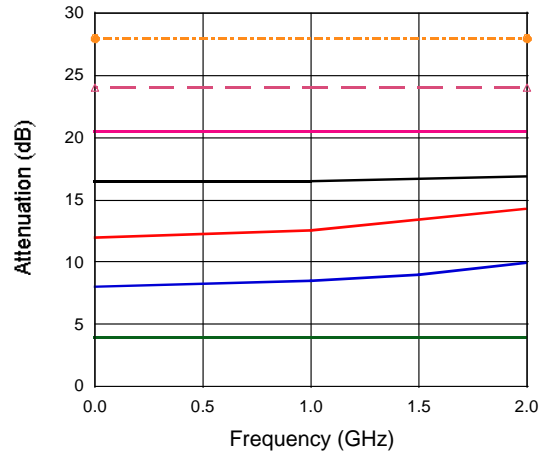
M/A-COM Technology Solutions Inc. and its affiliates reserve the right to make changes to the product(s) or information contained herein without notice.

## Typical Performance Curves

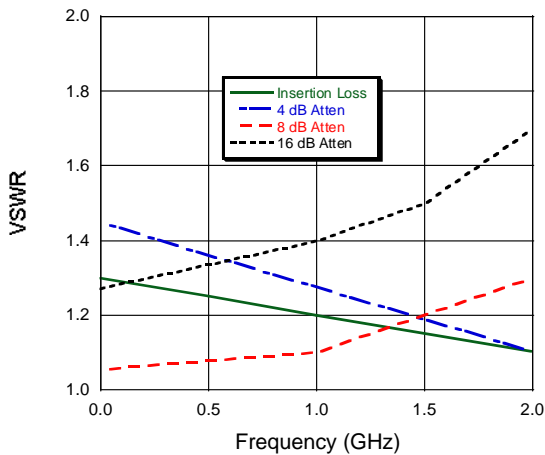
**Insertion Loss**



**Attenuation**



**VSWR**



**Attenuation Accuracy**

