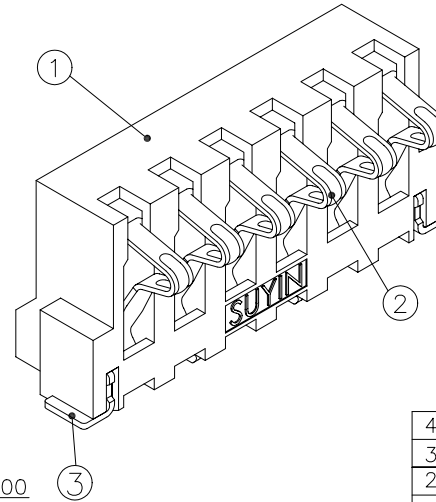
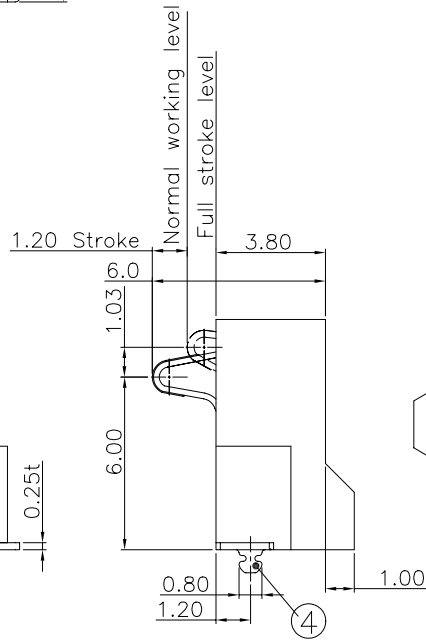
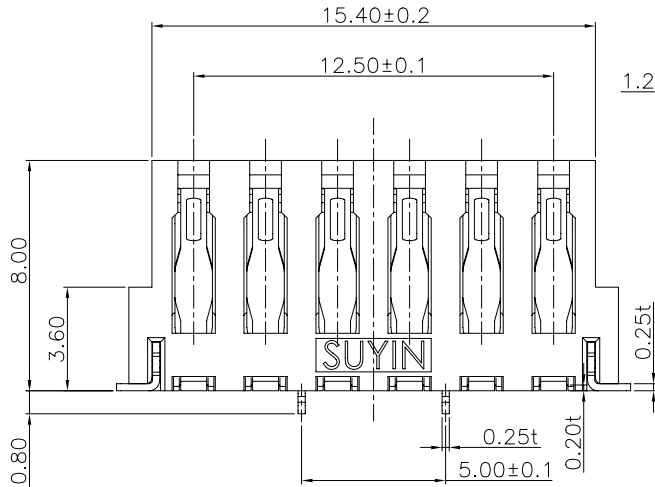
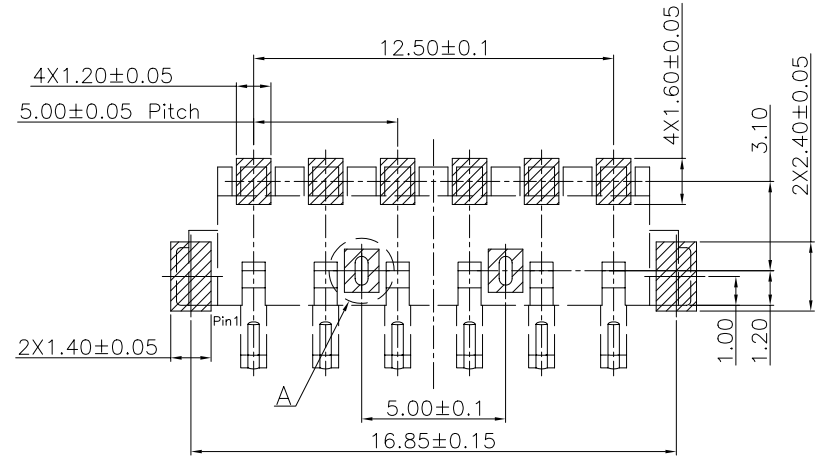
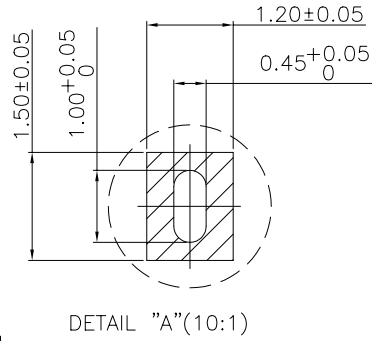
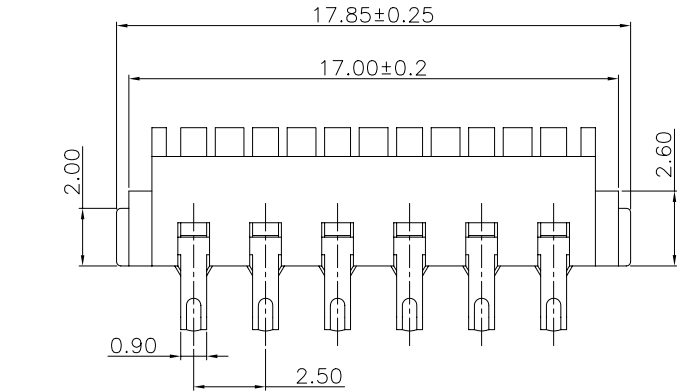


Note:

- 1.Push force $100 \pm 10g$
- 2.Rated current 2.0 ampere(Min)
- 3.Contact Resistance $\leq 20 \text{ m}\Omega$

Recommended P.C.B. Layout(Component Side)
P.C.B Thickness = 0.8mm (Tolerance= ± 0.05)



NOTE:
250042MB006□□01ZR
1

- 1.Selective plating
G1-05u" gold over nickel
G2-Indicate gold flash
G3-10u" gold over nickel
G4-15u" gold over nickel
G5-30u" gold over nickel

NO.	DESCRIPTION	MATERIAL	COLOR	REMARK
4	Fork	Brass	—	Tin plated
3	Latch	Pho.Bronze	—	Tin plated
2	Terminal	Pho.Bronze	—	Selective Gold
1	Plastic	High Temp.Plastic	Black	UL 94V-0

SUYIN
CONNECTOR

CUSTOMER COPY TITLE: 2.50 Pitch Spring Battery Connector

PART NO. 250042MB006GX01ZR

PART NO. (OLD)

DRAWING NO. $\frac{D}{ING}$ 250042MB006GX01ZR

SCALE 4:1 UNIT mm A4

ECN (DCN) NO.	REV	DATE	DESCRIPTION	CHANGE	APPRO.	GENERAL TOLERANCE UNLESS OTHERWISE NOTED
	0		NEW			Angle $\pm 2^\circ$ 30 ~ ± 0.50 10 ~ 30 ± 0.30 ~ 10 ± 0.15

DRAW	DESIGN	CHECK	APPRO.