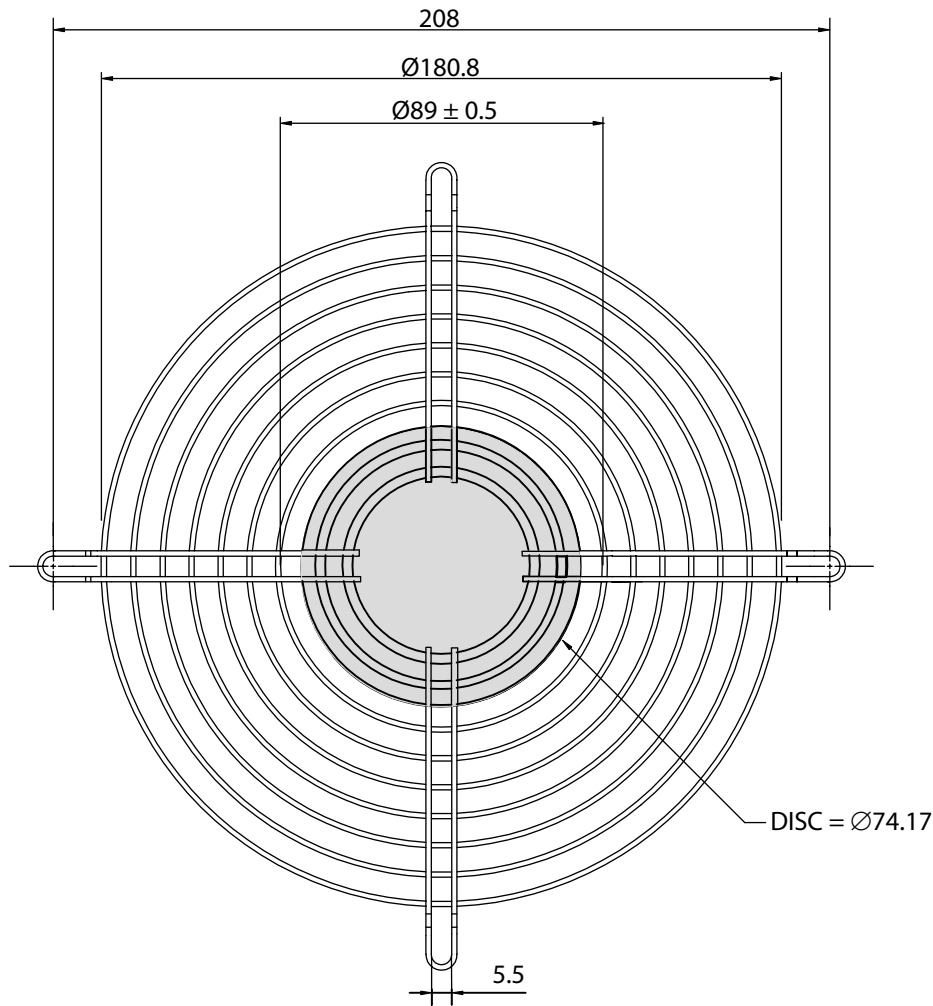


REVISION			
REV.	DESCRIPTION	DATE	APPROVED
B	RoHS Compliancy	06-01-06	DP



NOTES:

1. MATERIAL: SUS304 BRIGHT BASIC WIRE
2. FINISH: ELECTROLYSIS
3. 0.35 ± 0.05 DEPTH OF SERRATIONS ON WIRE
4. RINGS: $\varnothing 1.6 \pm 0.1$ mm
RIBS: $\varnothing 1.6 \pm 0.1$ mm
DISC = $\varnothing 74.17$ T=0.8mm
5. GENERAL TOLERANCE UNLESS NOTED IS ± 0.9 mm
6. RoHS COMPLIANT

CONTROLLED



THESE DRAWINGS ARE THE PROPERTY OF QUALTEK ELECTRONICS AND NOT TO BE REPRODUCED FOR OR COMMUNICATED TO A THIRD PARTY WITHOUT THE EXPRESS WRITTEN PERMISSION OF AN OFFICER OF QUALTEK ELECTRONICS.

Dim range (mm)	Tolerance +/- (mm)	Qualtek Electronics Corp. FAN-S DIVISION		
		Part Number: 08243-SS		RoHS Compliant
0-5	0.1	Description: WIRE FORM FAN GUARD (254mm)		
5-16	0.15	UNIT: mm		
16-64	0.2	REV: B		
64-250	0.4	Drawn / Date	Checked / Date	Approved / Date
250-1000	0.5	B. ZHANG 12-06-04	12-06-04	JJH / 12-06-04
1000-1500	1.0			