



TRANSMIT / RECEIVER FILTER APPLY TO  
GENERIC IC

### P/N:FB2022 DATA SHEET

#### Feature



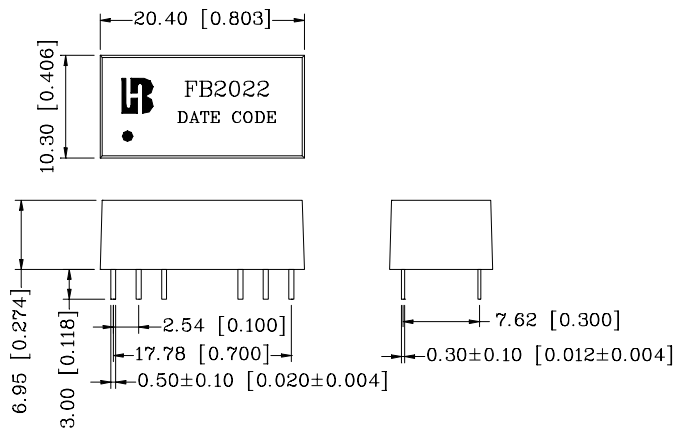
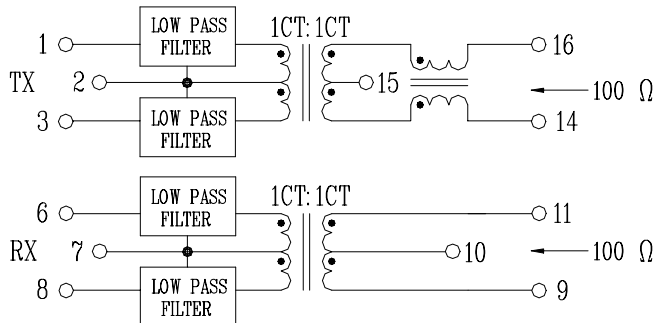
- Designed for transmit/receiver filter.
- Operating temperature range :0°C to +70°C.
- Storage temperature range: -25°C to +125°C.

Electrical Specifications @ 25°C				
Part Number	Turns Ratio		CUT-OFF Frequency	HI-POT (Vrms)
	TX	RX		
FB2022	1CT:1CT	1CT:1CT	17MHz±1.5MHz	1500

Continue						
Part Number	Insertion Loss TX/RX(dB Max)	Attenuation TX/RX(dB Min)			Return Loss TX/RX(dB Min)	Cross talk Attenuation (dB Min)
	1-10MHz	20MHz	30MHz	40MHz	1-12MHz	1-10MHz
FB2022	-1.0	-6.8/-4.2	-27/-20	-32/-32	-15/-15	-30

#### Schematic

#### Mechanical



Units: mm[Inches] Tolerances: xx.x0±0.25[0.010]  
0.xx±0.05[0.002]