

# Impedance Matching Pads

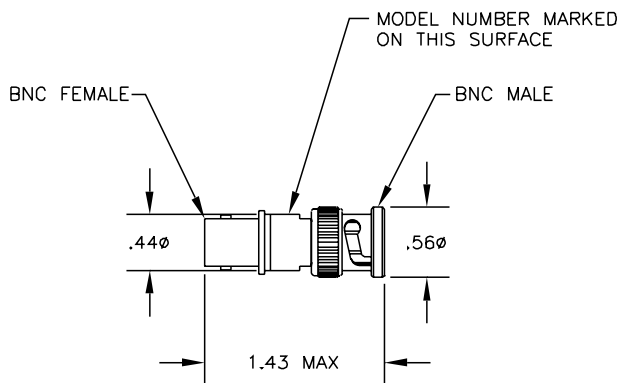
| Model  | Frequency Range | Impedance*                     | Attenuation Loss   | VSWR (maximum)                            |
|--------|-----------------|--------------------------------|--|---|
| 57Z    | DC-1000 MHz     | 50 Ohms male<br>75 Ohms female | 5.7 dB +/- 0.5 dB  | 1.2:1                                     |
| 75Z    | DC-1000 MHz     | 75 Ohms male<br>50 Ohms female | 5.7 dB +/- 0.5 dB  | 1.2:1                                     |
| 57Z-2G | DC-2000 MHz     | 50 Ohms male<br>75 Ohms female | 5.7 dB +/- 0.5 dB  | 1.2:1 DC-1000 MHz<br>1.3:1 1000-2000 MHz  |
| 75Z-2G | DC-2000 MHz     | 75 Ohms male<br>50 Ohms female | 5.7 dB +/- 0.5 dB  | 1.2:1 DC-1000 MHz<br>1.3:1 1000-2000 MHz  |
| 57Z-3G | DC-3000 MHz     | 50 Ohms male<br>75 Ohms female | 5.7 dB +/- 0.3 dB DC-1500 MHz<br>5.7 dB +/- 0.5 dB 1500-3000 MHz | 1.2:1 DC-1500 MHz<br>1.35:1 1500-3000 MHz |
| 75Z-3G | DC-3000 MHz     | 75 Ohms male<br>50 Ohms female | 5.7 dB +/- 0.3 dB DC-1500 MHz<br>5.7 dB +/- 0.5 dB 1500-3000 MHz | 1.2:1 DC-1500 MHz<br>1.35:1 1500-3000 MHz |

**\* OTHER IMPEDANCES AVAILABLE - PLEASE CONTACT THE FACTORY**

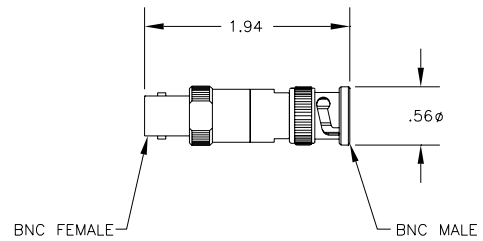
## Common Specifications

| Input Power                       | Operating Temperature | RF Connectors - 50 Ohm Side | RF Connectors - 75 Ohm Side |
|-----------------------------------|-----------------------|-----------------------------|-----------------------------|
| 1 Watt average<br>1000 Watts peak | -20° C to +85° C      | BNC, TNC, N or SMA          | BNC, TNC, N or F            |

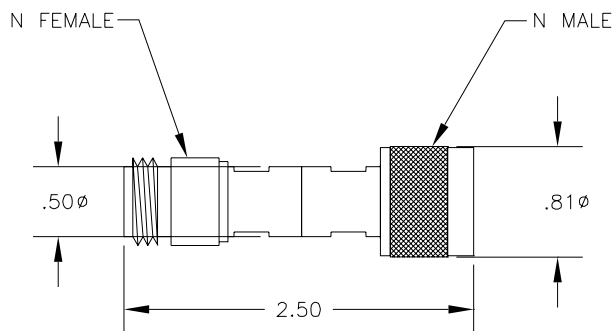
**57Z / 75Z BNC**



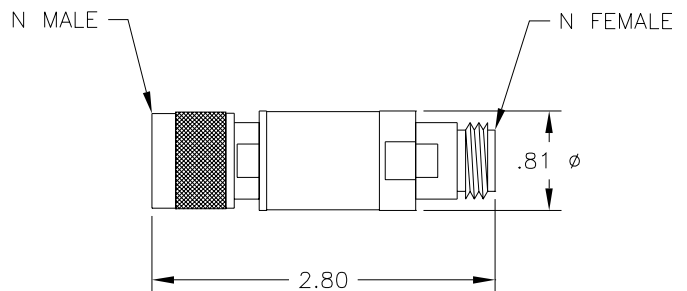
**57Z-2G / 75Z-2G BNC**



**57Z / 75Z / 57Z-2G / 75Z-2G N**



**57Z-3G / 75Z-3G N**



This represents only 10% of our products. For YOUR application, contact JFW at 1-877-887-4JFW or sales@jfwindustries.com