

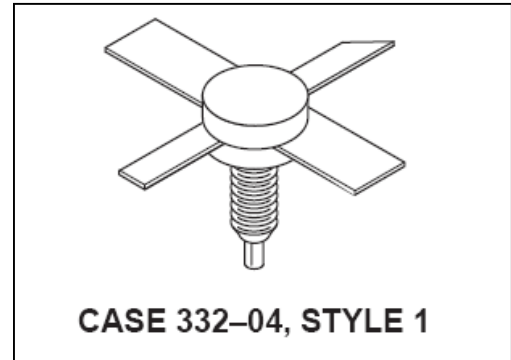
## Microwave Pulse Power Silicon NPN Transistor 90W (peak), 960–1215MHz

M/A-COM Products  
Released - Rev. 07.07

### Product Image

Designed for Class B and C common base amplifier applications in short pulse TACAN, IFF, and DME transmitters.

- Guaranteed performance @ 1090 MHz, 50 Vdc  
Output power = 90 W peak  
Minimum gain = 8.4 dB
- 100% tested for load mismatch at all phase angles with 10:1 VSWR
- Industry standard package
- Nitride passivated
- Gold metallized for long life and resistance to metal migration
- Internal input matching for broadband operation



### MAXIMUM RATINGS

Rating	Symbol	Value	Unit
Collector–Base Voltage	$V_{CBO}$	70	Vdc
Emitter–Base Voltage	$V_{EBO}$	4.0	Vdc
Collector–Current — Peak (1)	$I_C$	6.0	Adc
Total Device Dissipation @ $T_C = 25^\circ\text{C}$ (1) (2) Derate above $25^\circ\text{C}$	$P_D$	290 1.66	Watts $\text{W}/^\circ\text{C}$
Storage Temperature Range	$T_{stg}$	-65 to +150	$^\circ\text{C}$

### THERMAL CHARACTERISTICS

Characteristic	Symbol	Max	Unit
Thermal Resistance, Junction to Case (3)	$R_{\theta JC}$	0.6	$^\circ\text{C}/\text{W}$

### ELECTRICAL CHARACTERISTICS ( $T_C = 25^\circ\text{C}$ unless otherwise noted)

Characteristic	Symbol	Min	Typ	Max	Unit
----------------	--------	-----	-----	-----	------

### OFF CHARACTERISTICS

Collector–Emitter Breakdown Voltage ( $I_C = 25 \text{ mAdc}$ , $V_{BE} = 0$ )	$V_{(BR)CES}$	70	—	—	Vdc
Collector–Base Breakdown Voltage ( $I_C = 25 \text{ mAdc}$ , $I_E = 0$ )	$V_{(BR)CBO}$	70	—	—	Vdc
Emitter–Base Breakdown Voltage ( $I_E = 5.0 \text{ mAdc}$ , $I_C = 0$ )	$V_{(BR)EBO}$	4.0	—	—	Vdc
Collector Cutoff Current ( $V_{CB} = 50 \text{ Vdc}$ , $I_E = 0$ )	$I_{CBO}$	—	—	5.0	mAdc

### ON CHARACTERISTICS

DC Current Gain (4) ( $I_C = 2.5 \text{ Adc}$ , $V_{CE} = 5.0 \text{ Vdc}$ )	$h_{FE}$	10	30	—	—
---	----------	----	----	---	---

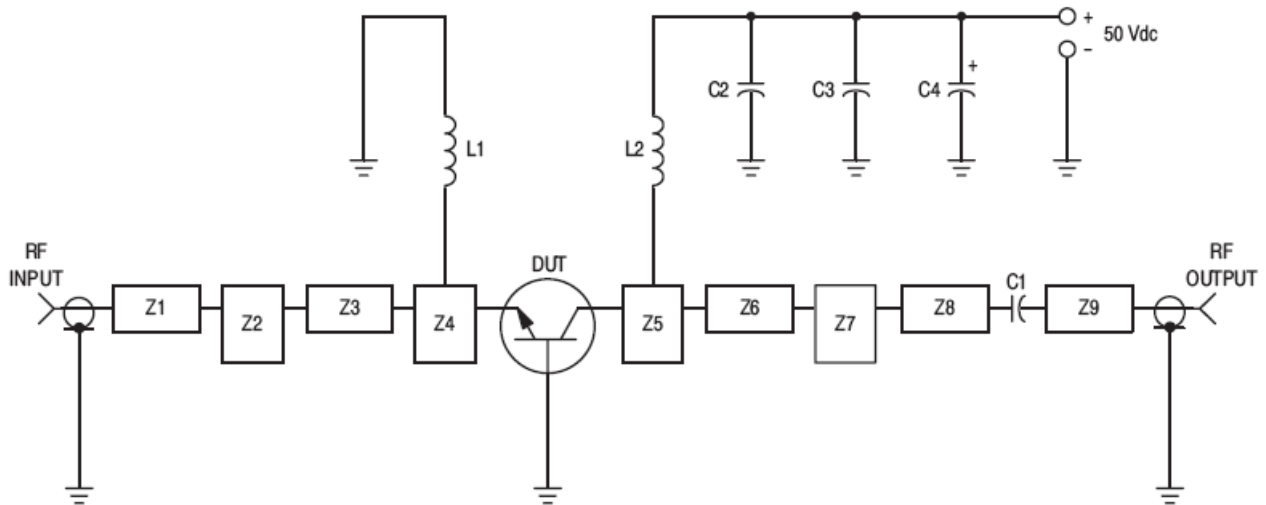
### NOTES:

1. Pulse Width = 10  $\mu\text{s}$ , Duty Cycle = 1%.
2. This device is designed for RF operation. The total device dissipation rating applies only when the device is operated as an RF amplifier.
3. Thermal Resistance is determined under specified RF operating conditions by infrared measurement techniques.
4. 80  $\mu\text{s}$  Pulse on Tektronix 576 or equivalent.

(continued)

**ELECTRICAL CHARACTERISTICS — continued** ( $T_C = 25^\circ\text{C}$  unless otherwise noted)

Characteristic	Symbol	Min	Typ	Max	Unit
<b>DYNAMIC CHARACTERISTICS</b>					
Output Capacitance ( $V_{CB} = 50\text{ Vdc}$ , $I_E = 0$ , $f = 1.0\text{ MHz}$ )	$C_{ob}$	—	12	16	pF
<b>FUNCTIONAL TESTS</b> (Pulse Width = $10\ \mu\text{s}$ , Duty Cycle = 1.0%)					
Common-Base Amplifier Power Gain ( $V_{CC} = 50\text{ Vdc}$ , $P_{out} = 90\text{ W pk}$ , $f = 1090\text{ MHz}$ )	$G_{PB}$	8.4	10.8	—	dB
Collector Efficiency ( $V_{CC} = 50\text{ Vdc}$ , $P_{out} = 90\text{ W pk}$ , $f = 1090\text{ MHz}$ )	$\eta$	35	40	—	%
Load Mismatch ( $V_{CC} = 50\text{ Vdc}$ , $P_{out} = 90\text{ W pk}$ , $f = 1090\text{ MHz}$ , VSWR = 10:1 All Phase Angles)	$\psi$	No Degradation in Power Output			



C1, C2 — 220 pF Chip Capacitor, 100-mil ATC  
 C3 — 0.1  $\mu\text{F}$   
 C4 — 47  $\mu\text{F}/75\text{ V}$   
 L1, L2 — 3 Turns #18 AWG, 1/8" ID  
 Z1–Z9 — Distributed Microstrip Elements,  
 See Photomaster  
 Board Material — 0.031" Thick Glass Teflon,  $\epsilon_r = 2.5$

**Figure 1. 1090 MHz Test Circuit**

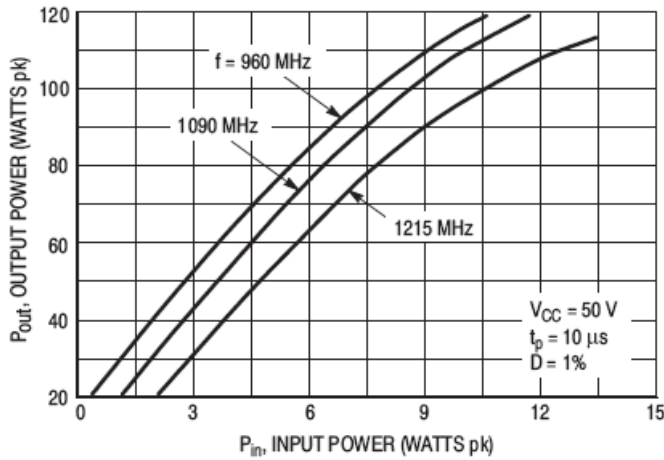


Figure 2. Output Power versus Input Power

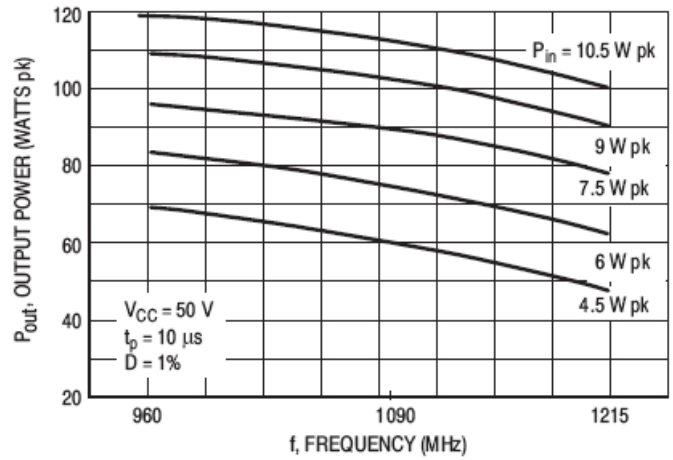


Figure 3. Output Power versus Frequency

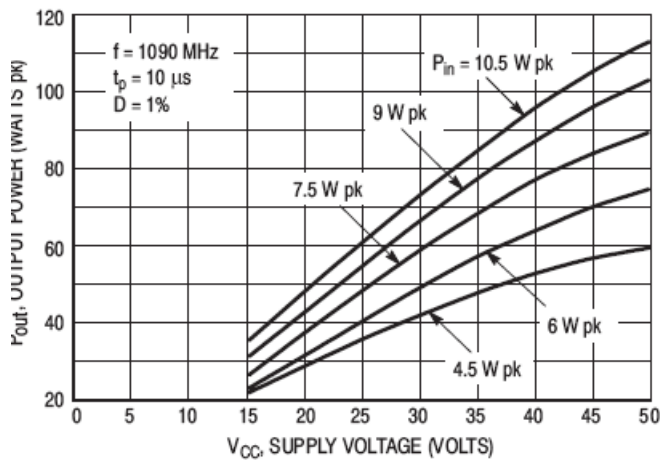


Figure 4. Output Power versus Supply Voltage

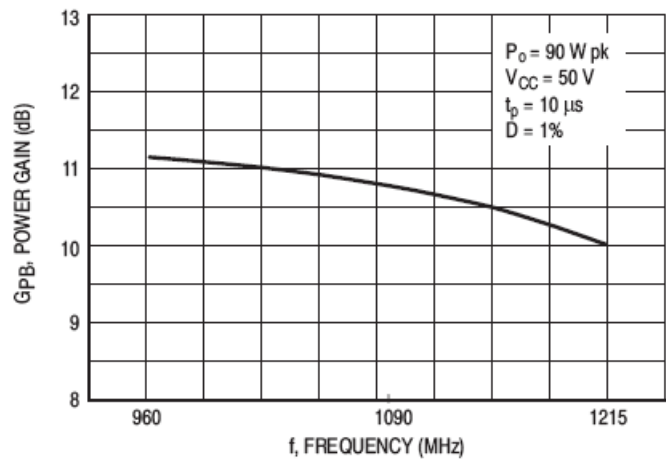
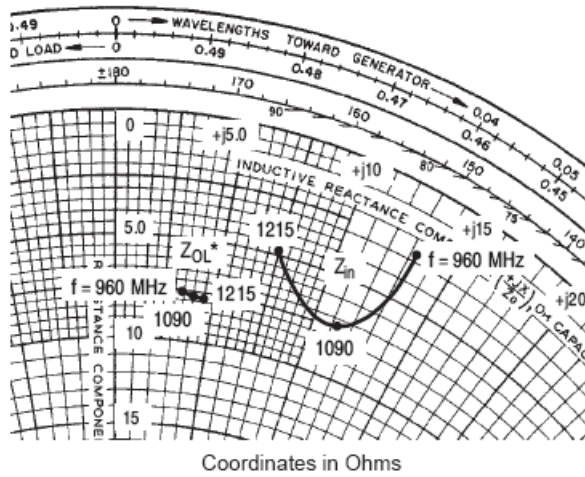


Figure 5. Power Gain versus Frequency



$P_{out} = 90 \text{ W pk}$     $V_{CC} = 50 \text{ V}$   
 $t_p = 10 \mu\text{s}$     $D = 1\%$

f MHz	$Z_{in}$ Ohms	$Z_{OL}^*$ Ohms
960	$2.8 + j13.2$	$7.6 + j3.5$
1090	$7.4 + j11.4$	$7.6 + j4.0$
1215	$4.7 + j7.5$	$7.7 + j4.5$

$Z_{OL}^*$  = Conjugate of the optimum load impedance into which the device output operates at a given output power, voltage, and frequency.

Figure 6. Series Equivalent Input/Output Impedance

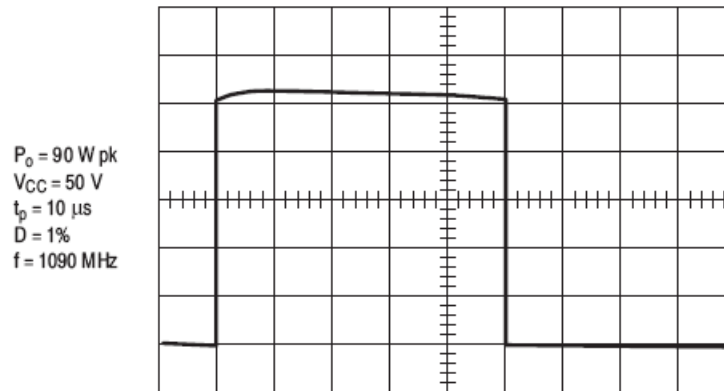


Figure 7. Typical Pulse Performance

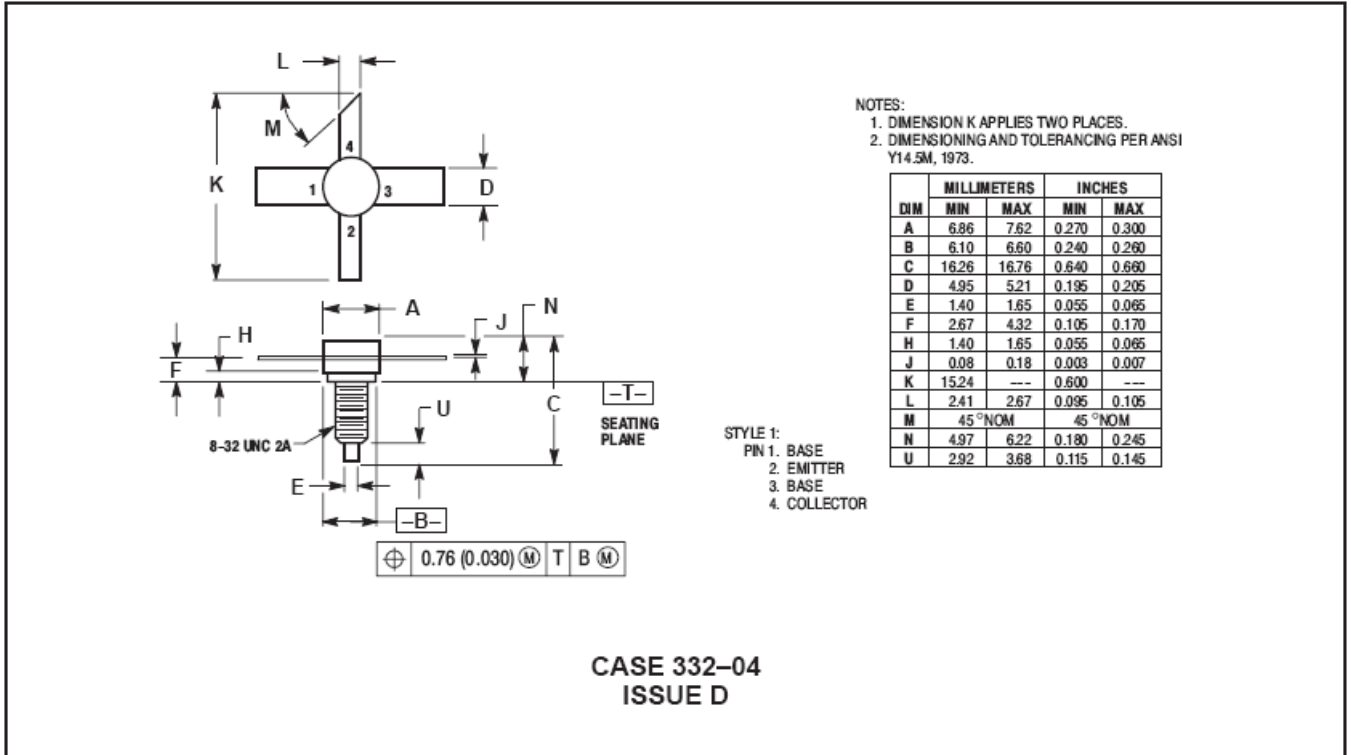
# MRF1090MA



Microwave Pulse Power Silicon NPN Transistor  
90W (peak), 960–1215MHz

M/A-COM Products  
Released - Rev. 07.07

## PACKAGE DIMENSIONS



**ADVANCED:** Data Sheets contain information regarding a product M/A-COM Technology Solutions is considering for development. Performance is based on target specifications, simulated results, and/or prototype measurements. Commitment to develop is not guaranteed.  
**PRELIMINARY:** Data Sheets contain information regarding a product M/A-COM Technology Solutions has under development. Performance is based on engineering tests. Specifications are typical. Mechanical outline has been fixed. Engineering samples and/or test data may be available. Commitment to produce in volume is not guaranteed.

- **North America** Tel: 800.366.2266 / Fax: 978.366.2266
- **Europe** Tel: 44.1908.574.200 / Fax: 44.1908.574.300
- **Asia/Pacific** Tel: 81.44.844.8296 / Fax: 81.44.844.8298

Visit [www.macomtech.com](http://www.macomtech.com) for additional data sheets and product information.

M/A-COM Technology Solutions Inc. and its affiliates reserve the right to make changes to the product(s) or information contained herein without notice.