

Features

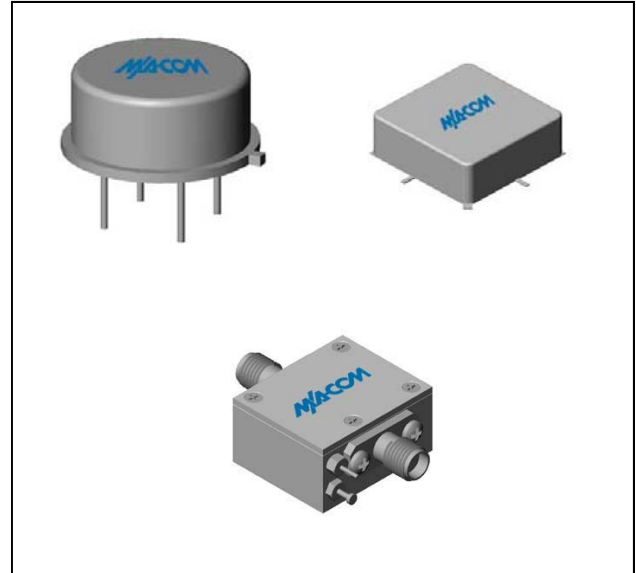
- AVAILABLE IN SURFACE MOUNT
- WIDE TEMPERATURE OPERATION
- YIELDS LINEAR ATTENUATION (dB) FOR LINEAR CONTROL VOLTAGE

Ordering Information

Part Number	Package
LG30	TO-8
MAHY-008743-SMLG30	Surface Mount
MAHY-008743-OCLG30	SMA Connectorized **

** The connectorized version is not RoHs compliant.

Product Image



Linearity Specifications: Frequency: 100 - 2000 MHz, attenuation range: 3 to 25 dB

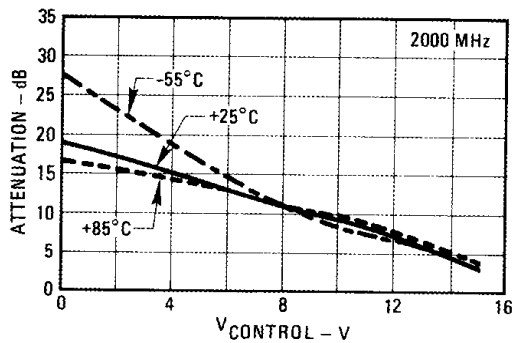
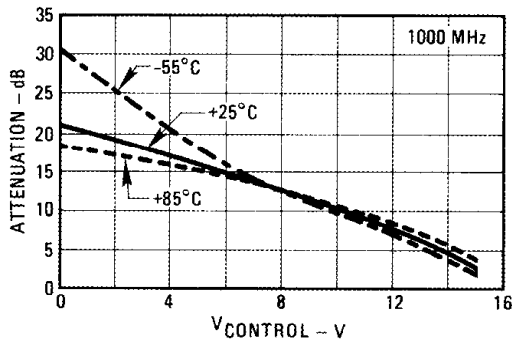
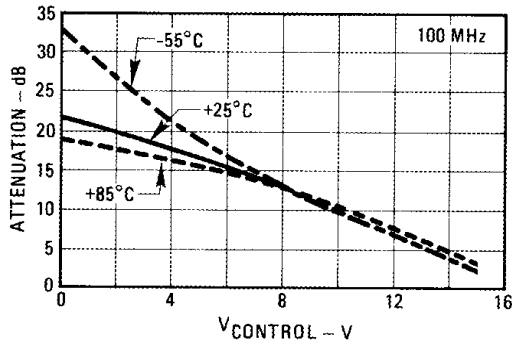
Temperature	Units	Typical	Guaranteed Max.
25°C	dB	±1.0	±1.5
-54°C to +85°C	dB	< ±1.5	±2.0

Typical Current Drain

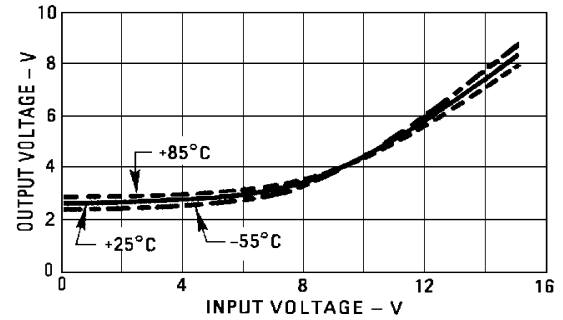
	Units	Control Voltage= 0 V (Min. Attenuation)	Control Voltage= 15 V (Max. Attenuation)
V-	mA	3	15
V+	mA	5	14
V _{CON}	mA	6	12
Combination of LG30 Plus G30			
V-	mA	3	15
V+	mA	12	21
V _{CON}	mA	6	12

Typical Performance Curves

Attenuation vs. $V_{Control}$



V_{Out} vs. $V_{Control}$



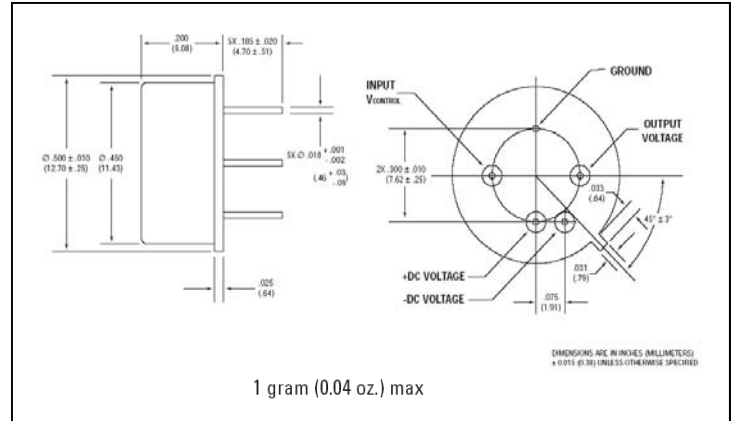
Absolute Maximum Ratings

Parameter	Absolute Maximum
Storage Temperature	-62°C to +125°C
Maximum Case Temperature	125°C
Maximum DC Voltage	+17 Volts
"S" Series Burn-in Temperature (Case)	125°C

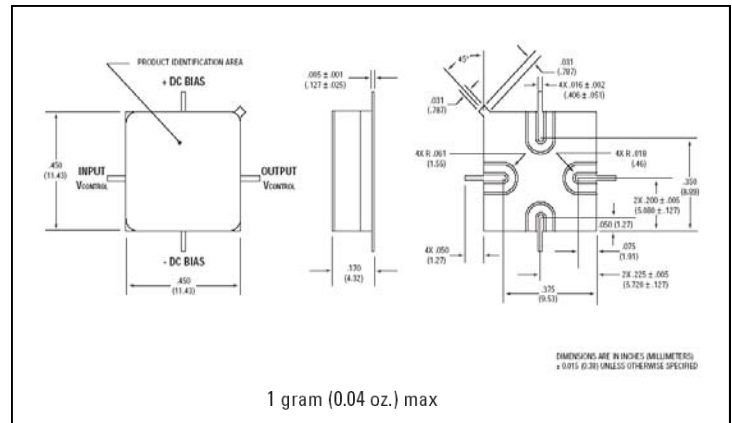
In the G30 module is a voltage controlled voltage source. The LG30 is designed to drive the G30, a voltage controlled attenuator module. The combination of the LG30 and the G30 modules has a typical attenuation characteristic which is linear with control voltage provided the following conditions are met:

1. Positive supply = $15V \pm 1\%$
 2. Negative supply = $-15V \pm 1\%$
 3. Source resistance of variable supply $\leq 1 \Omega$
- The LG30 has a response time of $2 \mu s$ over its entire band of control voltage. The response time of the G30 is typically $0.2 \mu s$.

Outline Drawing: TO-8



Outline Drawing: Surface Mount



Outline Drawing: SMA Connectorized

