


PRODUCT SPECIFICATION

DATE:08/25/2006

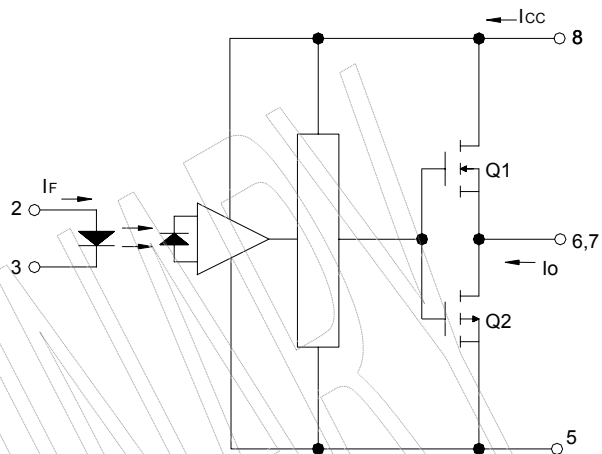
	Photocoupler: <h2>KTLP350</h2>	No.60P32002	Preliminary
		SHEET 1 OF 8	

※THE KTLP250 BUILT- IN DIRECT DRIVE CIRCUIT FOR GATE DRIVING CIRCUIT OF IGBT OR POWER MOSFET.

• Feature:

- 1.This unit is 8.lead DIP package.
- 2.Input threshold current: $I_F=5\text{mA}(\text{max.})$
- 3.Supply current (I_{CC}): $2\text{mA}(\text{max.})$
- 4.Supply voltage (V_{CC}): $10 - 30\text{V}$
- 5.Output current (I_O): $\pm 2.5\text{A}(\text{max.})$
- 6.Switching time (t_{pLH}/t_{pHL}): $0.5\mu\text{s}(\text{max.})$
- 7.Isolation voltage: $3750\text{Vrms}(\text{min.})$

■ Functional Diagram



• Applications:

- 1.Transistor Inverter
- 2.Inverter For Air Conditionor
- 3.IGBT Gate Drive
- 4.Power MOS FET Gate Drive
- 5.IH(Induction Heating)

■ Truth Table

LED	OUTPUT	Q1	Q2
ON	HIGH LEVEL	ON	OFF
OFF	LOW LEVEL	OFF	ON

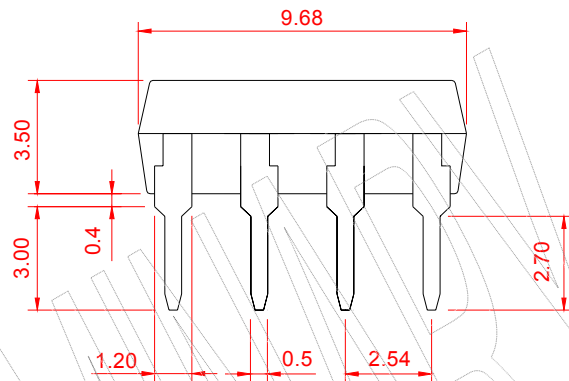
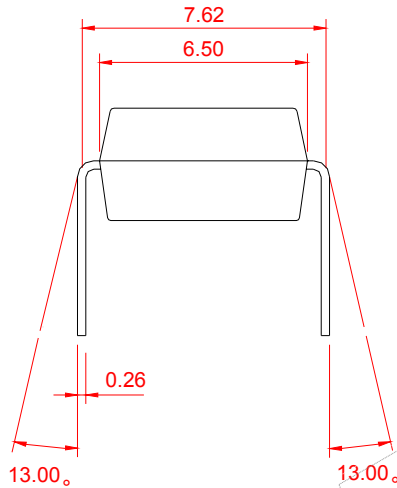
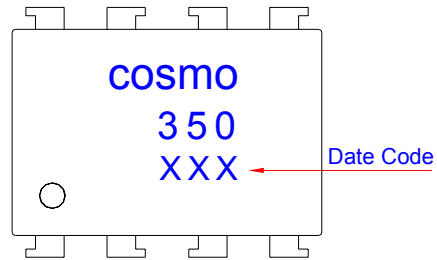
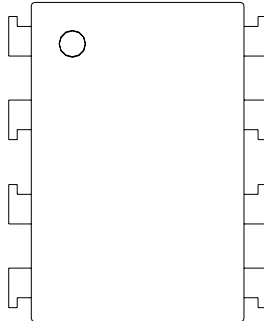
* The use of a $0.1\mu\text{F}$ bypass capacitor must be connected between pins 8 and 5 is recommended.

PRODUCT SPECIFICATION

DATE:08/25/2006

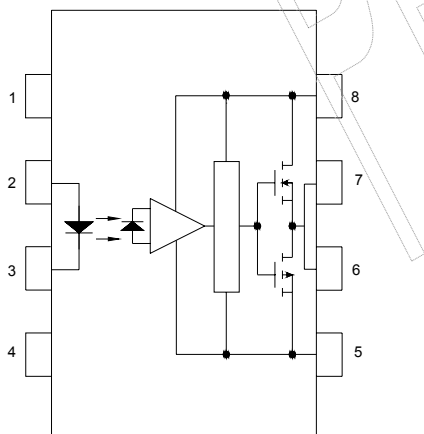
cosmo ELECTRONICS CORPORATION	Photocoupler: KTLP350	No.60P32002	Preliminary
		SHEET 2 OF 8	

1. Output Dimensions : Unit (mm)



TOLERANCE : ± 0.2 mm

2. KTLP350 Top View:



Pin 1:	N.C.
Pin 2:	Anode
Pin 3:	Cathode
Pin 4:	N.C.
Pin 5:	GND
Pin 6:	Vo (Voltage Output)
Pin 7:	Vo (Voltage Output)
Pin 8:	Vcc

PRODUCT SPECIFICATION

DATE:08/25/2006

cosmo ELECTRONICS CORPORATION	Photocoupler: <h2>KTLP350</h2>	No.60P32002	Preliminary
		SHEET 3 OF 8	

Absolute Maximum Ratings (Ta = 25°C)

Parameter		Symbol	Rating	Unit	
Input	Forward Current	I_F	20	mA	
	Forward Current Derating(Ta \geq 70°C)	$\Delta I_F / \Delta T_a$	-0.54	mA / °C	
	Peak Transient Forward Current (*Note 1)	I_{FPT}	1	A	
	Reverse Voltage	V_R	5	V	
	Junction Temperature	T_j	125	°C	
Output	"H"Peak Output Current(Pw \leq 2.5 μ s,f \leq 15kHz) (*Note 2)		I_{OPH}	\leq 2.5	A
	"L"Peak Output Current(Pw \leq 2.5 μ s,f \leq 15kHz) (*Note 2)		I_{OPL}	+2.5	A
	Output Voltage	(Ta < 95°C)	V_O	35	V
	Supply Voltage	(Ta < 95°C)	V_{CC}	35	V
	Output Voltage Derating (Ta \geq 95°C)		$\Delta V_O / \Delta T_a$	-1.0	V / °C
	Supply Voltage Derating(Ta \geq 95°C)		$\Delta V_{CC} / \Delta T_a$	-1.0	V / °C
	Junction Temperature		T_j	125	°C
Operating Frequency (*Note 3)		f	50	KhZ	
Operating Temperature Range		T_{opr}	-40~100	°C	
Storage Temperature Range		T_{stg}	-55~125	°C	
Lead Soldering Temperature(10s) (*Note 4)		T_{sol}	260	°C	
Isolation Voltage (AC,1min.,R.H \leq 60%) (*Note 5)		BVs	3750	Vrms	

*Note1:Pulse width Pw \leq 1 μ s,300pps.

*Note2:Exponential waveform pulse width Pw \leq 0.3 μ s,f \leq 15kHz.

*Note3:Exponential waveform, $I_{OPH} \geq -2.0A (\leq 0.3\mu s)$, $I_{OPL} \leq +2.0A (\leq 0.3\mu s)$.

*Note4:It IS 2 mm or more from a lead root.

*Note5:Device considered a two terminal device: Pin1,2,3 and 4 shorted together,
and pins 5,6,7 and 8 shorted together.

PRODUCT SPECIFICATION

DATE:08/25/2006

cosmo ELECTRONICS CORPORATION	Photocoupler: KTLP350	No.60P32002	Preliminary
		SHEET 4 OF 8	

■ Electrical Characteristics (Ta = -40~100°C, unless otherwise specified)

Parameter	Symbol	Test Circuit	Test Condition	Min.	Typ.	Max.	Unit	
Input forward voltage	V _F	—	IF=10mA, Ta=25°C	—	1.6	1.8	V	
Temperature coefficient of forward voltage	$\Delta V_F / \Delta T_a$	—	IF=10mA	—	-2.0	—	mV/°C	
Input reverse current	I _R	—	VR=5V, Ta=25°C	—	—	10	μA	
Input capacitance	C _T	—	V=0, f=1MHz, Ta=25°C	—	45	250	pF	
Output current (*A)	“H” level	I _{OPH}	3	VCC=30V IF=5mA Vb=-3.5V	—	-1.6	-1.0	A
				VCC=15V IF=5mA Vb=-7.0V	—	—	-2.0	
	“L” level	I _{OPL}	2	VCC=30V IF=0mA Va=2.5V	1.0	1.6	—	
				VCC=15V IF=0mA Vb=7.0V	2.0	—	—	
Output voltage	“H” level	V _{OH}	4	VCC1=15V, VEE1=-15V RL=200Ω, IF=5mA	11	13.7	—	V
	“L” level	V _{OL}	5	VCC1=15V, VEE1=-15V RL=200Ω, VF=0.8V	—	-14.9	-12.5	
Supply current	“H” level	I _{CCH}	—	VCC=30V, IF=10mA, Ta=25°C	—	1.3	2.0	mA
	“L” level	I _{CCL}	—	VCC=30V, IF=0mA, Ta=25°C	—	1.3	2.0	
Threshold input current	“Output L→H”	I _{FLH}	—	VCC=15V, Vo>1V, Io=0mA	—	1.8	5	mA
Threshold input voltage	“Output H→L”	V _{FHL}	—	VCC=15V, Vo>1V, Io=0mA	0.8	—	—	V
Supply voltage	V _{CC}	—	—	10	—	30	V	
Capacitance (input-output)	C _S	—	Vs=0, f=1MHz, Ta=25°C	—	1.0	2.0	pF	
Resistance (input-output)	R _S	—	Vs=500V, Ta=25°C, R.H. ≤60%	1*10 ¹²	10 ¹⁴	—	Ω	

* All typical values are at Ta=25°C (*A):Duration of I_o time ≤ 50μs(1 Pulse)

PRODUCT SPECIFICATION

DATE:08/25/2006

cosmo ELECTRONICS CORPORATION	Photocoupler: <h2>KTLP350</h2>	No.60P32002	Preliminary
		SHEET 5 OF 8	

■ Switching Characteristics (Ta = -20~70°C, unless otherwise specified)

Parameter	Symbol	Test Circuit	Test Condition	Min.	Typ.	Max.	Unit
Propagation delay time	"L→H"	t_{pLH}	IF=5mA (Note8) VCC1=+15V, VEE1=-15V RL=20Ω	50	260	500	μs
	"H→L"	t_{pHL}		50	260	500	
Output rise time	t_r	6		—	15	—	
Output fall time	t_f			—	8	—	
Common mode transient immunity at high level output	C_{MH}	7	V _{CM} =600V, I _F =8mA V _{CC} =30V, Ta=25°C	-5	—	—	KV / μs
Common mode transient immunity at low level output	C_{ML}	7	V _{CM} =600V, I _F =0 V _{CC} =30V, Ta=25°C	5	—	—	KV / μs

* All typical values are at Ta=25°C.

*Note 8: Input signal rise time (fall time) < 0.5μs.

PRODUCT SPECIFICATION

DATE:08/25/2006

cosmo ELECTRONICS CORPORATION	Photocoupler: KTLP350	No.60P32002	Preliminary
		SHEET 6 OF 8	

■ Test Circuit:

Fig.1 : Top View

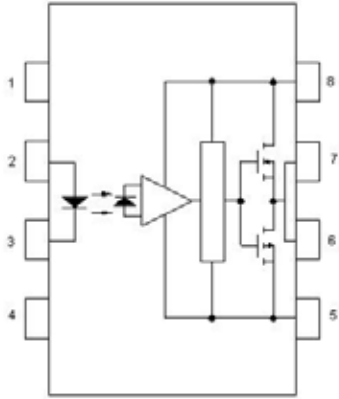


Fig.2 : I_{OPL} Measure.

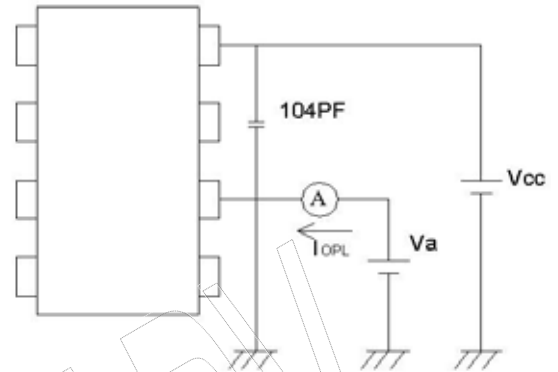


Fig.3 : I_{OPH} Measure.

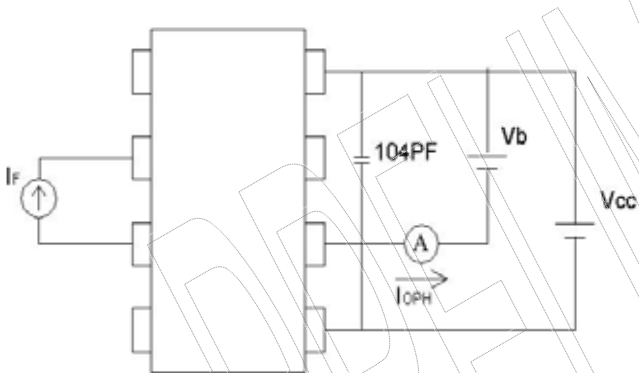


Fig.4 : V_{OH} Measure.

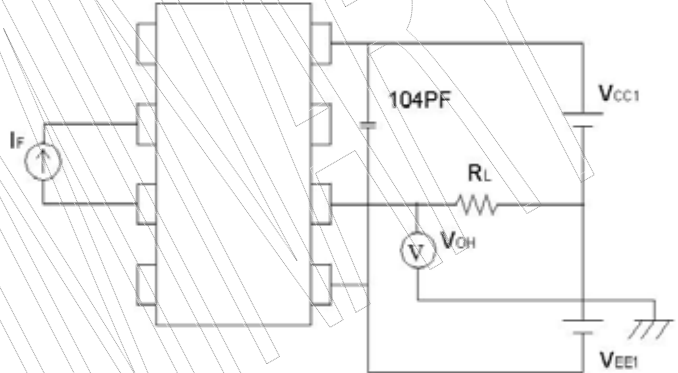
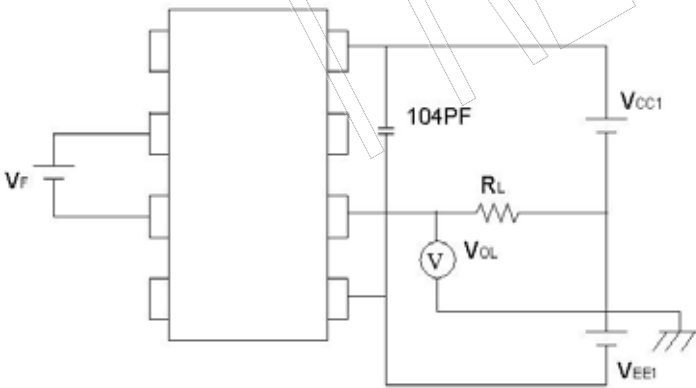


Fig.5 : V_{OL} Measure.



PRODUCT SPECIFICATION

DATE:08/25/2006

cosmo ELECTRONICS CORPORATION	Photocoupler: KTLP350	No.60P32002	Preliminary
		SHEET 7 OF 8	

Fig.6: $t_{pLH}, t_{pHL}, t_r, t_f$ Measure.

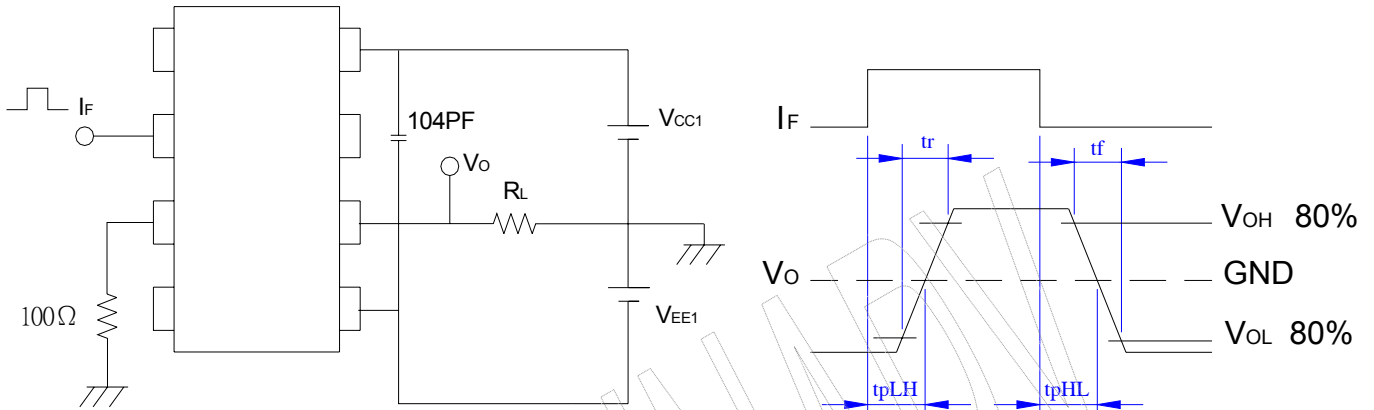
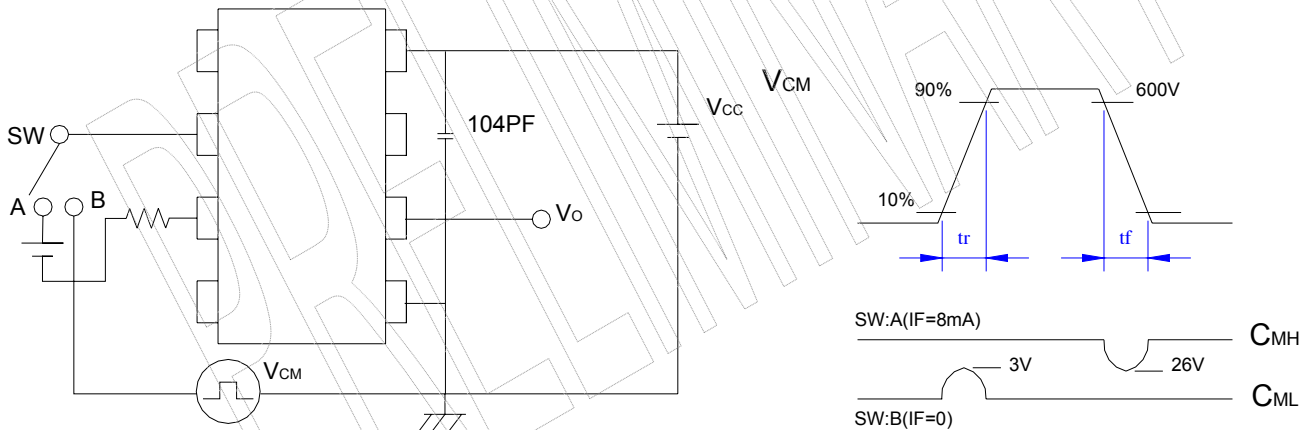


Fig.7: C_{MH}, C_{ML} .



$$C_{ML} = \frac{480(V)}{t_r (\mu s)} ; C_{MH} = \frac{480(V)}{t_f (\mu s)}$$

* $C_{ML}(C_{MH})$ is the maximum rate of rise (fall) of the common mode voltage that can be sustained with the output voltage in the low (high) state.

PRODUCT SPECIFICATION

DATE:08/25/2006

cosmo ELECTRONICS CORPORATION	Photocoupler: KTLP350	No.60P32002	Preliminary
		SHEET 8 OF 8	

NOTICE

The information contained in this document is a general product description and is subject to change without notice. Please contact cosmo in order to obtain the latest device data sheets before using any cosmo device. Cosmo does not assume any responsibility for use of any circuitry described. No circuit patent licenses are implied. This publication is the property of cosmo. No part of this publication may be reproduced or copied in any form or by any means, or transferred to any third party without the prior written consent of cosmo Electronics Corporation.

The devices listed in this document are designed for general applications only in electronic equipment. No devices shall be deployed which require higher level of reliability such as:

- Medical and other life support equipments.
- Space application.
- Telecommunication equipment (trunk lines).
- Nuclear power control equipment.

Unless it received prior written approval from cosmo. cosmo takes no responsibility for damages arise form the improper usage of our device. Please contact cosmo for further information regarding the above notices