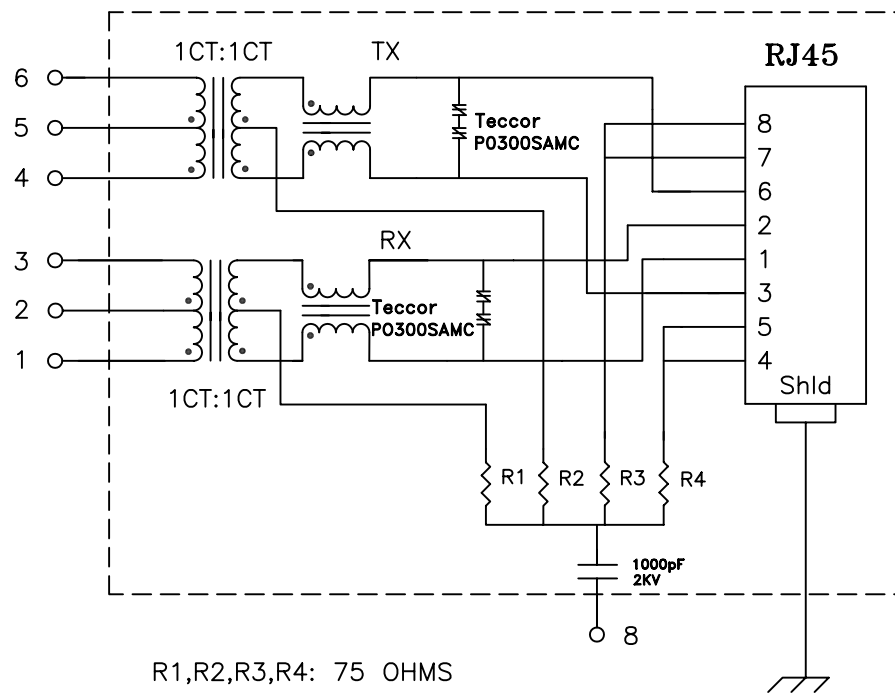


Schematic:



Electrical Specifications: @25°C

Isolation Voltage: 1500 Vrms (Input to Output)

Isolation Voltage: 500 Vrms (P1+2+3 to P4+5+6)

Turns Ratio: TX 1CT:1CT $\pm 3\%$ RX 1CT:1CT $\pm 3\%$

CABLE SIDE OCL: 350uH Minimum @100KHz 100mV 8mADC

Cw/w: 27pF Typical @100KHz 100mV

Insertion Loss (300KHz–100MHz): -1.0dB Maximum

Return Loss: @30MHz -18dB Minimum

@80MHz -12dB Minimum

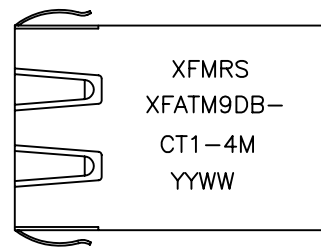
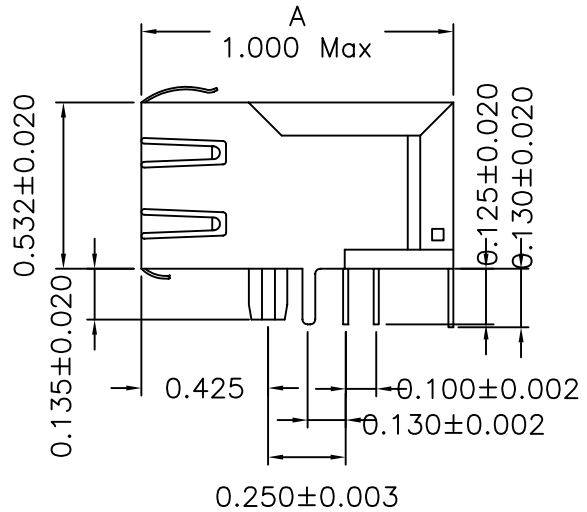
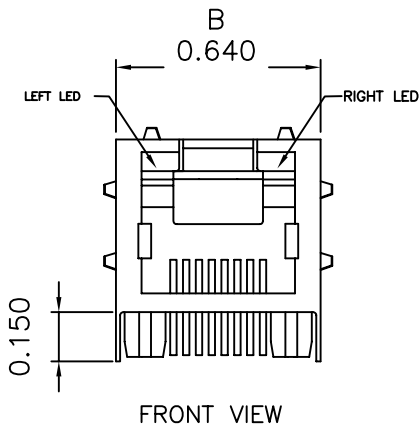
Note:

1. Solderability: Leads shall meet MIL-STD-202, Method 208D for solderability.
2. Flammability: UL94V-0,
3. ASTM oxygen index: $> 28\%$,
4. Temperature rating: 155°C. UL file E151556,
5. Operating Temperature Range: -40°C to $+85^\circ\text{C}$

XFMRs Inc.	Title: SINGLE PORT COMBO		
	UNLESS OTHERWISE SPECIFIED	P/N: XFATM9DB-CT1-4M	REV. A
TOLERANCES: .xxx ± 0.010	DWN.	李清儿	Mar-27-03
Dimensions in Inch	CHK.	孙悦	Mar-27-03
SHEET 1 OF 2	APP.	Isaiah M	Mar-27-03

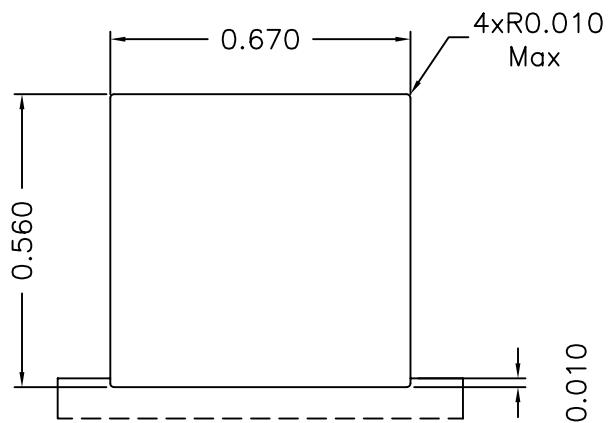
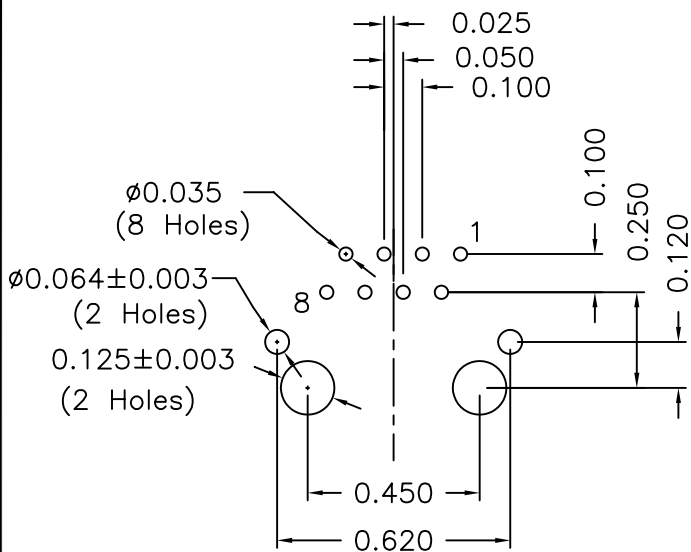
DOC. REV: A/2

Mechanical Dimensions:



TOP VIEW

Mounting Pattern:



FACE VIEW

RECOMMENDED PANEL CUTOUT

DOC. REV A/2

XFMRS Inc. UNLESS OTHERWISE SPECIFIED TOLERANCES: .xxx ±0.010 Dimensions in Inch	Title: Mechanical Dimensions For TAB UB RJ45 COMBO	
	P/N: XFATM9DB-CT1-4M	REV. A
	DWN. 李小锋	Mar-27-03
	CHK. 廖玉坤	Mar-27-03
SHEET 2 OF 2	APP. Isaiah M	Mar-27-03