



# ZMM55-C2V4 ~ SERIES

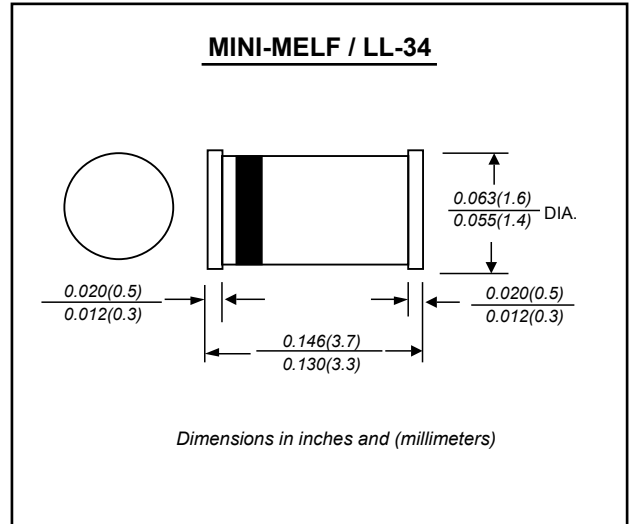
## 500mW SUFACE MOUNT ZENER DIODE

### FEATURES

- Planar Die construction
- 500mW Power Dissipation
- Ideally Suited for Automated Assembly Processes
- Both normal and Pb free product are available :
  - Normal : 80~95% Sn, 5~20% Pb
  - Pb free: 98.5% Sn above

### MECHANICAL DATA

- Case: Molded Glass MINI-MELF
- Terminals: Solderable per MIL-STD-750, Method 2026
- Polarity: See Diagram Below
- Approx. Weight: 0.03 grams
- Mounting Position: Any



### ABSOLUTE MAXIMUM RATINGS(LIMITING VALUES)(TA=25°C )

	Symbols	Value	Units
Zener current see table "Characteristics"			
Power dissipation at TA=25°C	P <sub>tot</sub>	500 <sup>1)</sup>	mW
Junction temperature	T <sub>J</sub>	175	°C
Storage temperature range	T <sub>stg</sub>	-55 to + 175	°C

1)Valid provided that at a distance of 8mm from case are kept at ambient temperature

### ELECTRICAL CHARACTERISTICS(TA=25°C )

	Symbols	Min.	Typ.	Max.	Units
Thermal resistance junction to ambient	R <sub>THA</sub>			0.31 <sup>1)</sup>	K/mW
Forward voltage at I <sub>F</sub> =100mA	V <sub>F</sub>			1.1	V

1)Valid provided that leads at a distance of 8mm from case are kept at ambient temperature



# ZMM55-C2V4 ~ SERIES

## 500mW SUFACE MOUNT ZENER DIODE

Part Number	Nominal Zener Voltage			Max. Zener Impedance				Max Reverse Leakage Current		Temperature Coefficient of Zen Voltage	
	Vz @ IzT			ZzT @ IzT		Zzk @ Izk		IR @ VR		TKVZ %/K	
	Nom. V	Min. V	Max. V	Ω	mA	Ω	mA	uA	V	Min	Max
ZMM55-C2V4	2.4	2.28	2.56	85	5	600	1.0	50	1.0	-0.09	-0.06
ZMM55-C2V7	2.7	2.5	2.9	85	5	600	1.0	10	1.0	-0.09	-0.06
ZMM55-C3V0	3.0	2.8	3.2	85	5	600	1.0	4	1.0	-0.08	-0.05
ZMM55-C3V3	3.3	3.1	3.5	85	5	600	1.0	2	1.0	-0.08	-0.05
ZMM55-C3V6	3.6	3.4	3.8	85	5	600	1.0	2	1.0	-0.08	-0.05
ZMM55-C3V9	3.9	3.7	4.1	85	5	600	1.0	2	1.0	-0.08	-0.05
ZMM55-C4V3	4.3	4.0	4.6	75	5	600	1.0	1	1.0	-0.06	-0.03
ZMM55-C4V7	4.7	4.4	5.0	60	5	600	1.0	0.5	1.0	-0.05	0.02
ZMM55-C5V1	5.1	4.8	5.4	35	5	550	1.0	0.1	1.0	-0.02	0.02
ZMM55-C5V6	5.6	5.2	6.0	25	5	450	1.0	0.1	1.0	-0.05	0.05
ZMM55-C6V2	6.2	5.8	6.6	10	5	200	1.0	0.1	2.0	0.03	0.06
ZMM55-C6V8	6.8	6.4	7.2	8	5	150	1.0	0.1	3.0	0.03	0.07
ZMM55-C7V5	7.5	7.0	7.9	7	5	50	1.0	0.1	5.0	0.03	0.07
ZMM55-C8V2	8.2	7.7	8.7	7	5	50	1.0	0.1	6.0	0.03	0.08
ZMM55-C9V1	9.1	8.5	9.6	10	5	50	1.0	0.1	7.0	0.03	0.09
ZMM55-C10	10	9.4	10.6	15	5	70	1.0	0.1	7.5	0.03	0.1
ZMM55-C11	11	10.4	11.6	20	5	70	1.0	0.1	8.5	0.03	0.11
ZMM55-C12	12	11.4	12.7	20	5	90	1.0	0.1	9.0	0.03	0.11
ZMM55-C13	13	12.4	14.1	26	5	110	1.0	0.1	10	0.03	0.11
ZMM55-C15	15	13.8	15.6	30	5	110	1.0	0.1	11	0.03	0.11
ZMM55-C16	16	15.3	17.1	40	5	170	1.0	0.1	12	0.03	0.11
ZMM55-C18	18	16.8	19.1	50	5	170	1.0	0.1	14	0.03	0.11
ZMM55-C20	20	18.8	21.2	55	5	220	1.0	0.1	15	0.03	0.11
ZMM55-C22	22	20.8	23.3	55	5	220	1.0	0.1	17	0.03	0.11
ZMM55-C24	24	22.8	25.6	80	5	220	1.0	0.1	18	0.04	0.12
ZMM55-C27	27	25.1	28.9	80	5	220	1.0	0.1	20	0.04	0.12
ZMM55-C30	30	28	32	80	5	220	1.0	0.1	22	0.04	0.12
ZMM55-C33	33	31	35	80	5	220	1.0	0.1	24	0.04	0.12
ZMM55-C36	36	34	38	80	5	220	1.0	0.1	27	0.04	0.12
ZMM55-C39	39	37	41	90	2.5	500	1.0	0.1	30	0.04	0.12
ZMM55-C43	43	40	46	90	2.5	600	1.0	0.1	33	0.04	0.12
ZMM55-C47	47	44	50	110	2.5	700	1.0	0.1	36	0.04	0.12
ZMM55-C51	51	48	54	125	2.5	700	0.5	0.1	39	0.04	0.12
ZMM55-C56	56	52	60	135	2.5	1000	0.5	0.1	43	0.04	0.12
ZMM55-C62	62	58	66	150	2.5	1000	0.5	0.1	47	0.04	0.12
ZMM55-C68	68	64	72	200	2.5	1000	0.5	0.1	51	0.04	0.12
ZMM55-C75	75	70	79	250	2.5	1500	0.5	0.1	56	-	-
ZMM55-C82	82	77	87	300	2.5	2000	0.5	0.1	62	-	-
ZMM55-C91	91	85	96	450	1.0	5000	0.1	0.1	68	-	-
ZMM55-C100	100	94	106	450	1.0	5000	0.1	0.1	75	-	-

Notes : STANDARD VOLTAGE TOLERANCE IS ± 5%



# ZMM55-C2V4 ~ SERIES

## RATINGS AND CHARACTERISTIC CURVES

FIG.1- BREAKDOWN CHARACTERISTICS

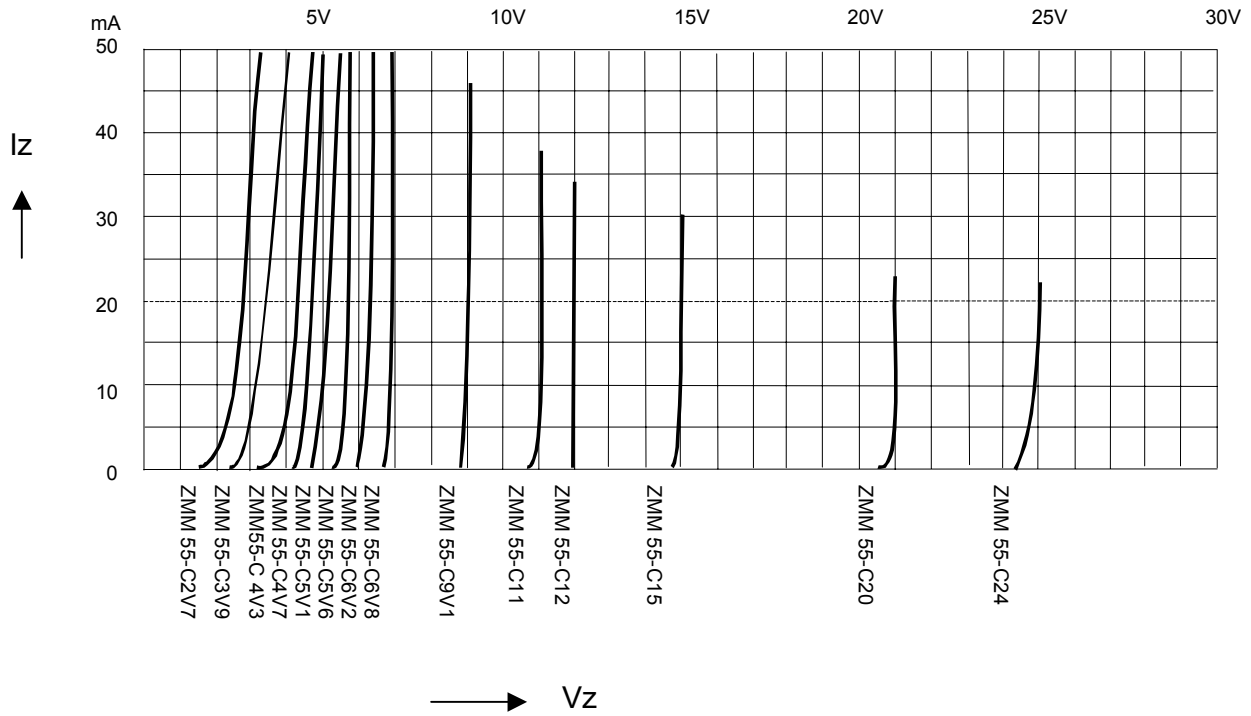


FIG.2- POWER ,TEMPERATURE DERATING CURVE

