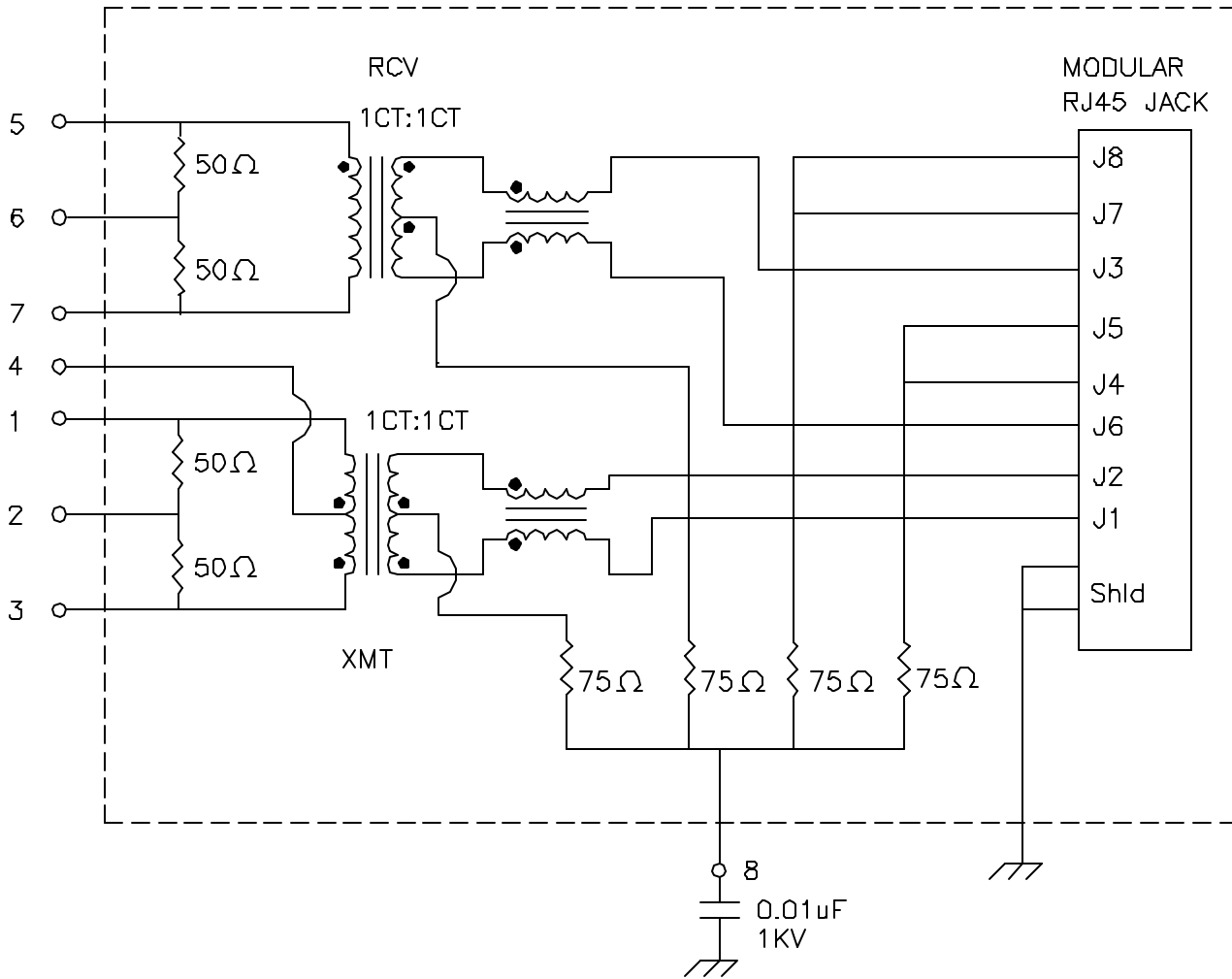


**Schematic:**



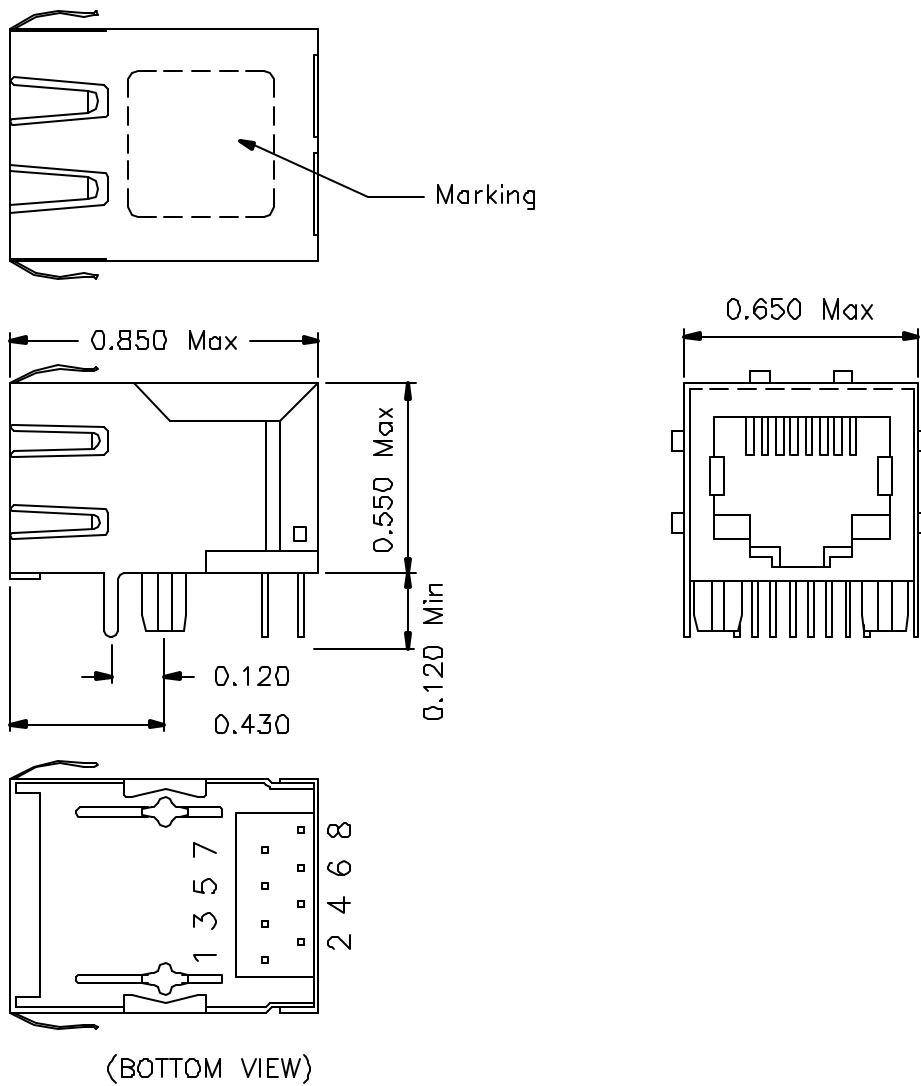
**Electrical Specifications: @25°C**

- HIPOT: 1500 Vrms (INPUT/OUTPUT)
- HIPOT: 500 Vrms (P5+6+7 to P1+2+3+4))
- Turns Ratio: 1CT : 1CT ±3% (RCV)
- Turns Ratio: 1CT : 1CT ±3% (XMT)
- CABLE SIDE DCL: 350uH Minimum @100KHz 100mV 8mADC
- Cw/w: 27pF Typical @100KHz 100mV

DOC. REV A/1

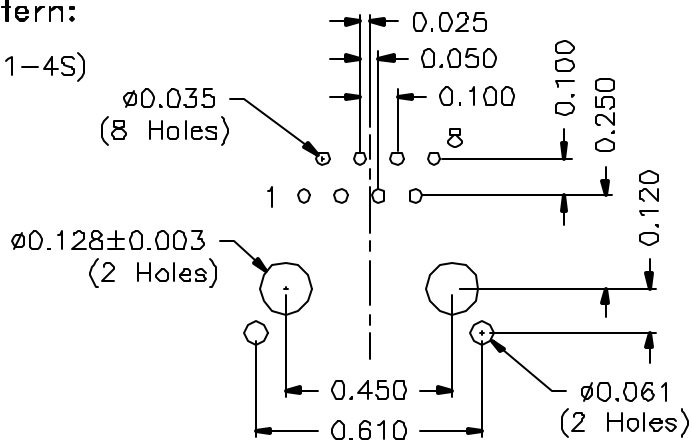
<b>XFMRs Inc.</b> UNLESS OTHERWISE SPECIFIED TOLERANCES: .xxx ±0.010 Dimensions in Inch SHEET 1 OF 2	Title: <b>SINGLE PORT COMBO</b>		
	P/N: XF970A1-COMBO1-4S		REV. A
	DWN.	李清儿	Mar-30-00
	CHK.	孙小松	Mar-30-00
	APP.	Joe Huff	Mar-30-00

### Mechanical Dimensions:



### Mounting Pattern:

(FOR COMBO1-4S)  
(COMP SIDE)



DOC. REV A/1

<b>XFMRs Inc.</b>		Title: Mechanical Dimensions For COMBO1-4S Series	
UNLESS OTHERWISE SPECIFIED TOLERANCES: .xxx ±0.010 Dimensions in Inch		P/N: XF970A1-COMBO1-4S	REV. A
		DWN.	李清儿
		CHK.	孙小松
SHEET 2 OF 2		APP.	Joe Huff
			Mar-30-00
			Mar-30-00
			Mar-30-00