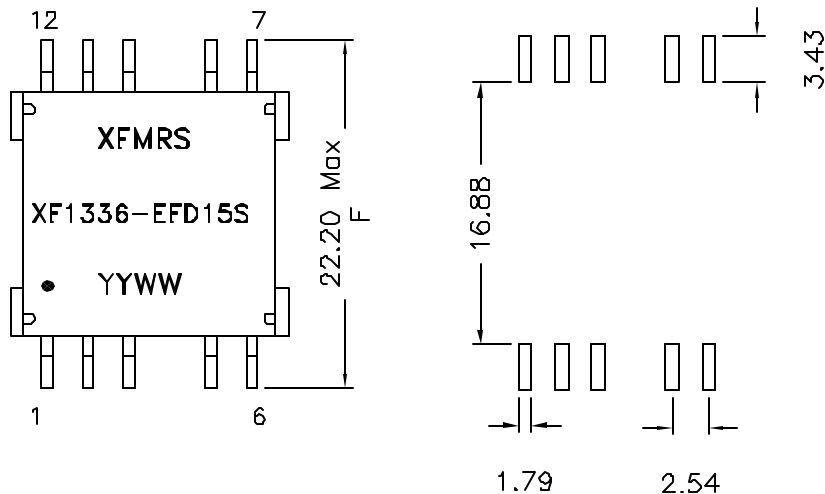
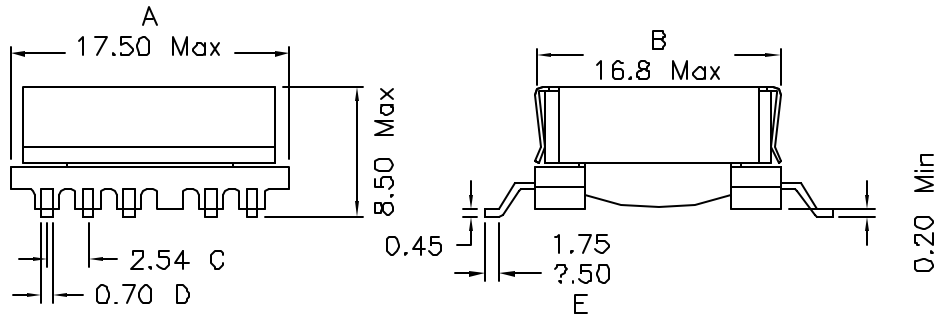


## 1. Mechanical Dimensions:

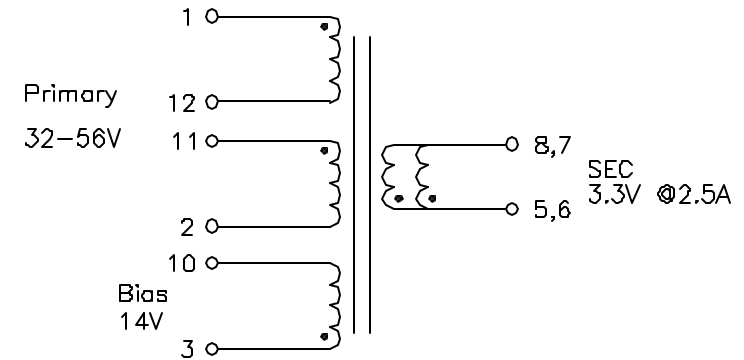


### Notes:

1. Solderability: Leads shall meet MIL-STD-202G, Method 208H for solderability.
2. Flammability: UL94V-0
3. ASTM oxygen index: > 28%
4. Insulation System: Class F 155°C. UL file E151556
5. Operating Temperature Range: All listed parameters are to be within tolerance from -40°C to +125°C
6. Storage Temperature Range: -55°C to +125°C
7. Aqueous wash compatible
8. SMD Lead Coplanarity:  $\pm 0.004$ "(0.102mm)
9. Moisture Sensitivity: Level 3
10. Electrical and mechanical specifications 100% tested
11. RoHS Compliant Component

DOC REV: A/1

## 2. Schematic:



## 3. Electrical Specifications:

- OCL: Pins 1-2 133 $\pm$ 5% @300KHz, 1.0V Tie 12-11  
 OCL: Pins 1-2 126 $\mu$ H Min @300KHz, 1.0V, 0.9A<sub>dc</sub>  
 LL: Pins 1-2 3.5 $\mu$ H Max @300KHz, 1.0V Short Secs  
 DCR: Pins 1-2 0.283 Ohms Max  
 DCR: Pins 5,6-8,7 0.013 Ohms Max  
 DCR: Pins 3-10 0.480 Ohms Max  
 Turns Ratio: P1-2:5,6-8,7:3-10 = 1:0.13:0.57  
 Isolation Voltage: 1500V<sub>rms</sub>, Pri&Bias to Sec  
 500V<sub>rms</sub>, Pri to Bias

<b>XFMR5, Inc</b> www.XFMR5.com	Title: <b>TRANSFORMER</b>		
UNLESS OTHERWISE SPECIFIED TOLERANCES: .xx $\pm$ 0.20 Dimensions in MM Scale 2.5:1 SHT 1 OF 1	P/N: XF1336-EFD15S		REV. A
	DWN.	Juan Mao	Feb-07-06
	CHK.	YK Liao	Feb-07-06
	APP.	BW	Feb-07-06

**PROPRIETARY** Document is the property of XFMR5 Group & is not allowed to be duplicated without authorization.