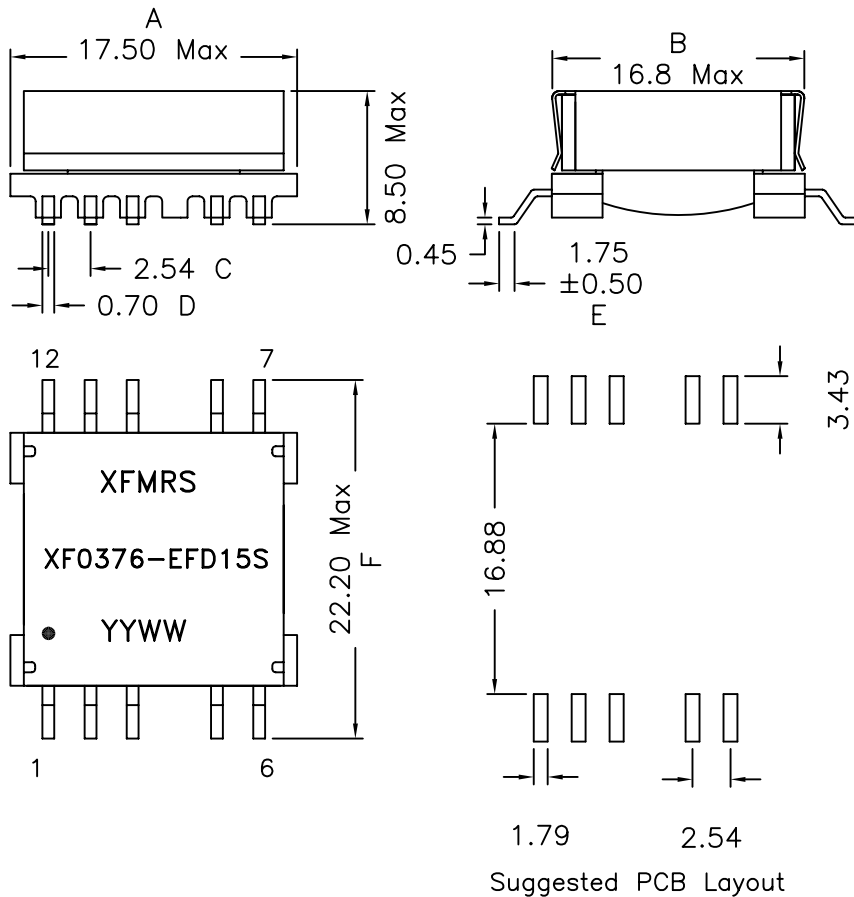


1. Mechanical Dimensions:

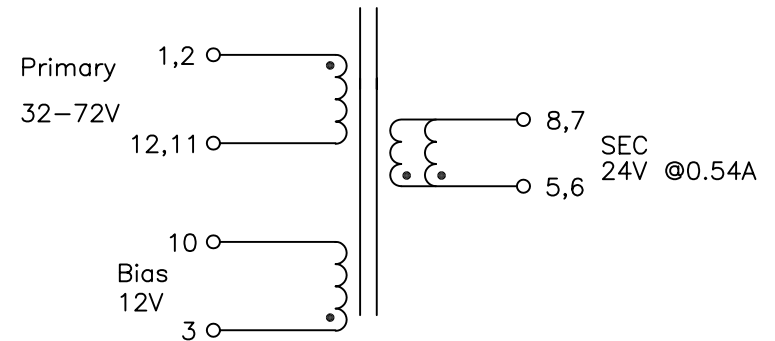


Notes:

1. Solderability: Leads shall meet MIL-STD-202G, Method 208H for solderability.
2. Flammability: UL94V-0
3. ASTM oxygen index: > 28%
4. Insulation System: Class F 155°C. UL file E151556
5. Operating Temperature Range: All listed parameters are to be within tolerance from -40°C to +85°C
6. Storage Temperature Range: -55°C to +125°C
7. Aqueous wash compatible
8. SMD Lead Coplanarity: $\pm 0.004"$ (0.102mm)
9. Electrical and mechanical specifications 100% tested
10. RoHS Compliant Component

DOC REV: A/2

2. Schematic:



3. Electrical Specifications:

- OCL: Pins 1,2-11,12 37uH $\pm 10\%$ @250KHz, 0.3V
- OCL: Pins 1,2-11,12 33.3uH Min @250KHz, 0.3V, 2.0Adc
- Q: Pins 1,2-11,12 30 Min @250kHz, 0.3V
- LL: Pins 1,2-11,12 0.4uH Max @300KHz, 1.0V Short Secs
- DCR: Pins 1,2-11,12 0.086 Ohms Max
- DCR: Pins 5,6-8,7 0.049 Ohms Max
- DCR: Pins 3-10 0.370 Ohms Max
- Turns Ratio: P1,2-11,12:5,6-8,7:3-10 = 1:0.67:0.33
- Isolation Voltage: 1500Vrms, Pri&Bias to Sec
500Vrms, Pri to Bias

XFMR5, Inc www.XFMR5.com	Title: TRANSFORMER		
	UNLESS OTHERWISE SPECIFIED TOLERANCES: .xx ± 0.20 Dimensions in MM	P/N: XF0376-EFD15S	REV. A
Scale 2.5:1 SHT 1 OF 1	DWN.	Xianyi	Dec-25-08
	CHK.	YK Liao	Dec-25-08
	APP.	BW	Dec-25-08