

Seven-Channel Darlington Array

FEATURES

- Improved replacement for ULN2803.
- Fast turn-on and turn-off.
- TTL/CMOS compatible.

APPLICATIONS

- Stepping Motor Driver.
- Relay Driver.
- LED Driver.
- Solenoid Driver.

DESCRIPTION

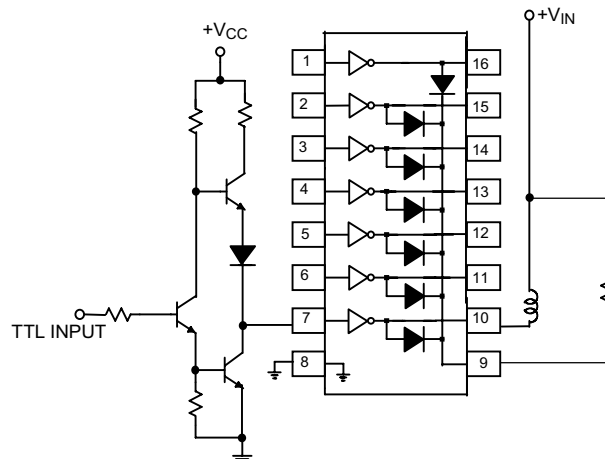
Manufactured with the standard bipolar process, the SS62003 is a high-voltage, high-current 7-channel Darlington array, with each of the output transistors capable of sinking peak load current of 700mA and capable of withstanding at least 35V in the OFF state.

The SS62003 has a 2.7K Ω series base resistor to each Darlington pair and thus allows operation directly with TTL or CMOS logic circuitry operating at a supply voltage of 5V. Outputs of the drivers can be paralleled for higher load current capability.

These make the SS62003 ideally suited for numerous interfaces between low-level logic circuitry and high-power peripheral loads, particularly those beyond the capabilities of standard logic buffers. Typical loads include relays, solenoids, stepping motors, heaters, multiplexed LED, and incandescent displays.

The SS62003 features open collector outputs and integral diodes for inductive load transient suppression.

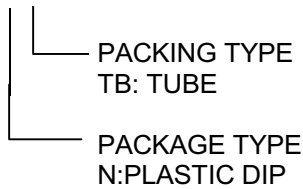
TYPICAL APPLICATION CIRCUIT



Solenoid Driver

ORDERING INFORMATION

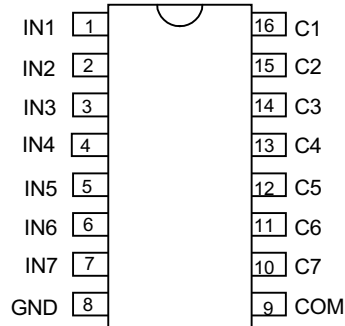
SS62003CXXX



Example: SS62003CNTB
 → in DIP-16 Package & Tube
 Packing Type

PIN CONFIGURATION

DIP-16
TOP VIEW



ABSOLUTE MAXIMUM RATINGS (at $T_A = 25^\circ\text{C}$)

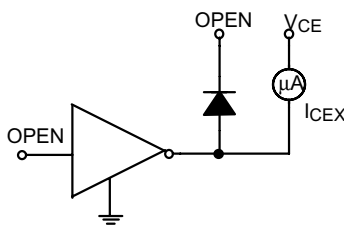
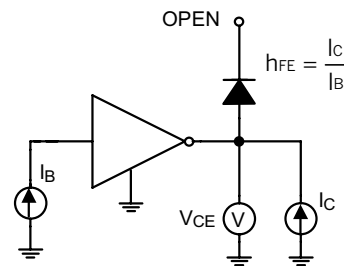
Output Voltage, V_{CE}	35V
Input Voltage, V_{IN}	30V
Continuous Collector Current, I_C	500mA
Continuous Base Current, I_B	25mA
Power Dissipation, P_D (one Darlington pair).....	1.0W
(total package).....	2.25W
Operating Ambient Temperature Range, T_A	-20°C to $+85^\circ\text{C}$
Storage Temperature Range, T_S	-55°C to $+150^\circ\text{C}$

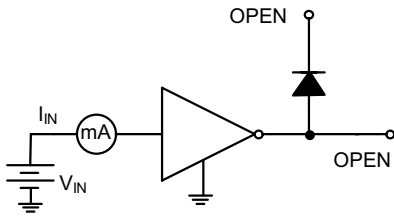
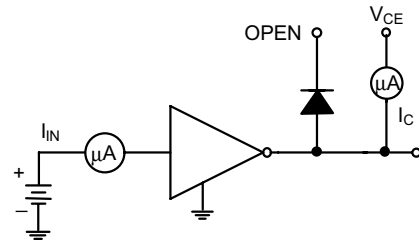
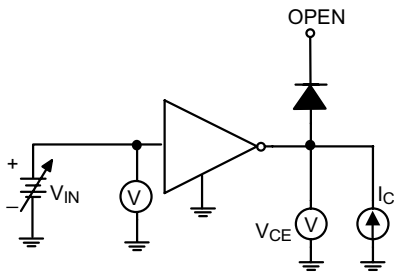
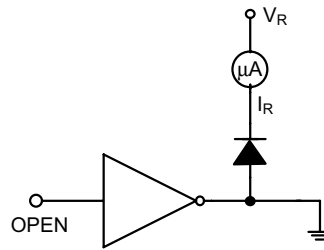
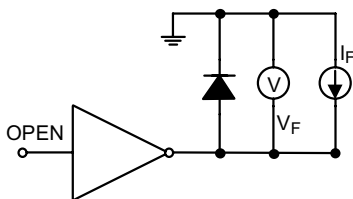
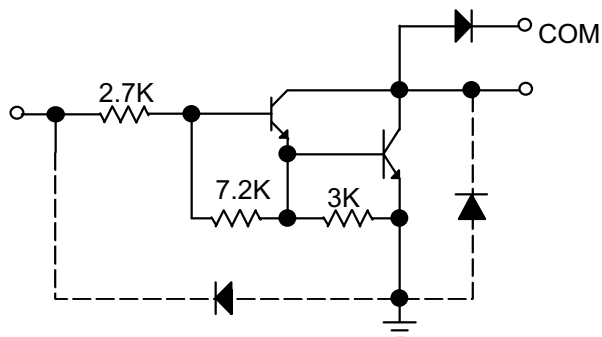
PIN DESCRIPTIONS

- PIN 1~7: IN1~IN7 - Control signal input pin.
- PIN 8: GND - Power ground.
- PIN 9: COM - The output pin (Cathode) of freewheeling diode.
- PIN 10~16: C1~C7 - Each of the pins may individually sink load current from some controlled circuits. The sunk current should be under 500mA in a continuous mode.

ELECTRICAL CHARACTERISTICS ($T_A = 25^\circ\text{C}$, unless otherwise specified.)

PARAMETERS	SYMBOL	TEST FIG	TEST CONDITIONS	MIN.	TYP.	MAX.	UNIT
Output Leakage Current	I_{CEX}	1	$V_{CE}=35\text{V}, T_A=25^\circ\text{C}$ $V_{CE}=35\text{V}, T_A=70^\circ\text{C}$			3 50	μA
Collector-Emitter Saturation Voltage	$V_{CE(SAT)}$	2	$I_C=100\text{mA}, I_B=250\mu\text{A}$ $I_C=200\text{mA}, I_B=350\mu\text{A}$ $I_C=350\text{mA}, I_B=500\mu\text{A}$		0.8 0.9 1.0	1.1 1.3 1.5	V
Input Current	$I_{IN(ON)}$	3	$V_{IN}=3.85\text{V}$		0.93	1.35	mA
	$I_{IN(OFF)}$	4	$I_C=500\mu\text{A}, T_A=70^\circ\text{C}$	50	65		μA
Input voltage	$V_{IN(ON)}$	5	$V_{CE}=2.0\text{V}, I_C=200\text{mA}$			2.3	V
			$V_{CE}=2.0\text{V}, I_C=250\text{mA}$			2.4	
			$V_{CE}=2.0\text{V}, I_C=300\text{mA}$			2.5	
Input Capacitance	C_{IN}				15	25	pF
Turn-On Delay	t_{ON}		$0.5 E_{IN}$ to $0.5 E_{OUT}$		0.25	1.0	μS
Turn-off Delay	t_{OFF}		$0.5 E_{IN}$ to $0.5 E_{OUT}$		0.25	1.0	μS
Clamp Diode Leakage Current	I_R	6	$V_R=35\text{V}, T_A=25^\circ\text{C}$			3	μA
			$V_R=35\text{V}, T_A=70^\circ\text{C}$			50	μA
Clamp Diode Forward Voltage	V_F	7	$I_F=350\text{mA}$		1.4	1.8	V

TEST CIRCUITS

Fig. 1

Fig. 2

TEST CIRCUITS (cont.)

Fig. 3

Fig. 4

Fig. 5

Fig. 6

Fig. 7
DRIVER CIRCUIT


ALLOWABLE AVERAGE POWER DISSIPATION

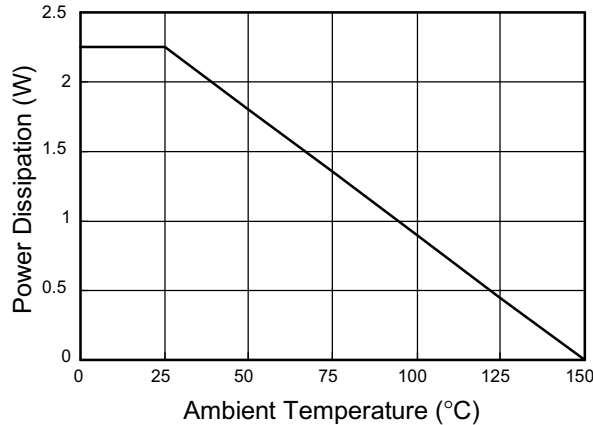
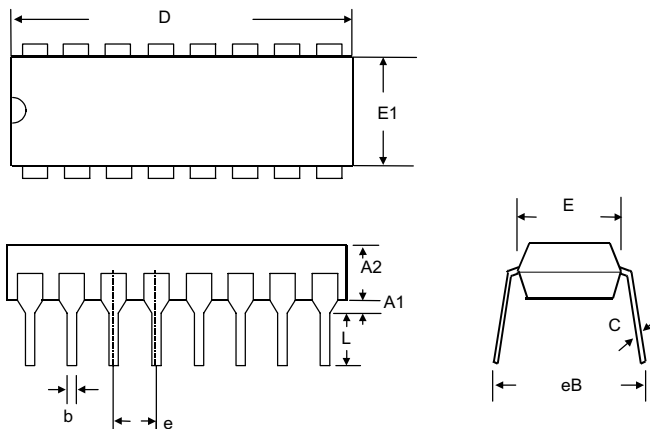


Fig. 8 Power Dissipation vs. Ambient Temperature

PHYSICAL DIMENSIONS

- **16 LEAD PLASTIC DIP (unit: mm)**



SYMBOL	MIN	MAX
A1	0.381	—
A2	2.92	4.96
b	0.35	0.56
C	0.20	0.36
D	18.66	19.69
E	7.62	8.26
E1	6.09	7.12
e	2.54(TYP)	
eB	—	10.92
L	2.92	3.81

Information furnished by Silicon Standard Corporation is believed to be accurate and reliable. However, Silicon Standard Corporation makes no guarantee or warranty, express or implied, as to the reliability, accuracy, timeliness or completeness of such information and assumes no responsibility for its use, or for infringement of any patent or other intellectual property rights of third parties that may result from its use. Silicon Standard reserves the right to make changes as it deems necessary to any products described herein for any reason, including without limitation enhancement in reliability, functionality or design. No license is granted, whether expressly or by implication, in relation to the use of any products described herein or to the use of any information provided herein, under any patent or other intellectual property rights of Silicon Standard Corporation or any third parties.