

THIS DRAWING IS UNPUBLISHED. RELEASED FOR PUBLICATION  
 © COPYRIGHT BY TYCO ELECTRONICS CORPORATION. ALL RIGHTS RESERVED.

LOC	DIST	REVISIONS					
FT	0	P	LTR	DESCRIPTION	DATE	DWN	APVD
		02		REVISED PER ECO-08-024769	07OCT08	HMR	CR

1. Application and Features:
- 1-1. This terminal block is designed to plug onto loose pins or pin header strips.
  - 1-2. With wire guard for wire protection so that the screw doesn't press directly on the wire.
  - 1-3. Easy handling due to the pluggable system horizontally or vertically.

2. Technical Data:

- 2-1. Material
- 2-1-1. Housing: NYLON 6.6, UL94V-0, BLACK.
  - 2-1-2. Metal Housing: Brass(Cu Zn) Cu, Tin Plated.
  - 2-1-3. Wire Guard: Cu Be, Tin Plated.
  - 2-1-4. Screw: Steel galvanized and chromated, M2.6.

2-3. Electrical:

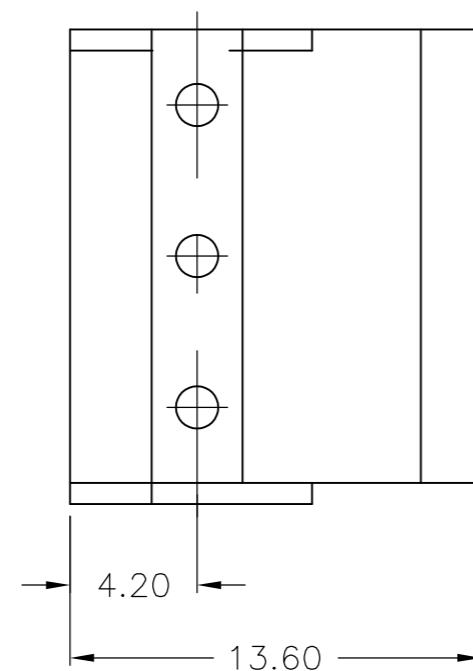
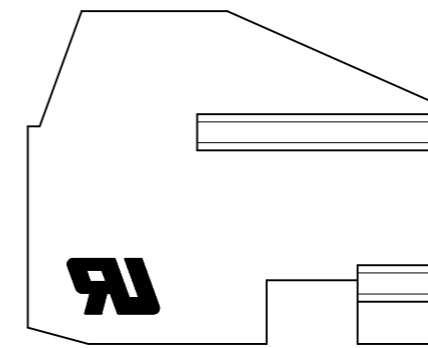
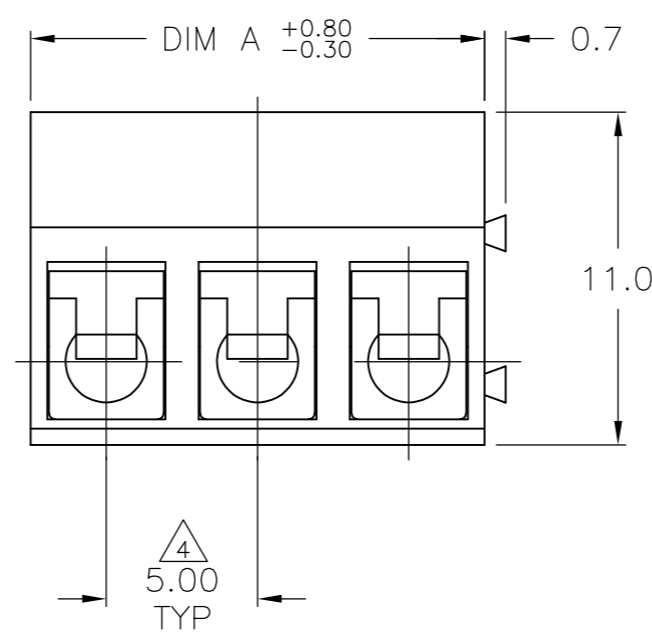
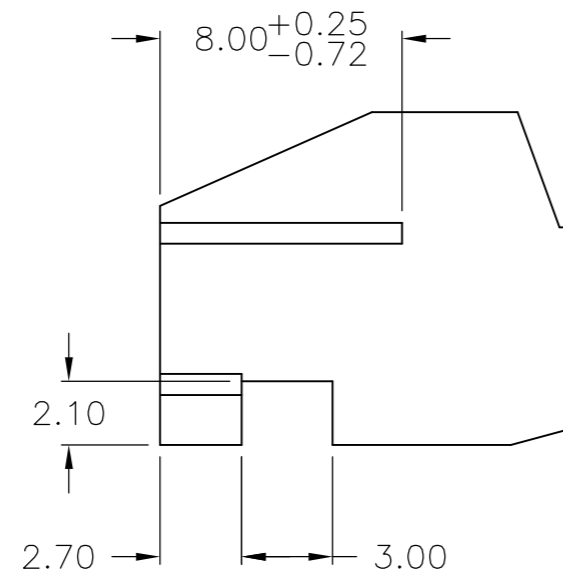
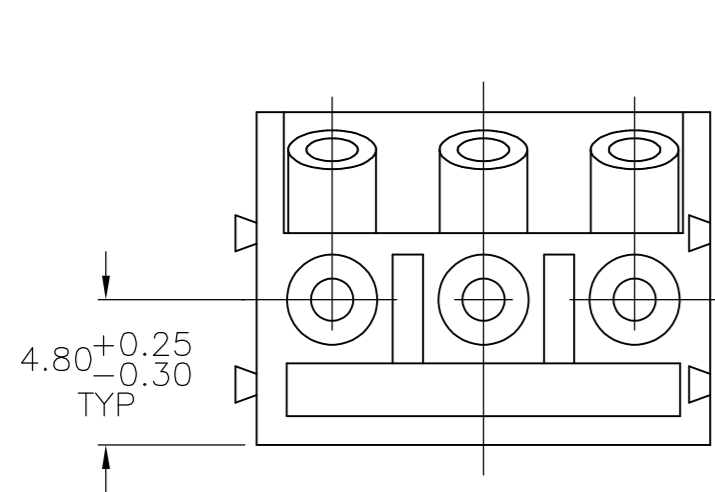
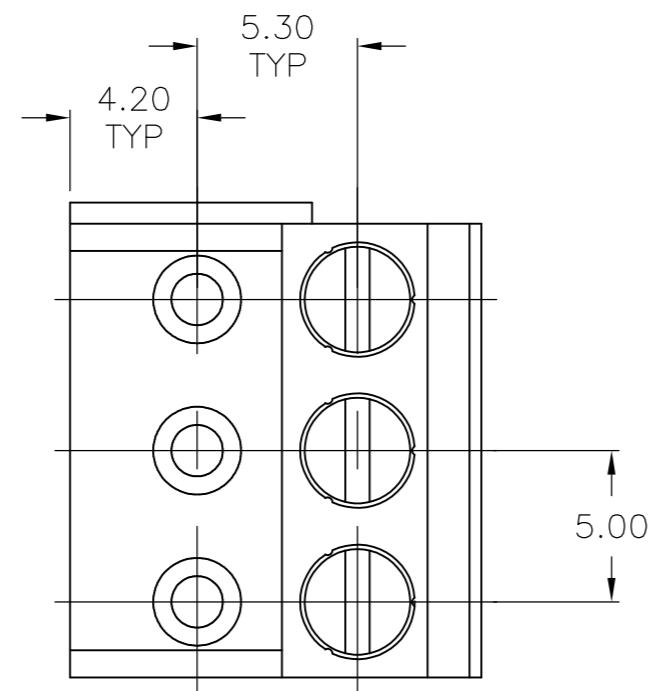
- 2-3-1. Current rating: 10 amps/way max.
- 2-3-2. Contact resistance: 20mΩ (Max).
- 2-3-3. Insulation resistance: 5000MΩ/1000V.
- 2-3-4. Withstanding voltage: 1500 VAC/min, test time= 60sec/1pc.
- 2-3-5. Operation voltage: 300 VAC.
- 2-3-6. Wire Range: 14-22 AWG.

2.4 Mechanical:

- 2-4-1. Torque: 4 Kg.cm (Max).
- 2-4-2. Contact retention Force: 0.2Kg/cm (min).
- 2-4-3. Operating temperature: -55°C to +105°C.
- 2-4-4. Solderability: 95% coverage (min).  
test temperature=230°C±10°C  
test time= 3sec±0.5sec.

OBSOLETE	120.00	24	2	1776280-4
OBSOLETE	115.00	23	2	1776280-3
OBSOLETE	110.00	22	2	1776280-2
OBSOLETE	105.00	21	2	1776280-1
OBSOLETE	100.00	20	2	1776280-0
OBSOLETE	95.00	19	1	1776280-9
OBSOLETE	90.00	18	1	1776280-8
OBSOLETE	85.00	17	1	1776280-7
OBSOLETE	80.00	16	1	1776280-6
OBSOLETE	75.00	15	1	1776280-5
OBSOLETE	70.00	14	1	1776280-4
OBSOLETE	65.00	13	1	1776280-3

60.00±0.40	12	1-1776280-2
55.00±0.40	11	1-1776280-1
50.00±0.35	10	1-1776280-0
45.00±0.30	9	1776280-9
40.00±0.30	8	1776280-8
35.00±0.25	7	1776280-7
30.00±0.25	6	1776280-6
25.00±0.25	5	1776280-5
20.00±0.25	4	1776280-4
15.00±0.25	3	1776280-3
10.00±0.25	2	1776280-2
DIM A	NO OF POSN	PART NUMBER



- 1 ALL DIMENSIONS ARE IN MM.
- 2 RECOMMENDED PC-BOARD HOLES DIAMETER: Ø1.200 to Ø1.400.
- 3 BUCHANAN LOGO TO APPEAR ON HOUSING LOCATION OPTIONAL WHERE SPACE PERMITS.

4 NON CUMULATIVE

THIS DRAWING IS A CONTROLLED DOCUMENT.		DWN	S SCHLEGEL	5/6/05	Tyco Electronics Corporation Harrisburg, Pa 17105-3608
DIMENSIONS: mm		CHK	C RICHARD	5/6/05	
TOLERANCES UNLESS OTHERWISE SPECIFIED:		APVD	C RICHARD	5/6/05	
0 PLC ± - 1 PLC ± 0.3 2 PLC ± 0.25 3 PLC ± - 4 PLC ± - ANGLES ± 2°		PRODUCT SPEC	NAME		
MATERIAL	FINISH	WEIGHT	-		TERMINAL BLOCK, 90 DEGREE, STACKING W/ WIRE PROTECTION 5.0MM PITCH, HIGH TEMP
CUSTOMER DRAWING		SCALE	6:1	SHEET	1 OF 1
		REV	02	RESTRICTED TO	