



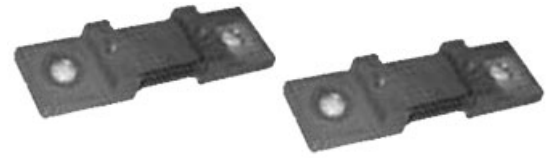
CURRENT SHUNT RESISTORS



The content of this specification may change without notification 11/03/08
 Custom solutions are available.

SR Series - Current Shunt Resistors

Custom solutions are available. Call us with your specification requirements.



HOW TO ORDER

SR 1- 04 60 F Z M

Packaging

TCR (ppm/°C)

Z = ±100ppm

Resistance Tolerance

F = ±1%

Rated Voltage

60mV = 60 100mV = 100

Rated Current

100A = 01 400A = 04 1200A = 12
 200A = 02 600A = 06 1500A = 15
 300A = 03 1000A = 10 2000A = 20

Body Style (refer to schematic table)

1, 2, or 3

Current Shunt Resistor Series

FEATURES

Current shunt resistors are low resistance precision resistors used to measure AC or DC electrical currents by the voltage drop those currents create across the resistance. Sometimes called an ammeter shunt, it is a type of current sensor.

- 2 or 4 ports available
- Tight Tolerance of ±1% and Tight TCR of ±100ppm

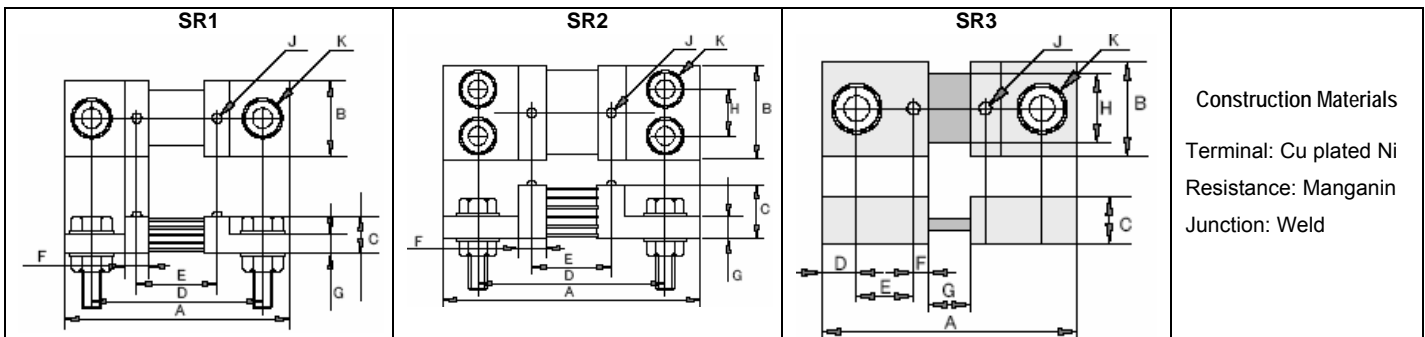
APPLICATIONS

- Current Measurement of AC or DC electrical currents
- RV battery monitor and battery chargers
- Marine battery monitor and battery chargers
- Golf Cart, Wheelchair, Electric Bike batteries & chargers
- Digital panel meter Ammeter
- Solar Power, Wind Power generators batteries & chargers
- Electroplating and metal plating Amp Hour measurement
- Hand Radio & Amateur Radio base station equipment, battery monitoring and chargers

ELECTRICAL CHARACTERISTICS

Item	SR1-03	SR1-04	SR1-06	SR1-10	SR2-12	SR2-15	SR2-20	SR3-01	SR3-04	SR3-06	SR3-10
Rated Current	300A	400A	600A	1,000A	1,200A	1,500A	2,000A	100A	400A	600A	1000A
Rated Output	60/100mV	60/100mV	60/100mV	60/100mV	60/100mV	60/100mV	60/100mV	60/100mV	60/100mV	6/1000mV	60/100mV
Ω Milliohm	0.20/0.333	0.15/0.25	0.10/0.167	0.06/0.10	0.05/0.083	0.04/0.067	0.03/0.05	0.60/1.00	0.30/0.50	0.15/0.25	0.06/0.10
Heat Resistance	-	-	-	-	-	-	-	1.5	0.55	0.42	0.23
Weight (Kg)	-	-	-	-	-	-	-	0.24	0.24	0.24	0.56
Tolerance	±1%										
TCR (ppm/°C)	±100										
Operating & Storage Temp	-55°C ~ +125°C										

SCHEMATIC



DIMENSIONS (±0.2 mm)

Series	A	B	C	D	E	F	G	H	J	K
SR1-03	155	45	20	115	60	15	10	-	2-M5	2-M12-50
SR1-04	155	45	20	115	60	15	10	-	2-M5	2-M12-50
SR1-06	175	45	30	135	60	15	15	-	2-M5	2-M12-50
SR1-10	175	45	30	135	60	15	15	-	2-M5	2-M12-50
SR2-12	185	70	40	140	67	22	20	35	2-M5	2-M12-50
SR2-15	185	70	40	140	67	22	20	35	2-M5	2-M12-50
SR2-20	215	80	45	160	70	25	20	40	2-M5	2-M12-50
SR3-01	100	30	10	15	22	8	10	13	2-M4	2-M12
SR3-04	100	30	10	15	22	8	10	26	2-M4	2-M12
SR3-06	100	30	10	15	22	8	10	26	2-M4	2-M12
SR3-10	100	70	20	15	22	8	10	65	2-M4	2-M12



188 Technology Drive, Unit H Irvine, CA 92618
 TEL: 949-453-9888 ♦ FAX: 949-453-8889