

Rast 5 Power Relay 419 11 (EA/..)

- 2 pole 16 A
- Safety mains insulation
- Quick connect terminals 6.3 x 0.8 mm
- Contact gap > 3 mm
- 4 kV / 8 mm coil-contact
- Snap or screw mounting
- Product in accordance to IEC60335-1

Applications

Industrial and domestic appliances, heating controls, absolute safe power supply disconnection



F0255-C1

Approvals

VDE REG.-Nr. 5064 ÜG, cULus E214024
 Technical data of approved types on request

Contact data

Contact configuration	2 NO
Contact set	bifurcated contacts
Type of interruption	full disconnection
Rated voltage / max. switching voltage AC	250 / 400 VAC
Rated current	16 A
Limiting making capacity, max 4 s, duty factor 10%	25 A
Contact material	AgCu3
Contact gap	> 3 mm
Rated frequency of operation with / without load	15 / 600 min ⁻¹

Contact ratings

Type	Contact	Load	Ambient temp. [°C]	Cycles
IEC 61810				
0419 .. 03	2 NO	16 A, 250 VAC, cosφ=1	85°C	250x10 ³
0419 .. 04	2 NO	12 A, 250 VAC, cosφ=1	85°C	250x10 ³
0419 .. 03	2 NO	20 A, 250 VAC, cosφ=1	85°C	6x10 ³
0419 .. 12 & 13	2 NO	16 A, 250 VAC, cosφ=1	85°C	250x10 ³
0419 .. 12 & 13	2 NO	12 A, 400 VAC, cosφ=1	85°C	250x10 ³
0419 .. 12 & 13	2 NO	20 A, 250 VAC, cosφ=1	85°C	6x10 ³

Coil data

Rated coil voltage range DC coil	6...60 VDC
AC coil	24...400 VAC
Operative range to IEC 61810 DC coil / AC coil	1 / 2

Coil versions, DC-coil

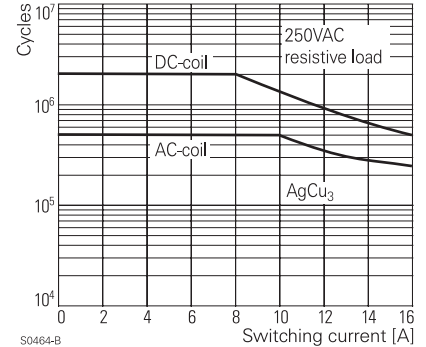
Coil code	Rated voltage VDC	Operate voltage VDC	Release voltage VDC	Coil resistance Ohm	Rated coil power mW
10	6	3.5	0.4	50±10%	720
11	10	6.0	0.7	150±10%	667
12	12	7.5	0.9	200±10%	720
13	24	15.0	1.8	800±10%	720

Coil versions, AC-coil

Coil code	Rated voltage VAC	Operate voltage VAC	Release voltage VAC	Coil resistance Ohm	Rated coil power VA
01	200.50 / 60 Hz	160.0	15.0	4050±10%	2.2
03	220..240.50 / 60 Hz	187.0	16.0	4500±10%	2.2
04	100..120.50 / 60 Hz	80.0	7.0	850±10%	2.2

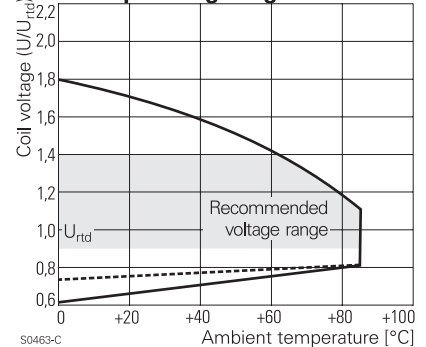
All figures are given for coil without preenergization, at ambient temperature +23°C
 Other coil voltages on request

Electrical endurance



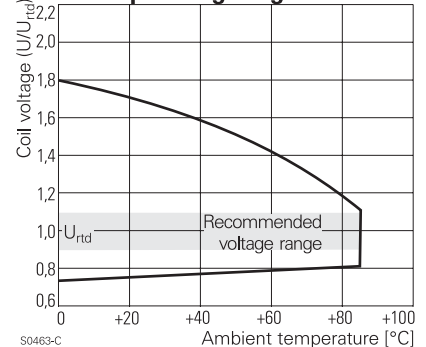
S0464-B

Coil operating range DC



S0463-C

Coil operating range AC



S0463-C

Rast 5 Power Relay 419 11 (EA/..) (Continued)

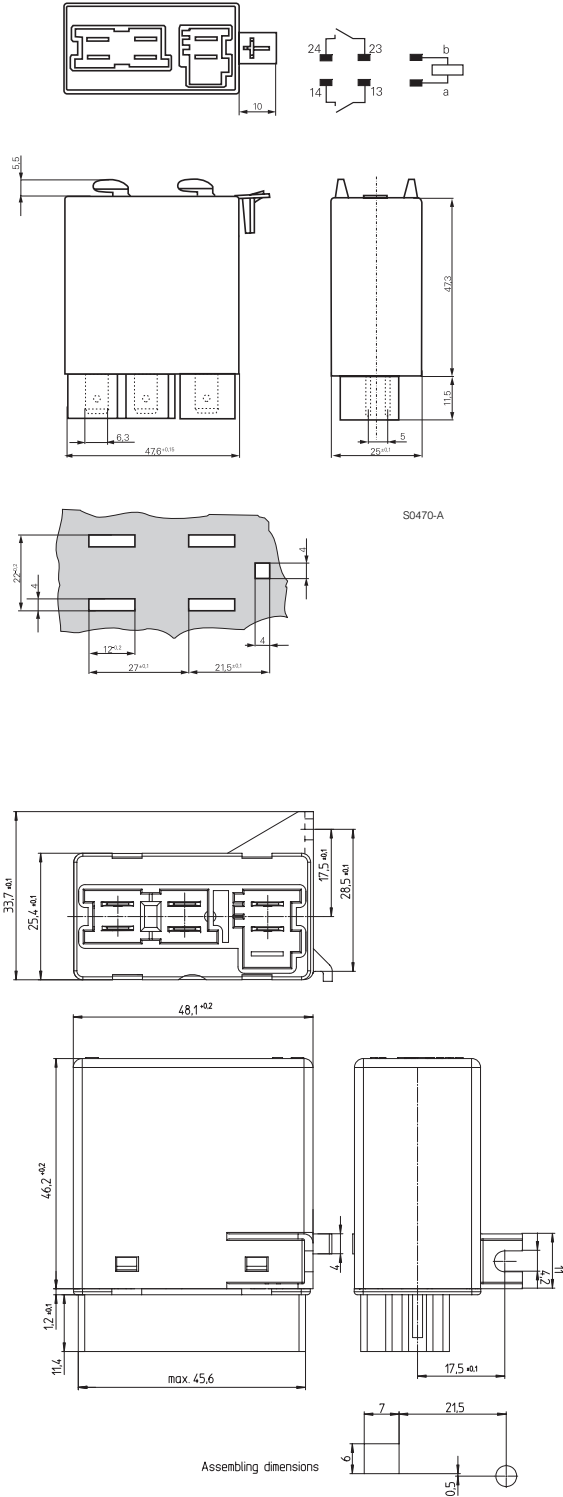
Insulation

Dielectric strength coil-contact circuit	4000 V _{rms}
open contact circuit	2000 V _{rms}
adjacent contact circuits	4000 V _{rms}
Clearance / creepage coil-contact circuit	≥ 6 / 8 mm
Material group of insulation parts	IIIa
Tracking index of relay base	PTI 250
Insulation to IEC 61810-1	
Type of insulation coil-contact circuit	reinforced
open contact circuit	full disconnection 3 mm
adjacent contact circuits	reinforced
Rated insulation voltage	250 V
Pollution degree	3
Rated voltage system	230 / 400 V
Overvoltage category	III

Other data

Mechanical endurance DC-coil	2x10 ⁶ cycles
AC-coil	0,5x10 ⁶ cycles
Material	
RoHS - Directive 2002/95/EC	compliant as per product date code 0349
Environment	
Ambient temperature range	-20...+85°C
Vibration resistance (function) NO (5...500Hz)	2 g
Shock resistance (destruction)	80 g
Category of protection	RT1 - dust protected
Processing	
Mounting	snap or screw mounting
Relay weight	92 g
Packaging unit	50 pcs

Dimensions



Rast 5 Power Relay 419 11 (EA/..) (Continued)

Product key	Typical product key	0419	1	1	03	0	1	00
Type	0419 Rast 5 Power Relay 419 11 (EA/..)							
Mounting	<ul style="list-style-type: none"> 1 Snap mounting, 1.0 mm panel 2 Snap mounting, 1.5 mm panel 3 Screw mounting 							
Version	<ul style="list-style-type: none"> 1 2 coil connectors 2 3 coil connectors 							
Coil	Coil code: please refer to coil versions table							
Contact material	0 AgCu 3							
Contact connectors	1 Silver plated							
Version	00 Standard							

Other types on request

Product key	Version	Cont-material	Cont.configuration	Coil	Coil	Part number
0419 11 0301 00	Snap Mounting	AgCu3	2 NO	AC-coil	230 VAC	3-1415419-5
0419 11 1201 00	1.0 mm plate		contacts	DC-coil	12 VDC	4-1415419-0
0419 11 1301 00					24 VDC	4-1415419-2
0419 31 0301 00	Screw Mounting			AC-coil	230 VAC	4-1415419-9
0419 31 1301 00				DC-coil	24 VDC	5-1415419-5