

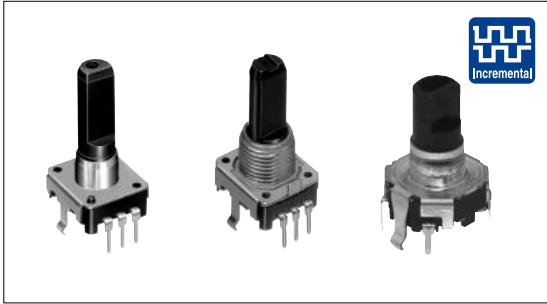
Encoder 12mm Size Insulated Shaft Type

EC12 Series



Insulated shaft type with a wide variety of applications.

Detector
Push
Slide
Rotary
Encoders



Typical Specifications

Items		Specifications
Rating		0.5mA 5V DC
Operating life	Without detent	15,000cycles 30,000cycles(Lightest(jog))
	With detent	30,000cycles

Power
Dual-in-line
Package Type

TACT Switch™
Custom-
Products

**Incremental
Type**
Absolute
Type

Product Line

Actuator length (mm)	Detent torque (mN·m)	Number of detent	Number of pulse	Operating direction	Operating force of switch(N)	Travel of push-on switch (mm)	Minimum order unit (pcs.)	Product No.	Drawing No.
15	Standard 3 to 20	12	12	Vertical	—	—	1,200	EC12E1220407	2
20								EC12E1220406	1
25								EC12E1220405	
8.5 (Hollow shaft)								EC12E1220301	3
20	Lightest(jog) 3 ± 2	24	24					EC12E1240405	1
25								EC12E1240406	
8.5 (Hollow shaft)								EC12E1240301	3
15								Standard 3 to 20	24
17.5	EC12E24204A7	1							
20	EC12E24204A8								
25	EC12E24204A9								
8.5 (Hollow shaft)	Lightest(jog) 3 ± 2	24	24					EC12E2420301	3
20				EC12E24404A8	1				
25				EC12E24404A6					
8.5 (Hollow shaft)				EC12E2440301	3				
20	Lightest(jog) 10 max.	Without	24	EC12E24104A6	1				
25	Standard 25 ± 15			EC12E2430404					
				EC12E2430401					

Product Line
With Bushing Type

Actuator length (mm)	Detent torque (mN·m)	Number of detent	Number of pulse	Operating direction	Operating force of switch (N)	Travel of push-on switch (mm)	Minimum order unit (pcs.)	Product No.	Drawing No.
25	Standard 3 to 20	12	12	Vertical	—	—	950	EC12E1220813	4
20		24	EC12E2420802						
25			EC12E2420801						
30			EC12E2420803						
20	Standard 25 ± 15		Without	EC12E2430804					
25		EC12E2430803							
30		Heavy 40 ± 15		EC12E2460802					

Detector
Push
Slide
Rotary

Encoders

Power

Dual-in-line
Package Type

TACT Switch™

Custom-
Products

With Switch Type


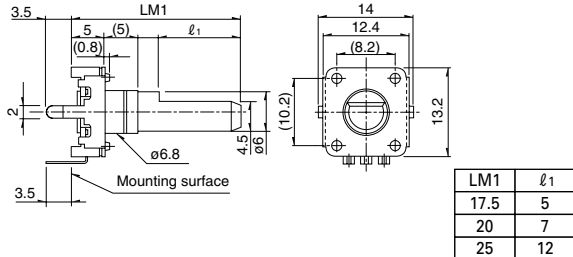
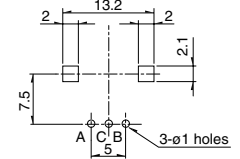

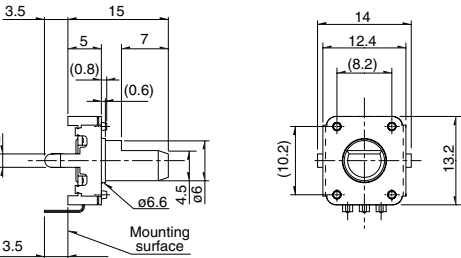
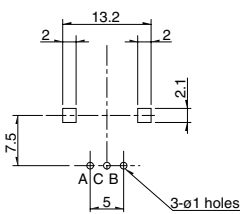
Actuator length (mm)	Detent torque (mN·m)	Number of detent	Number of pulse	Operating direction	Operating force of switch (N)	Travel of push-on switch (mm)	Minimum order unit (pcs.)	Product No.	Drawing No.
17.5	5 ± 3	30	15	Vertical	3	0.5	1,280	EC12D1524403	5
	10 ± 5				6			EC12D1564402	
	5 ± 3				EC12D1524406				
	10 ± 5				EC12D1564404				

Note

Nuts and washers are not included. If required, please contact us.

Dimensions

Unit:mm

No.	Photo	Style	PC board mounting hole dimensions (Viewed from mounting face)								
1		 <table border="1" data-bbox="976 1473 1098 1563"> <thead> <tr> <th>LM1</th> <th>ℓ1</th> </tr> </thead> <tbody> <tr> <td>17.5</td> <td>5</td> </tr> <tr> <td>20</td> <td>7</td> </tr> <tr> <td>25</td> <td>12</td> </tr> </tbody> </table>	LM1	ℓ1	17.5	5	20	7	25	12	
LM1	ℓ1										
17.5	5										
20	7										
25	12										
2											

Incremental
Type

Absolute
Type

Refer to P.194 for product varieties.

Dimensions

Unit:mm

No.	Photo	Style	PC board mounting hole dimensions (Viewed from mounting side)												
3															
4		<table border="1"> <thead> <tr> <th>LM1</th> <th>A</th> <th>l₁</th> </tr> </thead> <tbody> <tr> <td>20</td> <td>—</td> <td>7</td> </tr> <tr> <td>25</td> <td>—</td> <td>12</td> </tr> <tr> <td>30</td> <td>5</td> <td>12</td> </tr> </tbody> </table>	LM1	A	l ₁	20	—	7	25	—	12	30	5	12	
LM1	A	l ₁													
20	—	7													
25	—	12													
30	5	12													
5															

Product Varieties








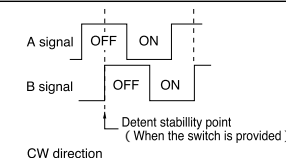
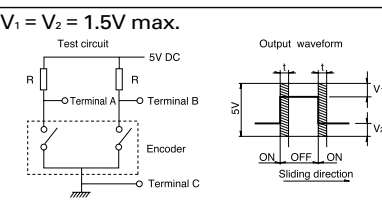
Shaft Dimensions

Flat Type

Unit:mm

<p>With high collar type</p>	<p>Detailed dimensions</p> <table border="1"> <thead> <tr> <th>LM₁</th> <th>l₁</th> </tr> </thead> <tbody> <tr> <td>17.5</td> <td>5</td> </tr> <tr> <td>20</td> <td>7</td> </tr> <tr> <td>22.5</td> <td>7</td> </tr> <tr> <td>25</td> <td>12</td> </tr> <tr> <td>30</td> <td>12</td> </tr> </tbody> </table>	LM ₁	l ₁	17.5	5	20	7	22.5	7	25	12	30	12			
LM ₁	l ₁															
17.5	5															
20	7															
22.5	7															
25	12															
30	12															
<p>With bushing type</p>	<p>Detailed dimensions</p> <table border="1"> <thead> <tr> <th>LM₁</th> <th>L_B</th> <th>l₁</th> </tr> </thead> <tbody> <tr> <td>20</td> <td>7</td> <td>7</td> </tr> <tr> <td>25</td> <td>7</td> <td>12</td> </tr> <tr> <td>30</td> <td>12</td> <td>12</td> </tr> <tr> <td>35</td> <td>12</td> <td>12</td> </tr> </tbody> </table> <p>Excluding the 12 detent type</p>	LM ₁	L _B	l ₁	20	7	7	25	7	12	30	12	12	35	12	12
LM ₁	L _B	l ₁														
20	7	7														
25	7	12														
30	12	12														
35	12	12														

List of Varieties

Type	Metal shaft					Insulated shaft		
	11mm size			20mm size	12mm size			
Series	EC11G	EC11J	EC11K	EC20A/RK203	EC12E Standard detent	EC12E Without detent	EC12D With push-on switch	
Photo								
Output	Incremental							
Outline specifications	Shaft types	Single-shaft						
	Operating direction	Vertical						
	Number of pulse/ Number of detent	15/30	9/18 15/30		18/18	12/12 24/24	15/30	
	Push switch (Travel mm)	Without With(1.5)	Without With(0.5, 1.5)		Without With(1.5)	Without	With(0.5)	
	Optional functions	_____						
	Changeover angle	_____						
Dimensions (mm)	W	11.7			2.0	12.4	12.5	
	D	12	14.2		19.2	13.2	11.7	
	H	4.5			10	5		
Soldering	Manual soldering	350 max. 3s max.						
	Dip soldering	260 ± 5 , 5 ± 1s	_____	260 ± 5 , 5 ± 1s		260 ± 5 , 3 ± 1s		
	Reflow soldering	_____	Please see P.189					
Operating temperature range	-30 to +85	-40 to +85		-30 to +80	-10 to +70	-40 to +85		
Maximum operating current(Resistive load)	10mA			1mA	5mA	10mA		
Electrical performance	Output signal	Output of A and B signals, proportionate to phase difference						
	Output wave	Please see P.191						
	Sliding noise	Please see P.191				<p>$V_1 = V_2 = 1.5V$ max.</p>  <p>Measurement condition : Rotation speed 360°/s t : Masking time to avoid chattering</p> <p>At R = 10k Chattering : 3ms max. Bounce : 2ms max. At R = 5k Chattering : 3ms max. Bounce : 2ms max.</p>		
	Insulation resistance	100M min. 250V DC			10M min. 50V DC		100M min. 250V DC	
	Voltage proof	300V AC for 1minute			50V AC for 1minute		300V AC for 1minute or 360V AC for 1s.	
Mechanical performance	Rotational torque	$7 \pm \frac{3}{4} mN \cdot m$		_____		$10 mN \cdot m$ max. $25 \pm 15 mN \cdot m$ $40 \pm 15 mN \cdot m$		
	Detent torque	$10 \pm 7 mN \cdot m$		$12 \pm 5 mN \cdot m$		$40 \pm 20 mN \cdot m$		
	Push-pull strength	100N			80N		100N	
Environmental performance	Cold	-40 ± 3 for 240h			-40 ± 3 for 240h ± 10h			
	Dry heat	85 ± 3 for 240h			85 ± 3 for 240h ± 10h			
	Damp heat	60 ± 2 , 90 to 95% RH for 240h			60 ± 2 , 90 to 95%RH for 240h ± 10h			
Push-on Switch Specifications	Circuit · number of contacts	Single pole and single throw (Push-on)					Single pole and single throw (Push-on)	
	Travel(mm)	0.5 ± 0.3	1.5 ± 0.5	0.5 ± 0.3	1.5 ± 0.5	0.5 ± 0.3	1.5 ± 0.5	
	Operating force(N)	$6 \pm \frac{2}{5}$	4 ± 2	5 ± 2	4 ± 2	5 ± 2	4 ± 2	
	Rating	0.5A 16V DC (1mA 16V DC min. ratings)		0.1A 5V DC		0.5A 16V DC (1mA 16V DC min. ratings)		
	Contact esistance	100m for initial period; 200m after operating life					100m for initial period; 200m after operating life	
	Operating life	20,000times min.	1,000,000 times min.	500,000 times min.	1,000,000 times min.	100,000 times min.	20,000times min.	
Page	181		187		190		192	

- Detector
- Push
- Slide
- Rotary
- Encoders
- Power
- Dual-in-line Package Type
- TACT Switch™
- Custom-Products

- Incremental Type
- Absolute Type