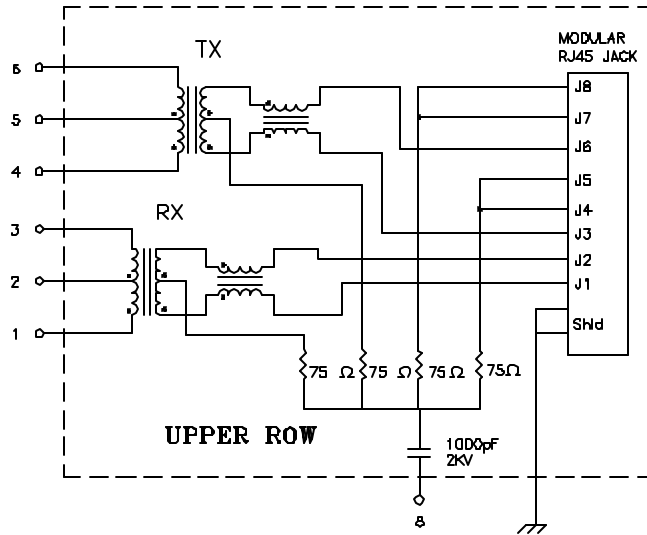
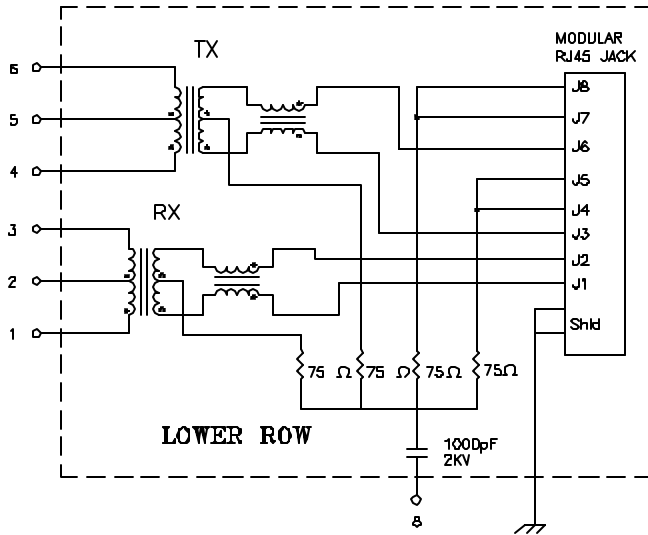


Schematic:



Electrical Specifications: 25°C

TURNS RATIO: TX 1CT:1CT±3%, RX 1CT:1CT±3%
 Isolation Voltage: 1500 Vrms (INPUT to OUTPUT)
 UTP SIDE OCL: 350uH Min @100KHz 100mV 8mADC
 Rise Time (10–90%): 2.5ns Typical
 Insertion Loss (1–100MHz): –1.0dB Maximum
 Insertion Loss (100MHz–125MHz): –1.5dB Typ.
 Return Loss: –20dB Typ. @30MHz
 –12dB Typ @80MHz
 Crosstalk 32MHz: 40.0dB Min
 62MHz: 35.0dB Min
 100MHz: 30.0dB Min
 CMRR 100KHz–100MHz: 35.0dB Typ

Notes:

1. Solderability: Leads shall meet MIL–STD–202G, Method 208H for solderability.
2. Flammability: UL94V–0
3. ASTM oxygen index: > 28%
4. Insulation System: Class F 155°C. UL file E151558
5. Operating Temperature Range: All listed parameters are to be within tolerance from –40°C to +85°C
6. Storage Temperature Range: –55°C to +125°C
7. Aqueous wash compatible
8. Electrical and mechanical specifications 100% tested
9. RoHS Compliant Component

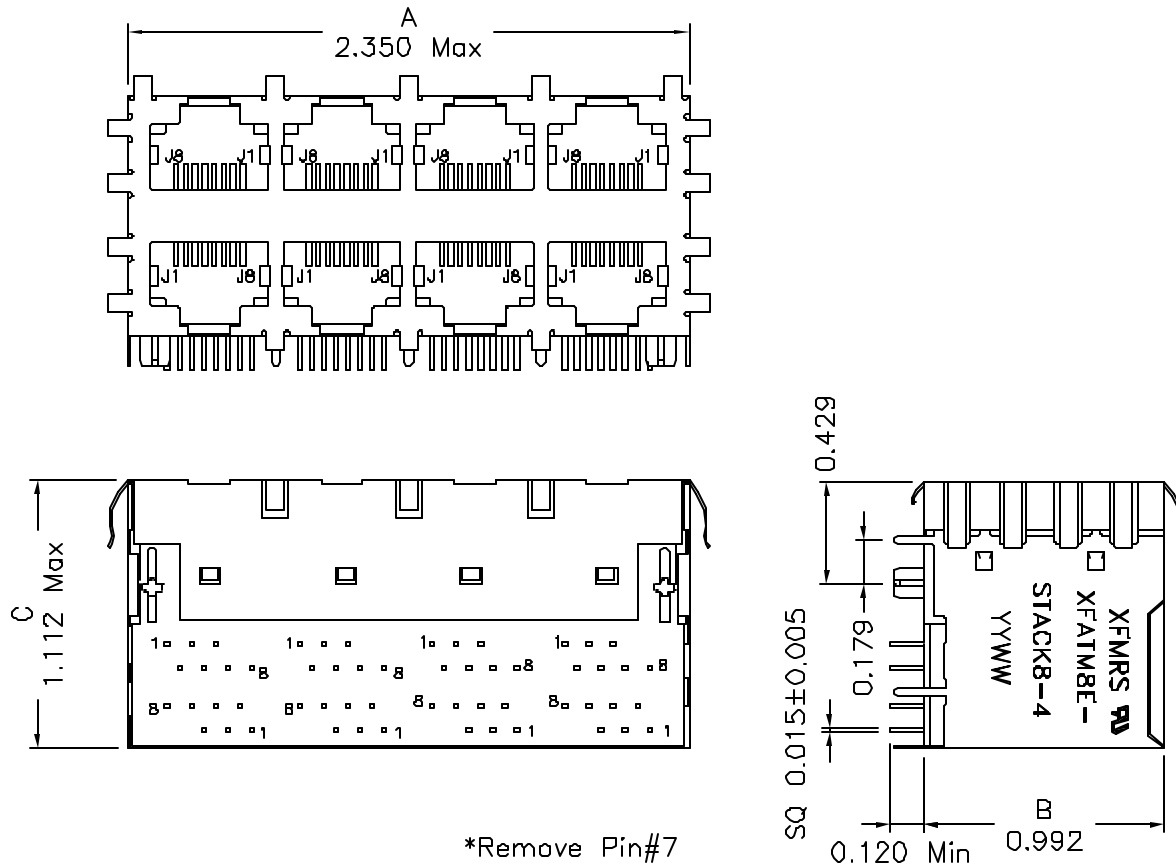
DOC REV: A/6

XFMRs Inc. www.XFMRs.com	Title: 2x4 STACKED COMBO SERIES		
	UNLESS OTHERWISE SPECIFIED		P/N: XFATM8E–STACK8–4
TOLERANCES:	DWN.		REV. A
.xxx ±0.010	CHK.		Juan Mao
Dimensions in Inch	APP.		YK Liao
SHEET 1 OF 2	APP.		Aug–23–06
	APP.		BW
	APP.		Aug–23–06

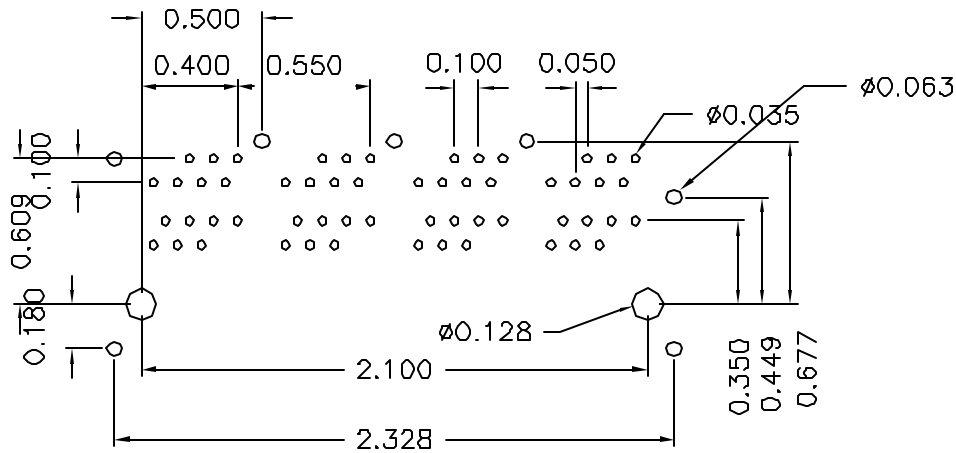
PROPRIETARY:

Document is the property of XFMRs Group & is not allowed to be duplicated without authorization.

Mechanical Dimensions:



*Remove Pin#7



SUGGESTED MOUNTING PATTERN (COMPONENT SIDE)

DOC REV: A/6

XFMRs Inc. www.XFMRS.com	Title: Mechanical Dimensions For 2x4 STACKED COMBO Series		
	UNLESS OTHERWISE SPECIFIED TOLERANCES: .xxx ±0.010 Dimensions in Inch	P/N: XFATM8E-STACK8-4	REV. A
SHEET 2 OF 2	APP. BW	YK Liao Aug-23-06	Aug-23-06

PROPRIETARY:

Document is the property of XFMRs Group & is not allowed to be duplicated without authorization.