

RoHS Compliant & Pb-Free Product
Package Style: Module (4mmx4mm)

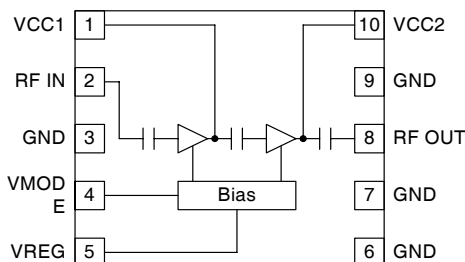


Features

- Input/Output Internally Matched @ 50Ω
- 28.5 dBm Linear Output Power
- 39% Peak Linear Efficiency
- 28dB Linear Gain
- -48dBc ACPR @ 1.25 MHz

Applications

- 3V CDMA US-PCS Handset
- 3V CDMA2000/1XRTT US-PCS Handset
- 3V CDMA2000/1X-EV-DO US-PCS Handset
- Spread-Spectrum System



Functional Block Diagram

Product Description

The RF6100-4 is a high-power, high-efficiency linear amplifier module specifically designed for 3V handheld systems. The device is manufactured on an advanced third generation GaAs HBT process, and was designed for use as the final RF amplifier in 3V IS-95/CDMA 2000 1X handheld digital cellular equipment, spread-spectrum systems, and other applications in the 1850MHz to 1910MHz band. The RF6100-4 has a digital control line for low power applications to lower quiescent current. The device is self-contained with 50Ω input and output that is matched to obtain optimum power, efficiency and linearity. The module is a 4mmx4mm land grid array with backside ground. The RF6100-4 is footprint compatible with industry standard 4mmx4mm CDMA modules, and requires only one decoupling capacitor.

Ordering Information

RF6100-4 3V 1900MHz Linear Power Amplifier Module
RF6100-4PCBA-41X Fully Assembled Evaluation Board

Optimum Technology Matching® Applied

- | | | | |
|--|--------------------------------------|-------------------------------------|-----------------------------------|
| <input checked="" type="checkbox"/> GaAs HBT | <input type="checkbox"/> SiGe BiCMOS | <input type="checkbox"/> GaAs pHEMT | <input type="checkbox"/> GaN HEMT |
| <input type="checkbox"/> GaAs MESFET | <input type="checkbox"/> Si BiCMOS | <input type="checkbox"/> Si CMOS | |
| <input type="checkbox"/> InGaP HBT | <input type="checkbox"/> SiGe HBT | <input type="checkbox"/> Si BJT | |

RF MICRO DEVICES®, RFMD®, Optimum Technology Matching®, Enabling Wireless Connectivity™, PowerStar®, POLARIS™ TOTAL RADIO™ and UltimateBlue™ are trademarks of RFMD, LLC. BLUETOOTH is a trademark owned by Bluetooth SIG, Inc., U.S.A. and licensed for use by RFMD. All other trade names, trademarks and registered trademarks are the property of their respective owners. ©2006, RF Micro Devices, Inc.

Absolute Maximum Ratings

Parameter	Rating	Unit
Supply Voltage (RF off)	+8.0	V
Supply Voltage ($P_{OUT} \leq 31$ dBm)	+5.2	V
Control Voltage (V_{REG})	+3.9	V
Input RF Power	+10	dBm
Mode Voltage (V_{MODE})	+3.5	V
Operating Temperature	-30 to +110	°C
Storage Temperature	-40 to +150	°C



Caution! ESD sensitive device.

Exceeding any one or a combination of the Absolute Maximum Rating conditions may cause permanent damage to the device. Extended application of Absolute Maximum Rating conditions to the device may reduce device reliability. Specified typical performance or functional operation of the device under Absolute Maximum Rating conditions is not implied.

RoHS status based on EU Directive 2002/95/EC (at time of this document revision).

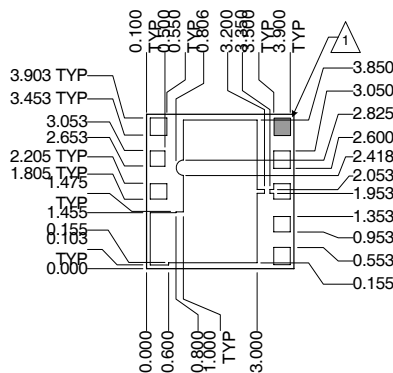
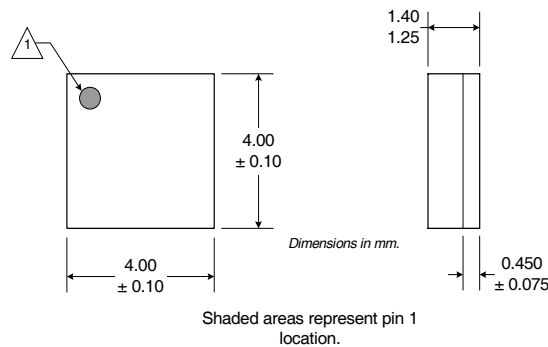
The information in this publication is believed to be accurate and reliable. However, no responsibility is assumed by RF Micro Devices, Inc. ("RFMD") for its use, nor for any infringement of patents, or other rights of third parties, resulting from its use. No license is granted by implication or otherwise under any patent or patent rights of RFMD. RFMD reserves the right to change component circuitry, recommended application circuitry and specifications at any time without prior notice.

Parameter	Specification			Unit	Condition
	Min.	Typ.	Max.		
High Gain Mode (V_{MODE} Low)					T=25°C Ambient, $V_{CC}=3.4$ V, $V_{REG}=2.8$ V, $V_{MODE}=0$ V, and $P_{OUT}=28.5$ dBm for all parameters (unless otherwise specified).
Operating Frequency Range	1850		1910	MHz	
Linear Gain	26	28	31	dB	
Second Harmonics		-35	-30	dBc	
Third Harmonics		-40		dBc	
Maximum Linear Output	28.5			dBm	
Linear Efficiency	35	39		%	
Maximum I_{CC}		535	600	mA	
ACPR @ 1.25 MHz		-48	-46	dBc	
ACPR @ 2.25 MHz		-62	-56	dBc	
Input VSWR		2:1			
Output VSWR Stability			6:1		No oscillation > -70 dBc
			10:1		No damage
Noise Power		-139		dBm/Hz	At 80 MHz offset.
Low Gain Mode (V_{MODE} High)					T=25°C Ambient, $V_{CC}=3.4$ V, $V_{REG}=2.8$ V, $V_{MODE}=2.8$ V, and $P_{OUT}=28.5$ dBm for all parameters (unless otherwise specified).
Operating Frequency Range	1850		1910	MHz	
Linear Gain	25	27	31	dB	
Second Harmonics		-35	-30	dBc	
Third Harmonics		-40		dBc	
Maximum Linear Output	28.5			dBm	
Linear Efficiency	35	39		%	
ACPR @ 1.25 MHz		-48	-46	dBc	
ACPR @ 2.25 MHz		-60	-56	dBc	
Maximum I_{CC}		140	165	mA	$P_{OUT}=16$ dBm
Linear Gain		26		dB	$P_{OUT}=16$ dBm
Input VSWR		2:1			
Output VSWR Stability			6:1		No oscillation > -70 dBc
			10:1		No damage

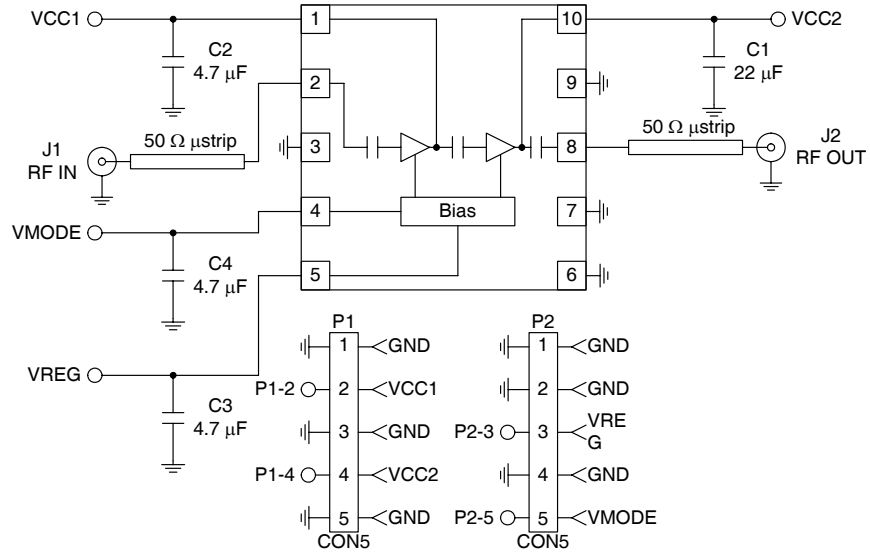
Parameter	Specification			Unit	Condition
	Min.	Typ.	Max.		
Power Supply					T=25°C Ambient
Supply Voltage	3.2	3.4	4.2	V	
High Gain Idle Current	60	75	90	mA	V _{MODE} =low and V _{REG} =2.8V
Low Gain Idle Current	50	65	80	mA	V _{MODE} =high and V _{REG} =2.8V
V _{REG} Current		1.1	2	mA	V _{CC} =3.4V, V _{REG} =2.8V
V _{MODE} Current		250	500	uA	
RF Turn On/Off Time		1.2	6	uS	
DC Turn On/Off Time		2	40	uS	
Total Current (Power Down)		0.2	5	uA	
V _{REG} Low Voltage (Power Down)	0		0.5	V	
V _{REG} High Voltage (Recommended)	2.75	2.8	2.95	V	
V _{REG} High Voltage (Operational)	2.7		3.0	V	
V _{MODE} Voltage	0		0.5	V	High Gain Mode
V _{MODE} Voltage	2.0		3.0	V	Low Gain Mode

Pin	Function	Description	Interface Schematic
1	VCC1	First stage collector supply. A low frequency decoupling capacitor (e.g., 4.7 μ F) may be required.	
2	RF IN	RF input internally matched to 50 Ω . This input is internally AC-coupled.	
3	GND	Ground connection. Connect to package base ground. For best performance, keep traces physically short and connect immediately to ground plane.	
4	VMODE	For nominal operation (High Power Mode), V _{MODE} is set LOW. When set HIGH, devices are biased lower to improve efficiency.	
5	VREG	Regulated voltage supply for amplifier bias. In Power Down mode, both V _{REG} and V _{MODE} need to be LOW (<0.5V).	
6	GND	Ground connection. Connect to package base ground. For best performance, keep traces physically short and connect immediately to ground plane.	
7	GND	Ground connection. Connect to package base ground. For best performance, keep traces physically short and connect immediately to ground plane.	
8	RF OUT	RF Output internally matched to 50 Ω . This output is internally AC-coupled.	
9	GND	Ground connection. Connect to package base ground. For best performance, keep traces physically short and connect immediately to ground plane.	
10	VCC2	Output stage collector supply. A low frequency decoupling capacitor (e.g., 4.7 μ F) is required.	
Pkg Base	GND	Ground connection. The backside of the package should be soldered to a top side ground pad which is connected to the ground plane with multiple vias. The pad should have a short thermal path to the ground plane.	

Package Drawing



Evaluation Board Schematic



PCB Design Requirements

PCB Surface Finish

The PCB surface finish used for RFMD's qualification process is electroless nickel, immersion gold. Typical thickness is 3µinch to 8µinch gold over 180µinch nickel.

PCB Land Pattern Recommendation

PCB land patterns are based on IPC-SM-782 standards when possible. The pad pattern shown has been developed and tested for optimized assembly at RFMD; however, it may require some modifications to address company specific assembly processes. The PCB land pattern has been developed to accommodate lead and package tolerances.

PCB Metal Land and Solder Mask Pattern

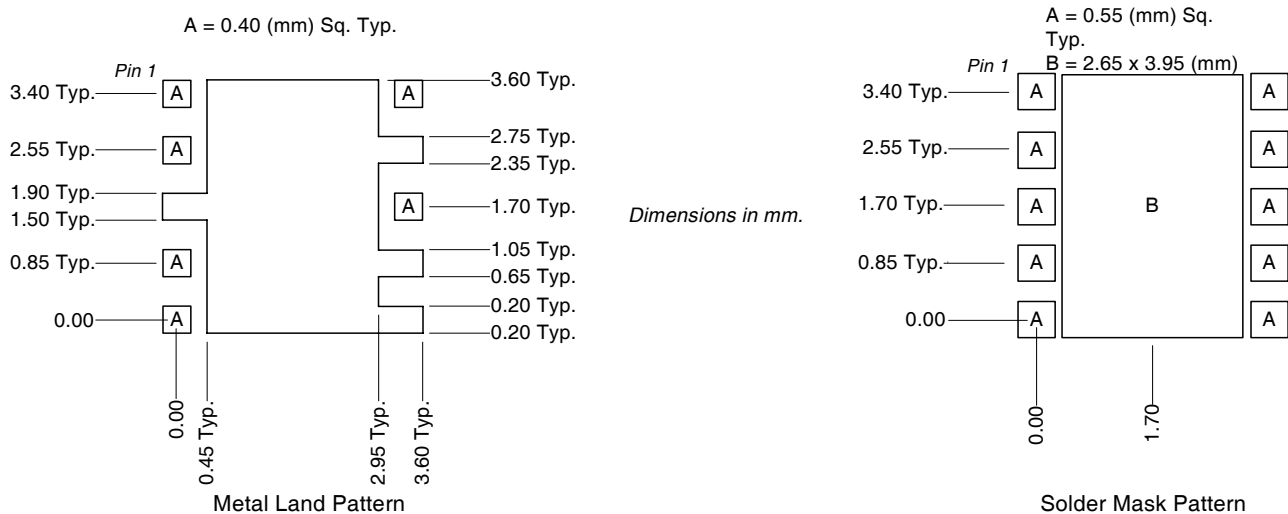


Figure 1. PCB Metal Land Pattern and Solder Mask Pattern (Top View)

Thermal Pad and Via Design

The PCB land pattern has been designed with a thermal pad that matches the exposed die paddle size on the bottom of the device.

Thermal vias are required in the PCB layout to effectively conduct heat away from the package. The via pattern has been designed to address thermal, power dissipation and electrical requirements of the device as well as accommodating routing strategies.

The via pattern used for the RFMD qualification is based on thru-hole vias with 0.203mm to 0.330mm finished hole size on a 0.5mm to 1.2mm grid pattern with 0.025mm plating on via walls. If micro vias are used in a design, it is suggested that the quantity of vias be increased by a 4:1 ratio to achieve similar results.

