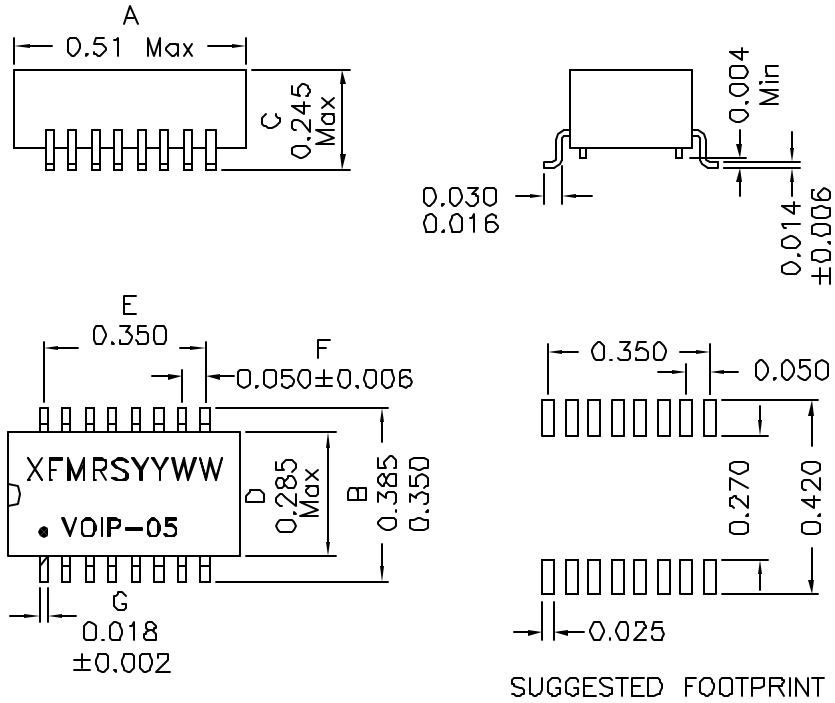
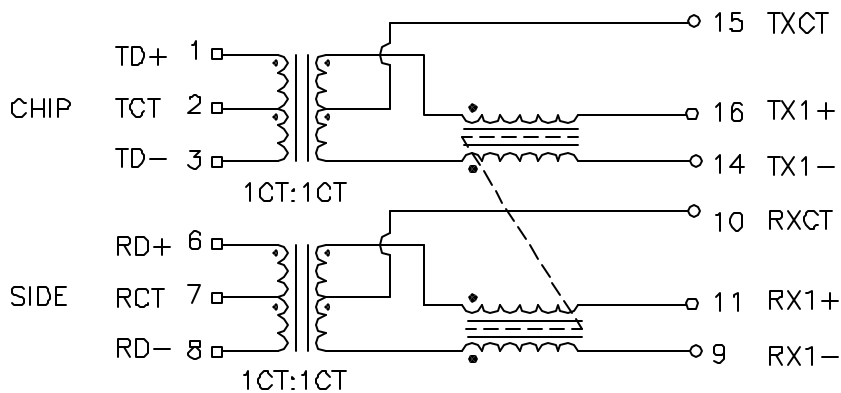


1. Mechanical Dimensions:



2. Schematic:



DOC REV: A/14

3. Electrical Specifications: @25°C

Isolation Voltage: 1500Vac

OCL: Pins 6-8 350uH Min @100KHz 0.1V, 8mAdc

Pins 1-3 350uH Min @100KHz 0.1V, 8mAdc

Q: Pins 6-8 10 Min @10KHz 50mV

Pins 1-3 10 Min @10KHz 50mV

Insertion Loss: 1.2dB Max @1-100 MHz

Return Loss: (Min @100 Ohms)

1-30MHz	40MHz	50MHz	60-80MHz
-16dB	-14dB	-13dB	-12dB

Differential to Common Mode Rejection: (Min)

30MHz	60MHz	100MHz
-43dB	-37dB	-33dB

Crosstalk: (Min)

30MHz	60MHz	100MHz
-45dB	-40dB	-35dB

DC Current: 350mA

Notes:

- Solderability: Leads shall meet MIL-STD-202G, Method 208H for solderability.
- Flammability: UL94V-0
- ASTM oxygen index: > 28%
- Insulation System: Class F 155°C, UL file E151558
- Operating Temperature Range: All listed parameters are to be within tolerance from -40°C to +85°C
- Storage Temperature Range: -55°C to +125°C
- Aqueous wash compatible
- SMD Lead Coplanarity: ±0.004" (0.102mm)
- Electrical and mechanical specifications 100% tested
- RoHS Compliant Component

PROPRIETARY

Document is the property of XFMRS Group & is not allowed to be duplicated without authorization.

XFMRS Inc www.XFMRS.com	Title: 10/100TX VOICE OVER IP MAGNETICS MODULES		
	UNLESS OTHERWISE SPECIFIED TOLERANCES: .xxx ±0.010 Inch Dimensions in Inch		SCALE 2.5:1 SHT 1 OF 1
P/N: XFVOIP-05		REV. A	
DWN.	Juan Mao	May-31-08	
CHK.	YK Liao	May-31-08	
APP.	BW	May-31-08	