



Single Port SMD 10/100 Base-TX High Speed LAN Magnetic Modules With Various Turns Ratios for 10/100 Base-TX over Cat-5 cable

- Designed to meet IEEE 802.3 and ANSI X3.263 standard including 350uH OCL with 8 mA bias
- Available with various package styles and pinout options for flexible circuit board layout
- Available with various circuit configuration
- Excellent EMI and Differential to Common Mode Rejection performance
- Designed to meet IR reflow at 235 Degree C peak temperature
- Custom design with other pinouts and packages are available



Operating Temperature: -25°C to +55°C.

Storage Temperature: -55°C to +80°C.

Electrical Specifications at 25 °C:

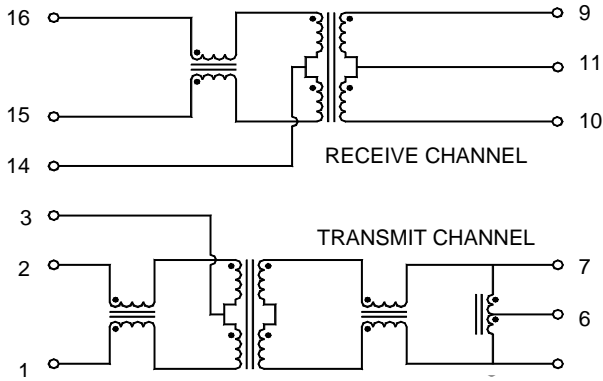
Part Number	Circuit	Package	Turn Ratio (+/-5%)		Insertion Loss dB Max 0.1-100MHz	CMRR dB (Typ.)			Return Loss dB (Typ.)			Crosstalk dB (Typ.)			Hipot Vrms min
			Xmit	Rcv		30MHz	60MHz	100MHz	30MHz	60MHz	80MHz	30MHz	60MHz	100MHz	
NT805-401	1	1	1CT:1CT	1CT:1CT	-1	-42	-37	-33	-20	-14	-11.5	-45	-40	-35	1500
NT805-402	2	1	1CT:1CT	1CT:1CT	-1	-42	-37	-33	-20	-14	-11.5	-45	-40	-35	1500
NT805-403	3	1	1CT:1CT	1CT:1CT	-1	-42	-37	-33	-20	-14	-11.5	-45	-40	-35	1500
NT805-501	1	2	1CT:1CT	1CT:1CT	-1	-42	-37	-33	-20	-14	-11.5	-45	-40	-35	1500
NT805-502	3	2	1CT:1CT	1CT:1CT	-1	-42	-37	-33	-20	-14	-11.5	-45	-40	-35	1500
NT805-503	4	2	1CT:1CT	1CT:1CT	-1	-42	-37	-33	-20	-14	-11.5	-45	-40	-35	1500
NT805-504	7	2	1CT:1CT	1CT:1CT	-1	-42	-37	-33	-20	-14	-11.5	-45	-40	-35	1500
NT805-551	3	2	1.25CT:1CT	1CT:1CT	-1	-42	-37	-33	-20	-14	-11.5	-45	-40	-35	1500
NT805-552	4	2	1.25CT:1CT	1CT:1CT	-1	-42	-37	-33	-20	-14	-11.5	-45	-40	-35	1500
NT805-553	5	2	1.25CT:1CT	1CT:1CT	-1	-42	-37	-33	-20	-14	-11.5	-45	-40	-35	1500
NT805-554	7	2	1.25CT:1CT	1CT:1CT	-1	-42	-37	-33	-20	-14	-11.5	-45	-40	-35	1500
NT805-555	6	2	1.4CT:1CT	1CT:1CT	-1	-42	-37	-33	-20	-14	-11.5	-45	-40	-35	1500
NT805-556	5	2	1.4CT:1CT	1CT:1CT	-1	-42	-37	-33	-20	-14	-11.5	-45	-40	-35	1500
NT805-557	7	2	1.4CT:1CT	1CT:1CT	-1	-42	-37	-33	-20	-14	-11.5	-45	-40	-35	1500
NT805-558	8	2	2CT:1	1CT:1CT	-1	-42	-37	-33	-20	-14	-11.5	-45	-40	-35	1500
NT805-559	3	2	1CT:1.4CT	1CT:1CT	-1	-42	-37	-33	-20	-14	-11.5	-45	-40	-35	1500
NT805-560	8	2	1CT:1.4CT	1CT:1CT	-1	-42	-37	-33	-20	-14	-11.5	-45	-40	-35	1500
NT805-561	9	2	2CT:1CT	1:1:1CT	-1	-42	-37	-33	-20	-14	-11.5	-45	-40	-35	1500
NT805-562	10	2	2CT:1	1:1:1CT	-1	-42	-37	-33	-20	-14	-11.5	-45	-40	-35	1500
NT805-601	5	3	1CT:1CT	1CT:1CT	-1.1	-42	-37	-33	-20	-14	-11.5	-45	-40	-35	1500
NT805-651	5	3	1.25CT:1CT	1CT:1CT	-1.1	-42	-37	-33	-20	-14	-11.5	-45	-40	-35	1500
NT805-652	5	3	1.4CT:1CT	1CT:1CT	-1.1	-42	-37	-33	-20	-14	-11.5	-45	-40	-35	1500
NT805-653	5	3	2CT:1CT	1CT:1CT	-1.1	-42	-37	-33	-20	-14	-11.5	-45	-40	-35	1500
NT805-654	5	3	1CT:1.4CT	1CT:1CT	-1.1	-42	-37	-33	-20	-14	-11.5	-45	-40	-35	1500

DATATRONICS: 28151 Highway 74, Romoland, CA 92585 Tel: 951-928-7700 Toll Free: 888-889-5391 Fax: 951-928-7701
Email: ddisales@datatronics.com

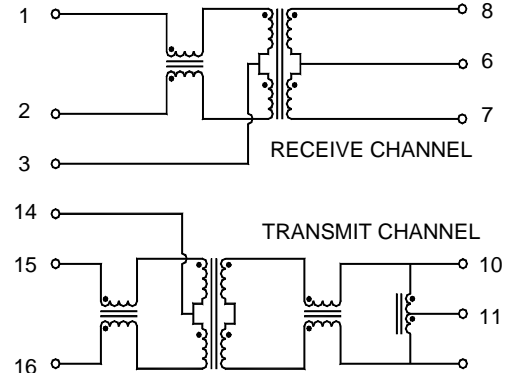
499 King's Road, Hong Kong Tel: (852) 2562 3858, (852) 2564 8477 Fax: (852) 2565 7214, (852) 2563 1290
All specifications are subject to change without notice.

SCHEMATICS

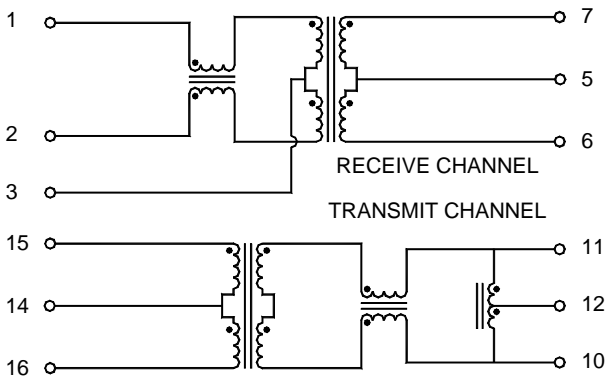
Circuit 1



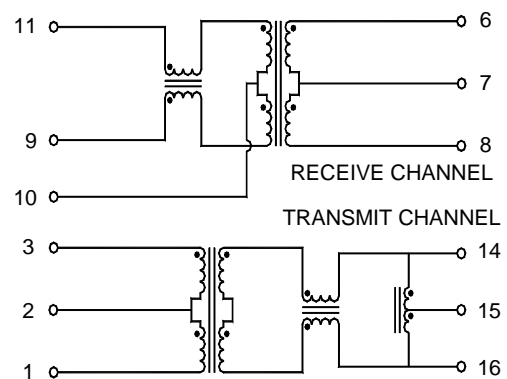
Circuit 2



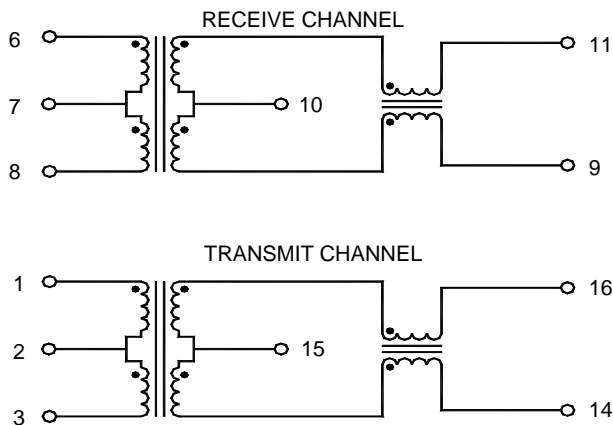
Circuit 3



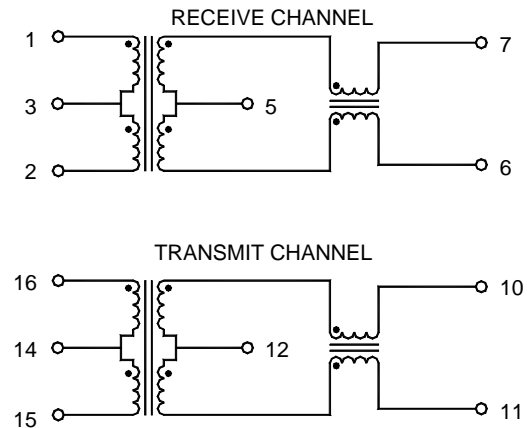
Circuit 4



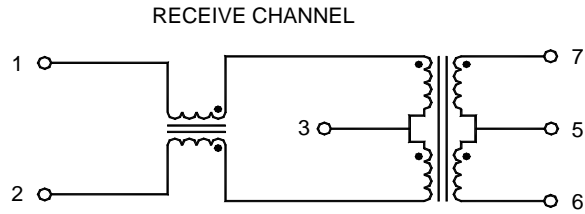
Circuit 5



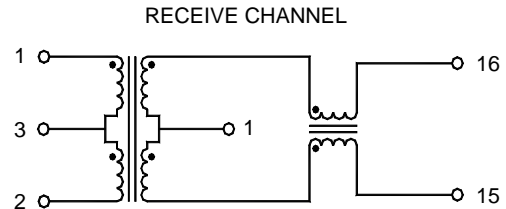
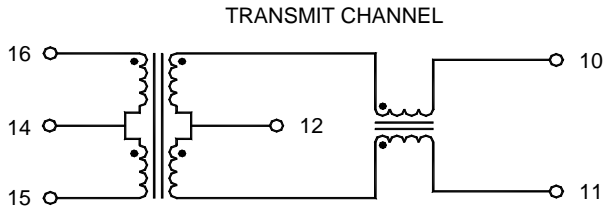
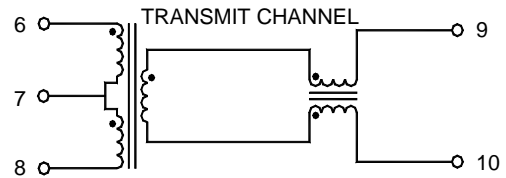
Circuit 6



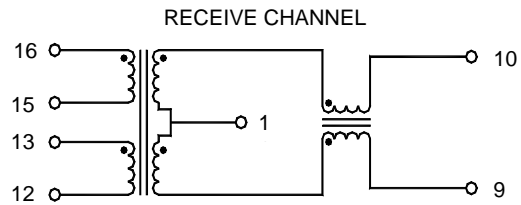
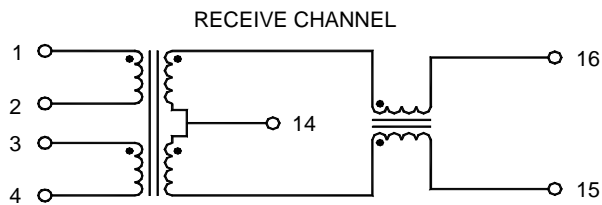
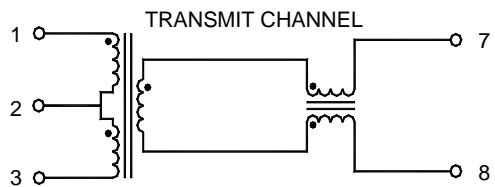
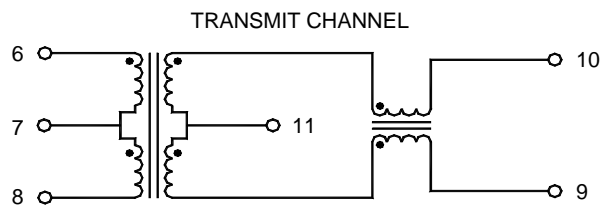
Circuit 7



Circuit 8



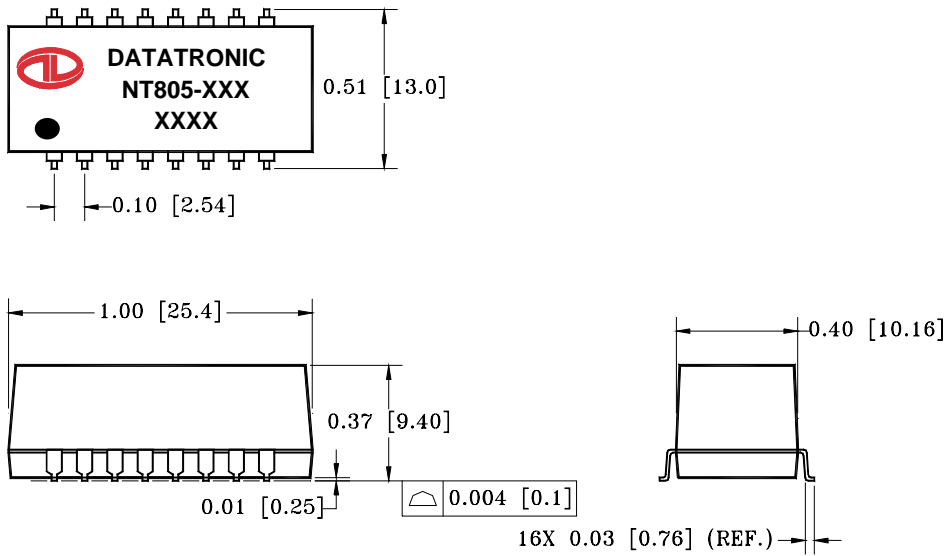
Circuit 9



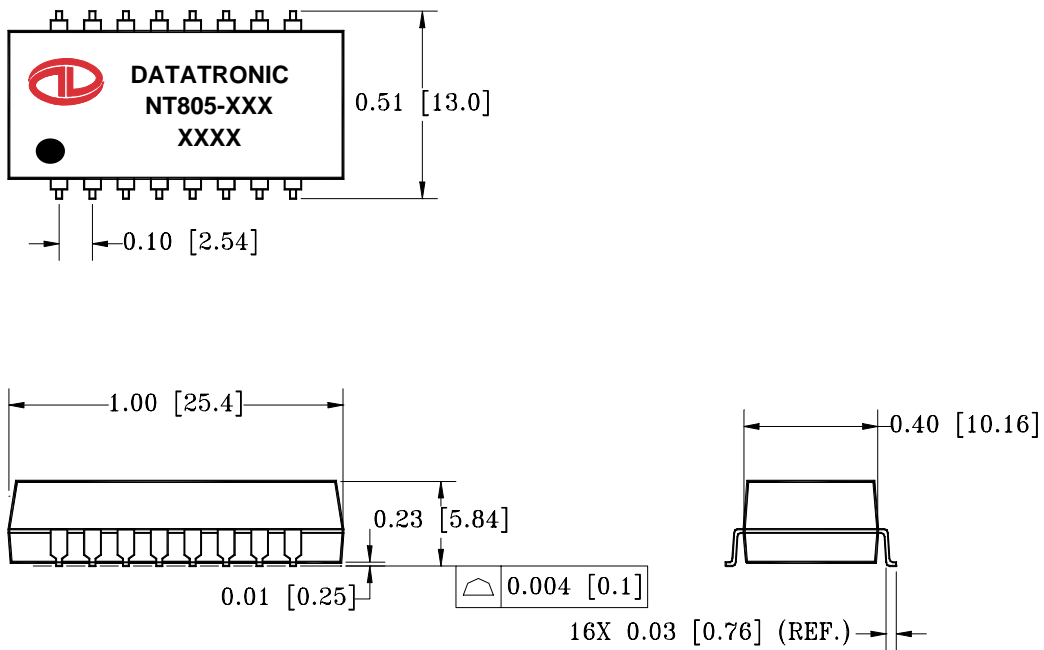
Circuit 10

MECHANICAL

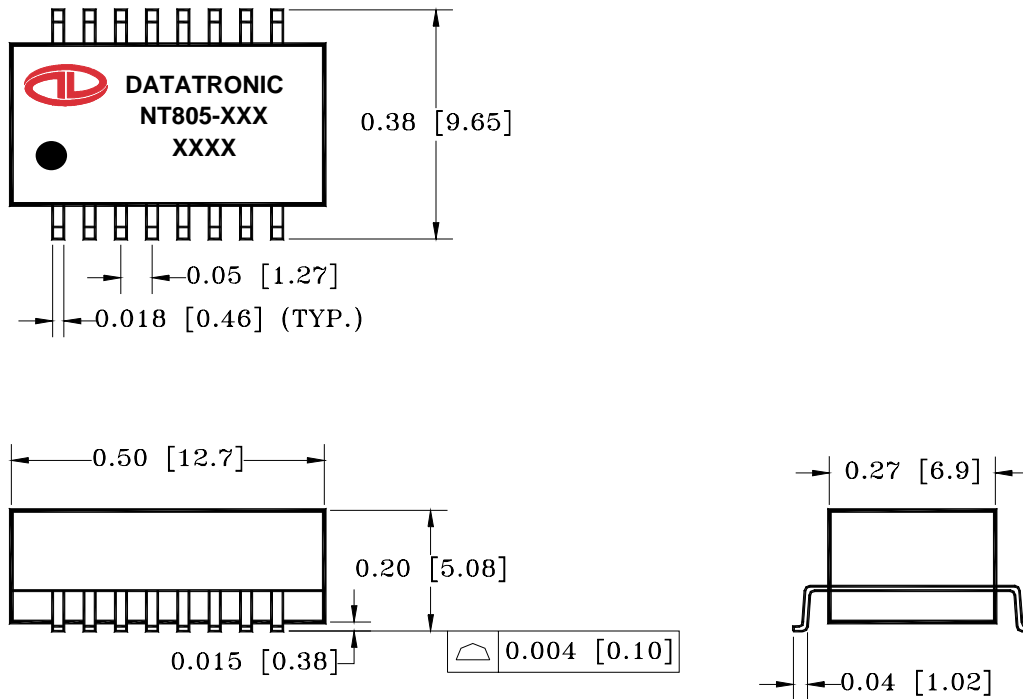
Package 1



Package 2



Package 3

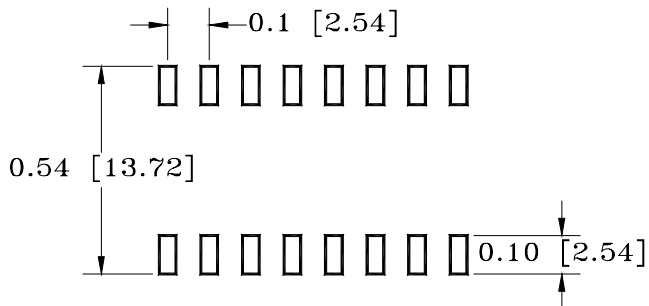


Dimensions:

Unit of all dimensions are inches [mm]
 All tolerance are +/-0.01 [0.25]

SUGGESTED PAD LAYOUT

For package 1 & 2



For package 3

