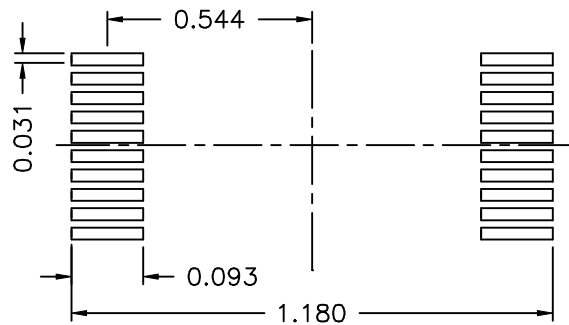
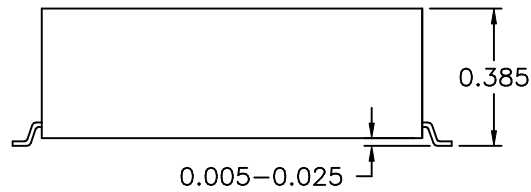
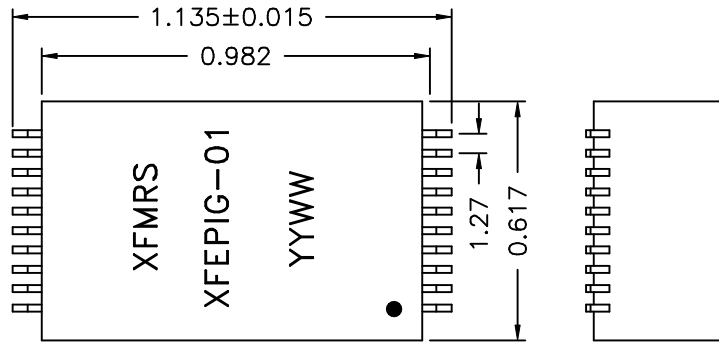
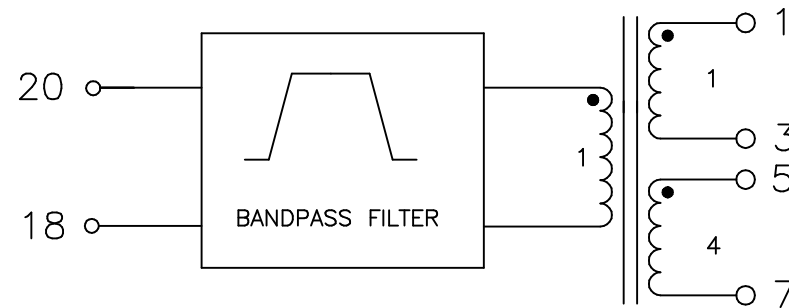


### 1. Dimensions:



RECOMMENDED PCB LAYOUT

### 2. Schematic:



### 3. Electrical Specifications: @25°C

Insertion Loss: -2.5dB Max. @4.25MHz - 9.75MHz

Attenuation @1.1MHz -60dB Min

@40MHz -40dB Min

CMRR: -20dB Min @30MHz - 100MHz

Return Loss: -9dB Min @4.25MHz - 9.75MHz

Cut-off Frequency: 3.5MHz to 11.5MHz

Doc Rev.: A/1

THIS DOCUMENT IS STRICTLY NOT ALLOWED TO BE DUPLICATED WITHOUT AUTHORIZATION

<b>XFMRS Inc</b>	Title: <b>FILTER</b>	
	UNLESS OTHERWISE SPECIFIED TOLERANCES: .xxx ±0.010 Dimensions in Inch	P/N: XFEPIG-01 REV. A DWN. 李清儿 May-07-99 CHK. 孙悦 May-07-99 APP. BW May-07-99
SCALE 1.5:1 SHT 1 OF 1		