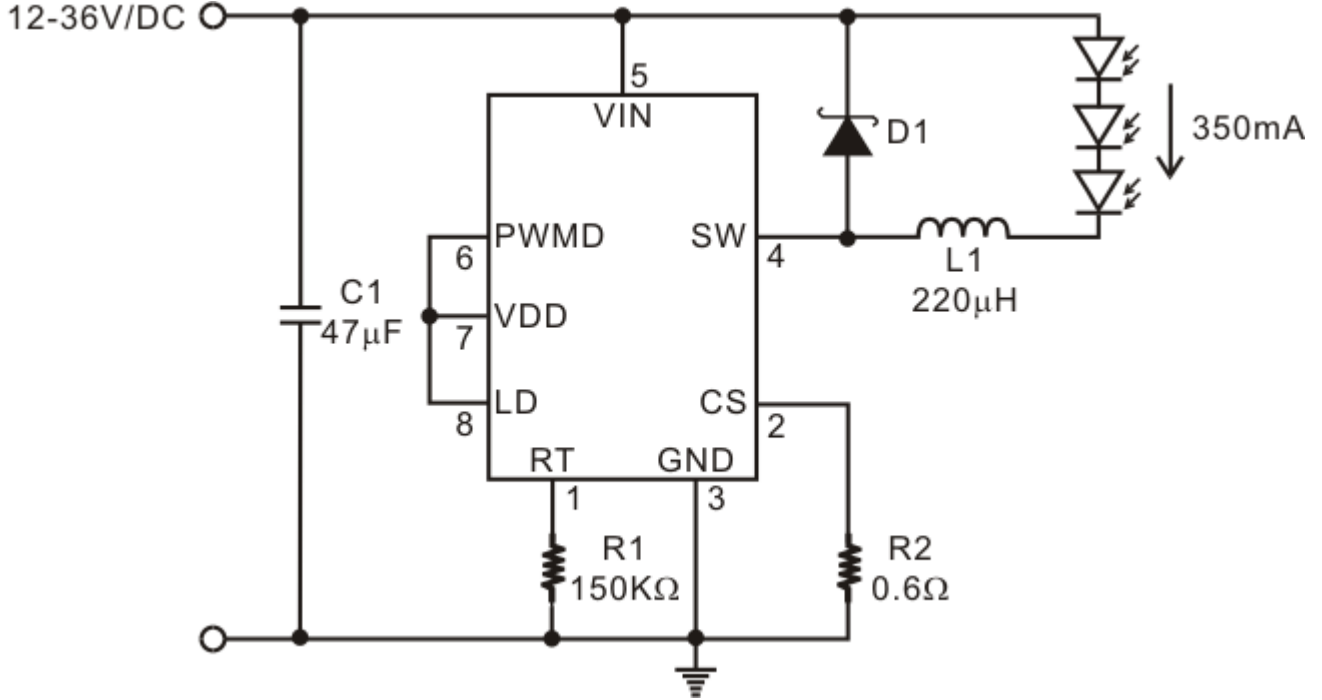


TYPICAL APPLICATION

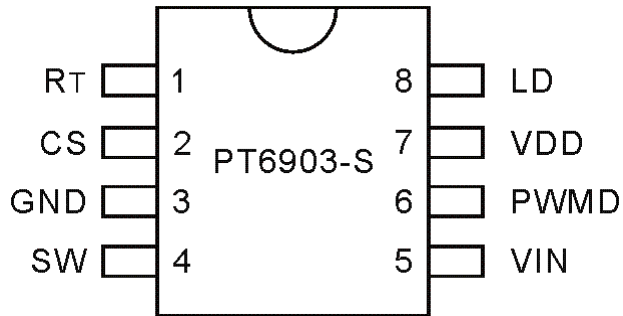


ORDER INFORMATION

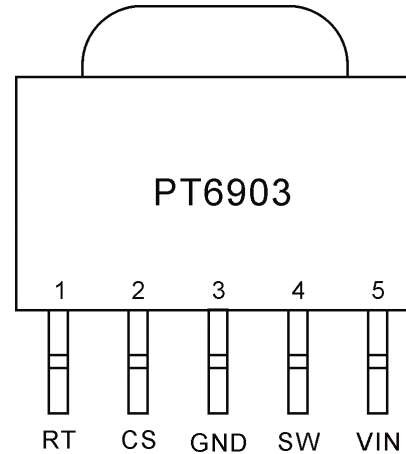
Valid Part Number	Package Type	Top Code
PT6903-S	8 Pins, SOP, 150 MIL	PT6903-S
PT6903	5 Pins, TO252	PT6903

PIN CONFIGURATION

8 PINS, SOP



5 PINS, TO252



PIN DESCRIPTION

Pin Name	Description	Pin No.	
		SOP-8	TO252
RT	Fixed off-time setting resistor	1	1
CS	LED string current sense	2	2
GND	Ground	3	3
SW	Internal switch	4	4
VIN	Positive input supply voltage	5	5
PWMD	PWMD dimming & enable input	6	
VDD	Internal regulated voltage	7	
LD	Linear dimming	8	

IMPORTANT NOTICE

Princeton Technology Corporation (PTC) reserves the right to make corrections, modifications, enhancements, improvements, and other changes to its products and to discontinue any product without notice at any time.

PTC cannot assume responsibility for use of any circuitry other than circuitry entirely embodied in a PTC product. No circuit patent licenses are implied.

Princeton Technology Corp.
2F, 233-1, Baociao Road,
Sindian, Taipei 23145, Taiwan
Tel: 886-2-66296288
Fax: 886-2-29174598
<http://www.princeton.com.tw>