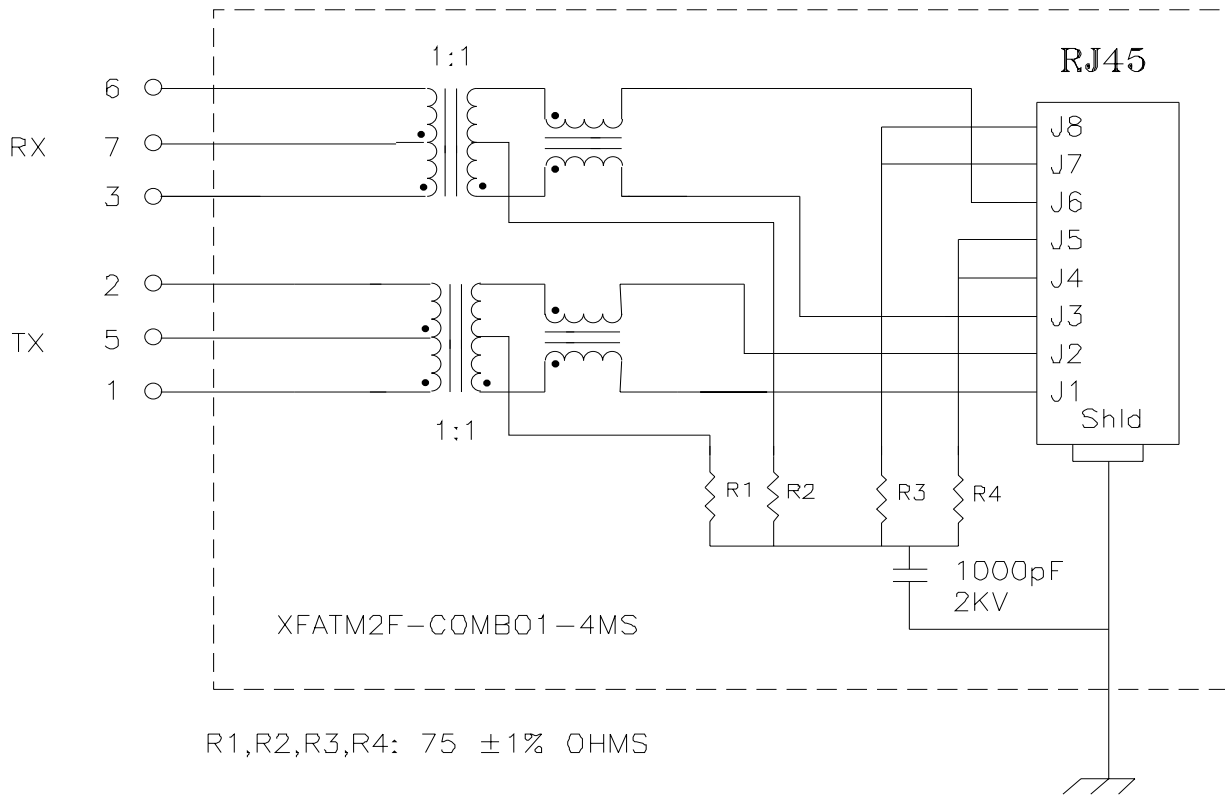


## Schematic:



## Electrical Specifications: @25°C

Isolation Voltage: 1500 Vac

Isolation Voltage: 500 Vac (1+2+3+5+6+7)

UTP SIDE OCL: 350uH Min @100KHz 100mV 8mADC

Rise Time (10-90%): 2.5ns Typical

Insertion Loss (300KHz-100MHz): -1.1dB Maximum

Insertion Loss (100MHz-125MHz): -1.5dB Maximum

Return Loss: -12dB Typical @300KHz - 100MHz

Crosstalk:

100KHz-60MHz -40dB Typical

60MHz-100MHz -38dB Typical

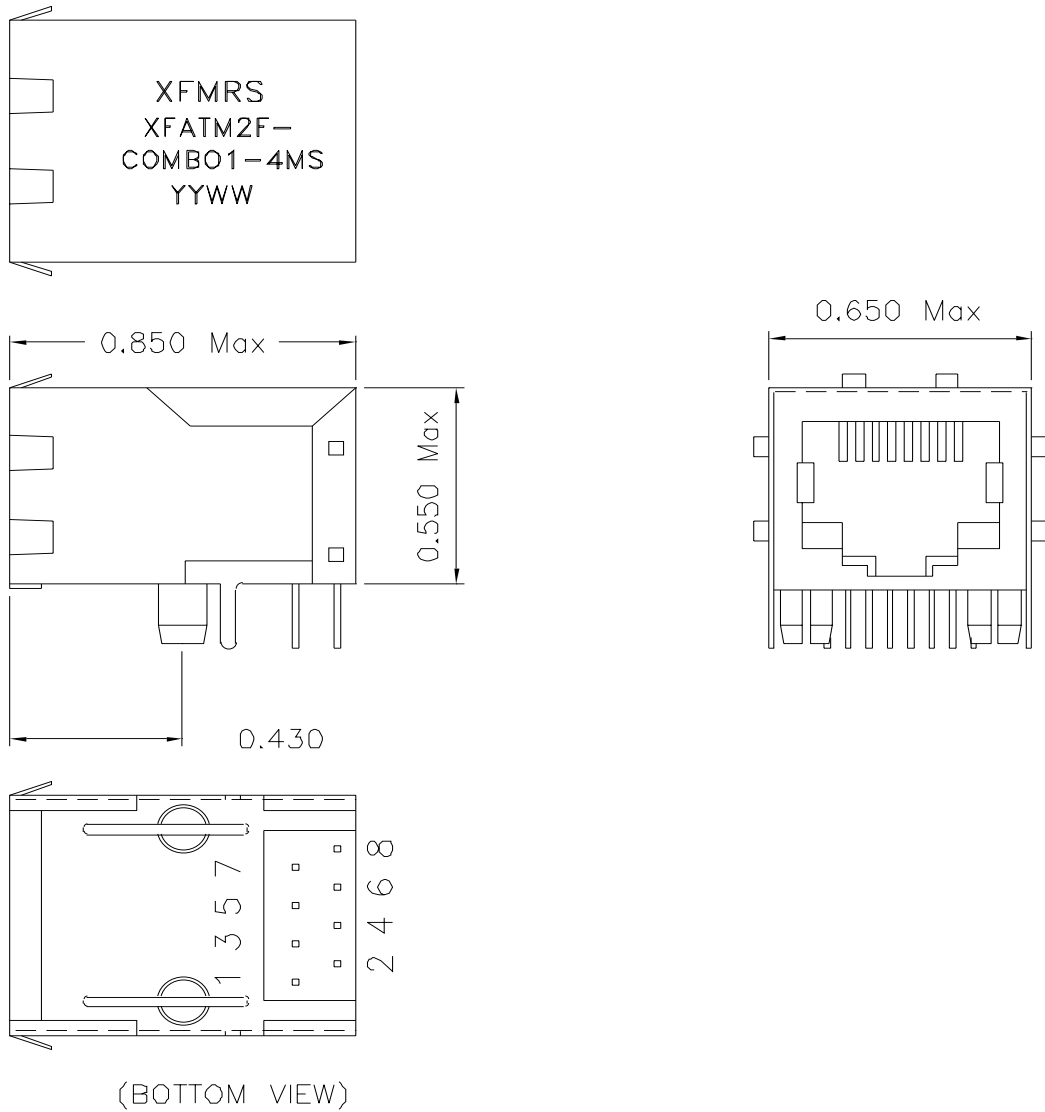
Common Mode to Differential Mode Rejection:

1MHz-100MHz -30dB Typ (Tx) / -30dB Typ (Rx)

200MHz -20dB Typ (Tx) / -20dB Typ (Rx)

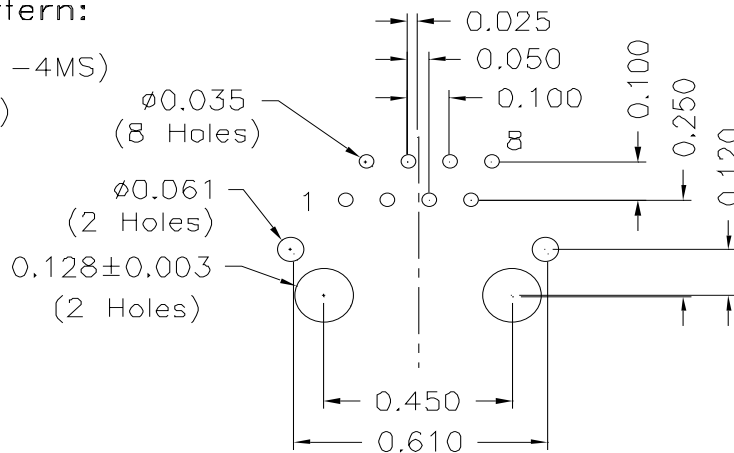
<b>XFMRs Inc.</b> <small>UNLESS OTHERWISE SPECIFIED  TOLERANCES:  .xxx ±0.010  Dimensions in Inch  SHEET 1 OF 2</small>	Title: <b>SINGLE PORT COMBO</b>		
	P/N: XFATM2F-COMBO1-4MS		REV. A
	DWN.	BW	Jul-6-00
	CHK.	Joe Huff	Jul-6-00
	APP.	AEI	Jul-6-00

Mechanical Dimensions:



Mounting Pattern:

(FOR COMBO1-4MS)  
(COMP SIDE)



<b>XFMRS Inc.</b>  UNLESS OTHERWISE SPECIFIED TOLERANCES: .xxx ±0.010 Dimensions in Inch  SHEET 2 OF 2	Title: Mechanical Dimensions For COMBO1-4MS Series		
	XFATM2F-COMBO1-4MS		REV. A
	DWN.	BW	Jul-6-00
	CHK.	Joe Huff	Jul-6-00
	APP.	AEI	Jul-6-00