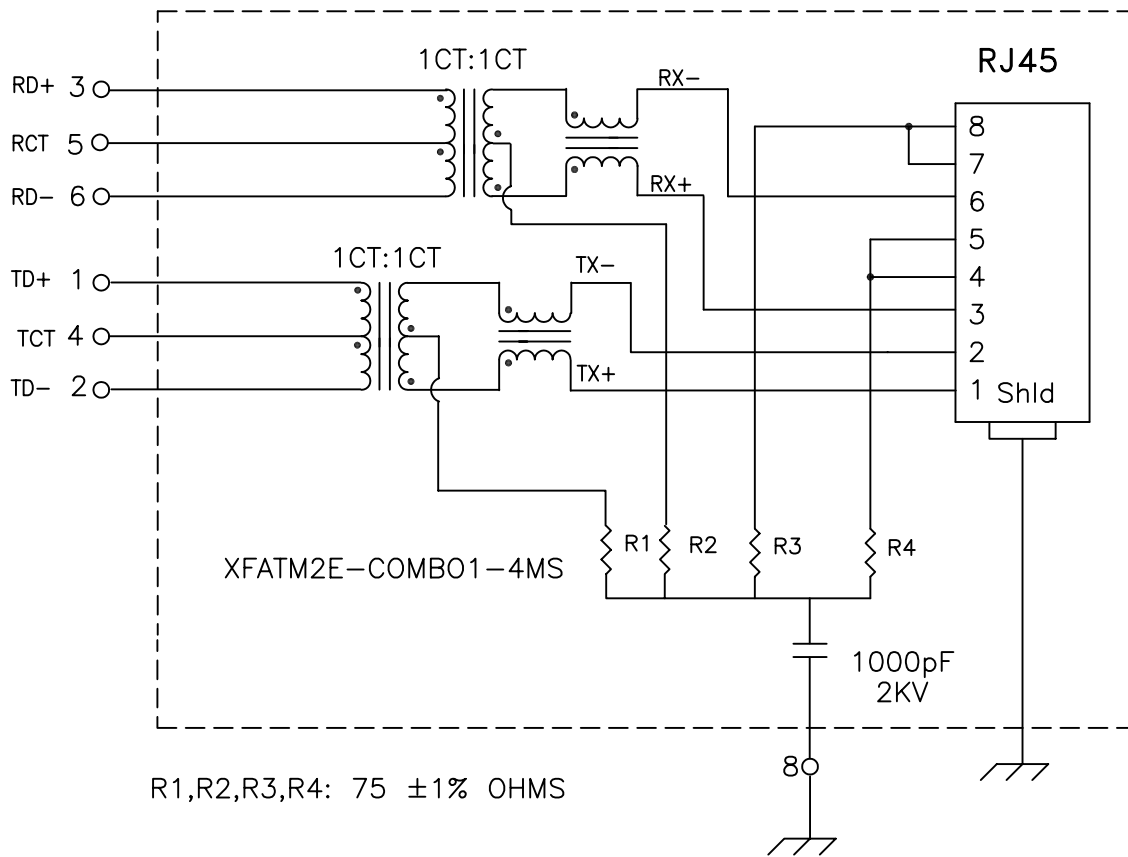


## Schematic:



## Electrical Specifications: @25°C

Isolation Voltage: 1500 Vrms (INPUT to OUTPUT)  
 UTP SIDE OCL: 350uH Min @100KHz 100mV 8mADC  
 Rise Time (10-90%): 2.5ns Typical  
 Insertion Loss (100KHz-100MHz): -1.1dB Maximum  
 Insertion Loss (100MHz-125MHz): -1.5dB Maximum  
 Return Loss: -18dB Typ. @30MHz  
 -12dB Typ. @80MHz

### Crosstalk:

100KHz-60MHz -40dB Typical  
 60MHz-100MHz -38dB Typical

### Common Mode to Differential Mode Rejection:

100KHz-60MHz -45dB Typ (Tx) / -40dB Typ (Rx)  
 60MHz-100MHz -40dB Typ (Tx) / -35dB Typ (Rx)

### Notes:

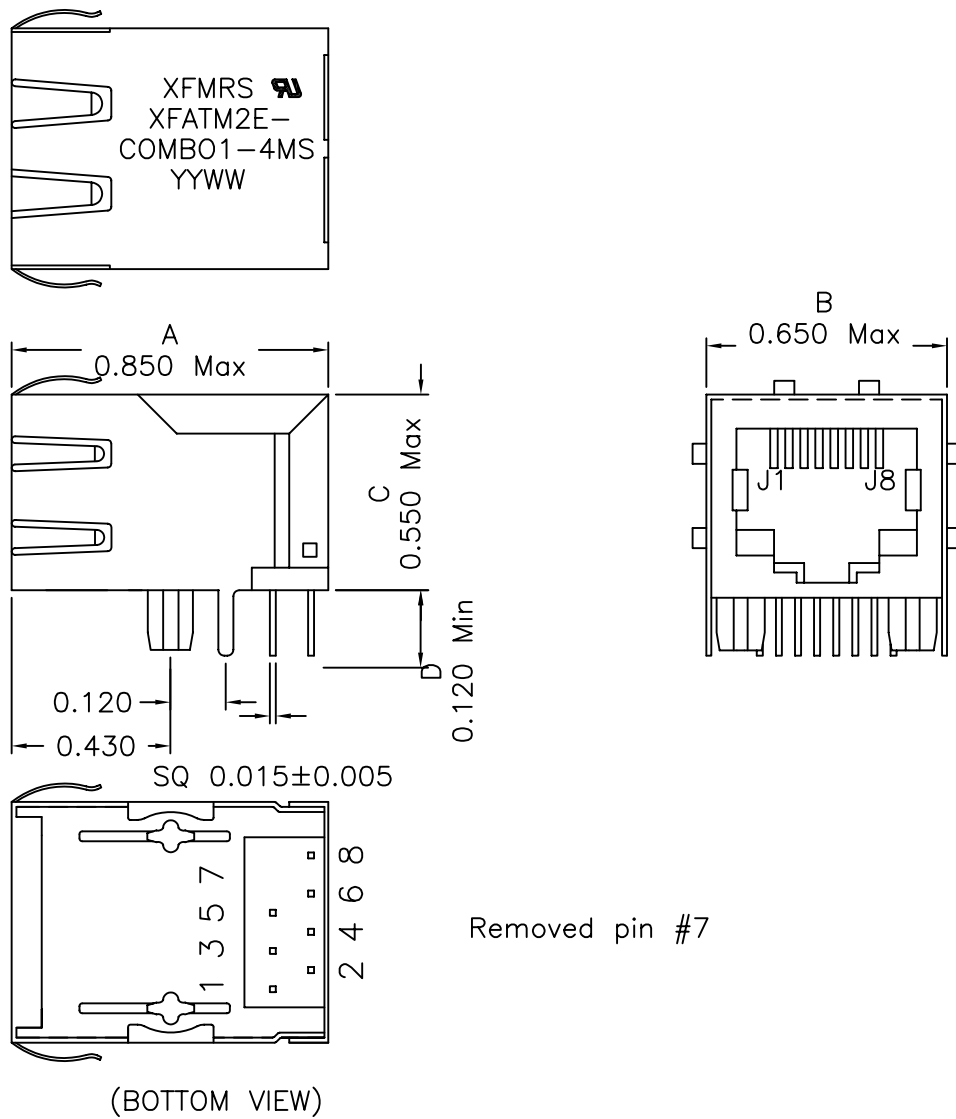
1. Solderability: Leads shall meet MIL-STD-202, Method 208D for solderability.
2. Flammability: UL94V-0
3. ASTM oxygen index: > 28%
4. Insulation System: Class F 155°C. UL file E151556
5. Operating Temperature Range: All listed parameters are to be within tolerance from -40°C to +85°C
6. Storage Temperature Range: -55°C to +125°C
7. Aqueous wash compatible
8. Electrical and mechanical specifications 100% tested
9. RoHS Compliant Component DOC. REV A/8

**PROPRIETARY:**

Document is the property of XFMRs Group & is not allowed to be duplicated without authorization.

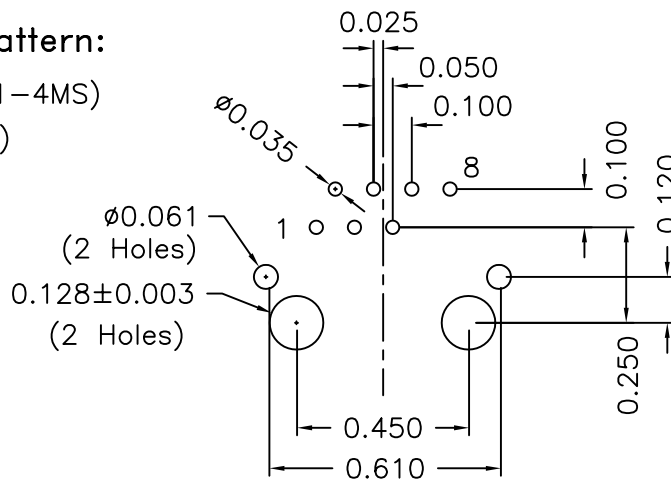
<b>XFMRs Inc</b> www.XFMRs.com		Title: <b>SINGLE PORT COMBO</b>		
UNLESS OTHERWISE SPECIFIED TOLERANCES: .xxx ±0.010 Dimensions in Inch		P/N: XFATM2E-COMBO1-4MS	REV. A	
DWN.	李小锋	Jul-08-05		
CHK.	廖玉坤	Jul-08-05		
SHEET 1 OF 2	APP.	MS	Jul-08-05	

# Mechanical Dimensions:



## Mounting Pattern:

(FOR COMBO1-4MS)  
(COMP SIDE)



DOC REV: A/8

**PROPRIETARY:**

Document is the property of XFMR5 Group & is not allowed to be duplicated without authorization.

**XFMR5 Inc**  
www.XFMR5.com

Title: Mechanical Dimensions  
For COMBO1-4MS Series

UNLESS OTHERWISE SPECIFIED

P/N:XFATM2E-COMBO1-4MS

REV. A

TOLERANCES:

DWN.

李小锋

Jul-08-05

.xxx ±0.010

CHK.

廖玉坤

Jul-08-05

Dimensions in Inch

APP.

MS

Jul-08-05

SHEET 2 OF 2