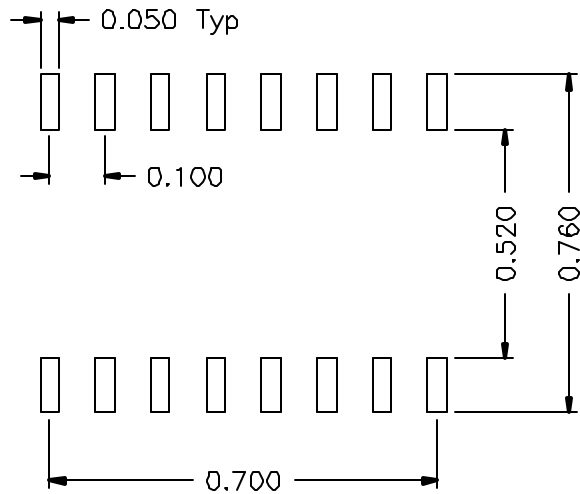
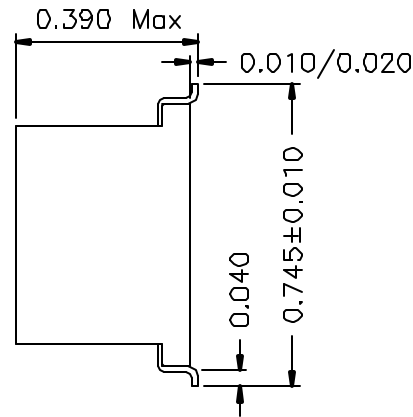
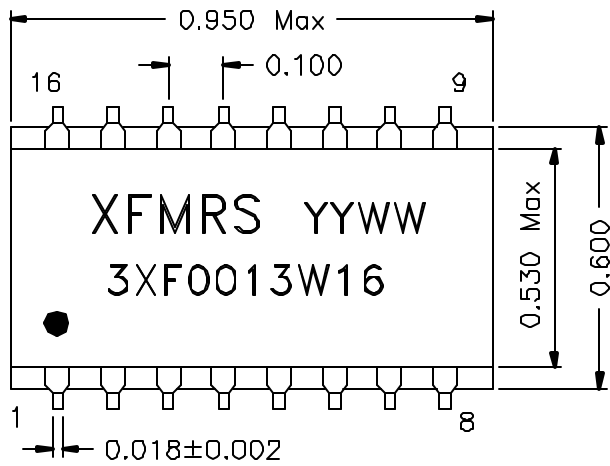


1. Dimensions:



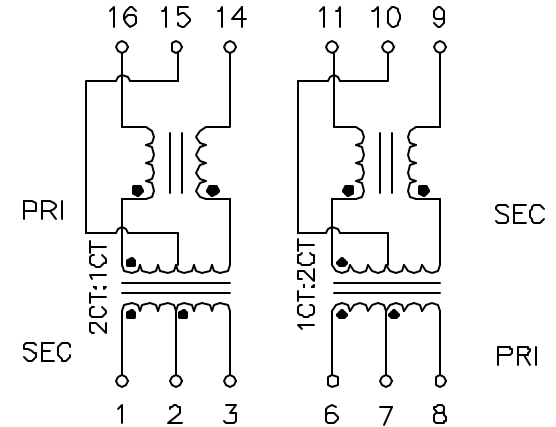
SUGGESTED PCB LAYOUT

Notes:

1. Solderability: Leads shall meet MIL-STD-202, Method 208D for solderability.
2. Flammability UL94V-0
3. ASTM oxygen Index: > 28%
4. Insulation System: Class F 155°C UL file E151556
5. Operating Temperature Range: All listed parameters are to be within tolerance from -40°C to +85°C
6. Storage Temperature Range: -55°C to +125°C
7. Aqueous wash compatible

DOC. REV A/1

2. Schematic:



3. Electrical Specifications: @25°C

Isolation Voltage: 1500 Vrms

Turns Ratio: (16-15-14):(1-2-3)=1CT:2CT ±3%
(6-7-8):(11-10-9)=1CT:2CT ±3%

PRI OCL: 1.5mH MIN. @100KHz 50mV

Cw/w: 45pF MAX. @100KHz 50mV (PRI/SEC)

PRI LL: 0.6uH MAX. @100KHz 50mV (SEC Shorted)

PRI DC Resistance: 1.0 Ohms MAX.

SEC DC Resistance: 2.6 Ohms MAX.

Common Mode Attenuation:

8dB Typ @100KHz

21dB Typ @1MHz

28dB Typ @10MHz

28dB Typ @30MHz

28dB Typ @50MHz

27dB Typ @100MHz

25dB Typ @300MHz

22dB Typ @500MHz

XFMRS Inc UNLESS OTHERWISE SPECIFIED TOLERANCES: .xxx ±0.010 Dimensions in Inch	Title: Dual T1/CEPT/ISDN-Pri	
	P/N: 3XF0013W16	REV. A
	DWN. 李清儿	Nov-21-01
	CHK. 孙悦	Nov-21-01
SHEET 1 OF 1	APP. BW	Nov-21-01