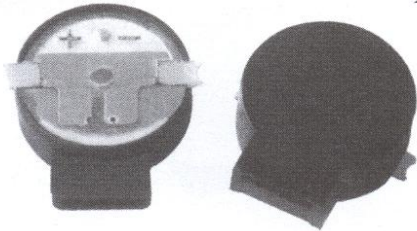


## Product Data Sheet

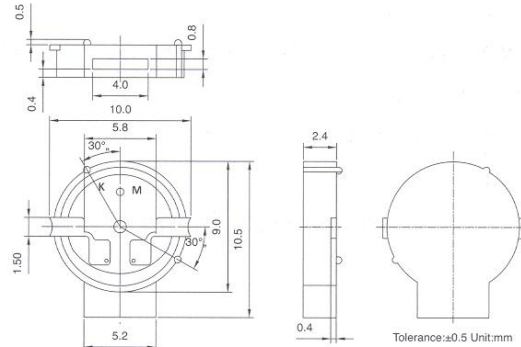
Part No. ST-A0936RP2-1 Reflow Type (SMD)

### DIMENSIONS

ST-A0936RP2-1



φ 9 × H2.4



UNIT : mm  
TOLERANCE : ±0.3  
HOUSING MATERIAL : LCP

Type	Unit	
Color		Black
Rated Voltage	(V)	3.6
Operating Voltage	(V)	3-4
Current Consumption	(mA)	MAX.110
Coil Resistance	(Ω)	16±15%
Sound Output (Min)	(Db)	85
Resonance Frequency	(Hz)	2730
Operating Temp	(C)	-20~+60
Storage Temp	(C)	-40~+80
Weight	(g)	0.6
Terminal		SMD
Dimension	mm	9 x H2.4
*applied voltage: Rated Voltage, 1/2 duty, square wave		
*distance for measurement 10cm		

### FREQUENCY RESPONSE

