

Chip Specification

General Description:

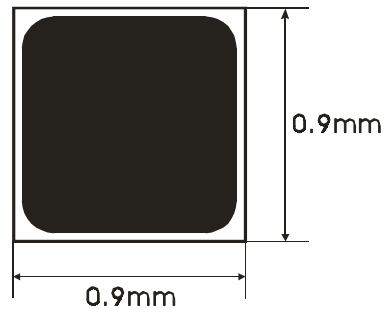
Schottky Diode chips with Mo-barrier for switch mode power rectifiers with the following features:

- * **Guard-ring for stress protection**
- * **Extremely low forward voltage**
- * **125 °C operation junction temperature**
- * **reverse avalanche behavior**

Mechanical Data:

SB 1XX passivated Silicon Chip

Demension(mm)	0.9x0.9
Thickness:	350 +- 20 μ m
Metallization:	
Top (Anode) :	Al Ag
Bottom (Cathode) :	TiNiAg



Forward Current(A)	1 A
Reverse Voltage (V):	23, 43, 100 V

Type	Chip	VR(V)	VF(V)@25 C at If=1A	IRM@VRMM at 25 C
	size(mm)			
SB120	0.9x0.9	23V	400mV	0,5mA
SB140	0.9x0.9	43 V	500mV	0,5mA
SB1100	0.9x0.9	100 V	730mV	0,5mA

Note: Other voltages, Vf & Top Metal AL are available

