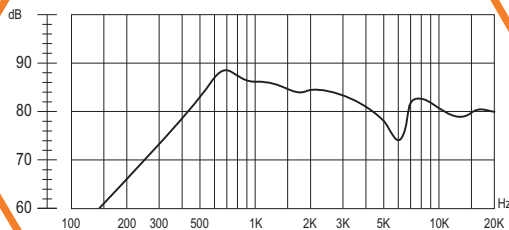
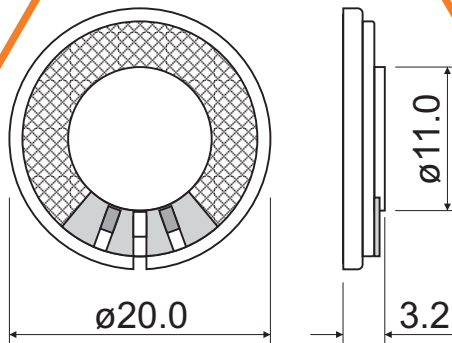


# SoniCrest

## SPEAKER SOUND GENERATORS

### HSB20N



#### Dimension

Unit : mm  
Tolerance :  $\pm 0.3$ mm

#### Frequency Response

Normalized to 0.1W Input Power and  
0.1m Measuring Distance

- **Specification** (all data taken at 25°C unless otherwise specified)

Coil Impedance ( $\Omega$ )	Rated Power (W)	Maximum Input Power (W)	Resonance Frequency (Hz)	★Frequency Range (Hz)	★sound Output at 1kHz (dB)	Operating Temperature (°C)	Storage Temperature (°C)
8 $\pm$ 15%	0.5	1	800 $\pm$ 25%	800 ~ 20000	86 $\pm$ 3	-25 ~ +60	-35 ~ +70

**HSB20N-8**

The specification are only for 8 $\Omega$  version. Specification for other impedance is available upon request.  
★value normalized to 0.1W input power and 0.1m measuring distance.