

RP12/24ADA ADA Strobe Retrofit Plate



A Division of Pittway
3825 Ohio Avenue, St. Charles, IL 60174
1-800-SENSOR2 (736-7672), Fax 630-377-6495
<http://www.systemsensor.com>



Models Available

RP2415ADA
RP241575ADA
RP2475ADA
RP24110ADA
RP1215ADA
RP121575ADA

Features

- Fits most 4" or 5" square horn or speaker
- Multiple light intensities
 - 24 VDC: 15, 15/75, 75 or 110 cd models
 - 12 VDC: 15 or 15/75 cd models
- Low strobe current draw. 93 mA on the RP241575ADA with regulated power
- Low installed cost
- No measurable strobe in-rush in excess of peak current
- Intended for primary signaling
- "Installer Easy"
 - Plug-in terminal strip
 - Wire strip gauge and wiring diagram on back
- Wall mount only

System Sensor RP12/24ADA Series Strobe Retrofit Plate complies with the **Americans with Disabilities Act (ADA)** and the demanding requirements of the **UL 1971 Standard for the Hearing Impaired**. The 15/75 version is UL 1971 listed at 15 cd.

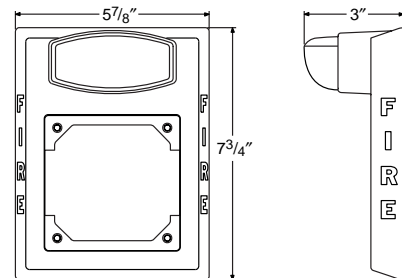
The new model RP12/24ADA Series Retrofit Plate allows adding an ADA compliant visible notification to most existing 4 or 5 inch square horns or speakers. To insure compliance with ADA and UL 1971, use the System Sensor 75 candela models for non-sleeping areas, and the 110 candela models for sleeping areas.

Available in red only at 12 or 24 VDC, the RP12/24ADA Series Strobe Retrofit Plate can be mounted directly to a standard 4" backbox.

Specifications

Input terminals:	18 – 12 AWG
Shipping Weight:	
RP12/24ADA	
Series Strobes:	14 oz. (397g)
Operating	
Temperature Range:	32° F to 120° F (0° C to 49° C)
Mounting:	
Surface:	4" × 4" × 1 1/2" standard backbox (2 1/8" recommended)
Semiflush:	4" × 4" × 1 1/2" standard backbox (2 1/8" recommended)

Dimensions:



General Description

The new model RP12/24ADA Series Retrofit Plate allows adding an ADA compliant visible notification appliance to most existing 4 or 5 inch square horns or speakers. All RP12/24ADA Series Strobe Retrofit Plates are suitable for primary signaling in public mode life safety applications. The Strobe Retrofit Plates can be connected to the alarm indicating circuit of a UL listed fire alarm control panel.

They are compatible with DC line supervision. Panels may have full-wave rectified, unfiltered power supplies. The Strobe Retrofit Plates are available for 24VDC operation or 12VDC operation. The strobe features low current draw with no measurable in-rush in excess of peak current. The Strobe Retrofit Plate is intended for wall mounting only to a 4" square electrical backbox.

Electrical Ratings – Strobe Only

Model	Supply Voltage Range	Peak Operating Current (mA)	In-rush Current in Excess of Peak Operating Current (mA)	Average Operating Current from Regulated Supply (mA)	Average Operating Current from Full Wave Rectified, Unfiltered Supply (mA)*
RP2415ADA	20–30VDC	180	0	75	90
RP241575ADA	20–30VDC	220	0	93	120
RP2475ADA	20–30VDC	400	0	170	200
RP24110ADA	20–30VDC	500	0	210	245
RP1215ADA	10.5–17VDC	380	0	170	200
RP121575ADA	10.5–17VDC	560	0	225	270

* For additional information, see installation manual D900-09-00.

Actual 12 volt operating voltage cannot be less than 8.5 VDC or greater than 18.7 VDC; actual 24 volt operating voltage cannot be less than 16 greater than 33 VDC.

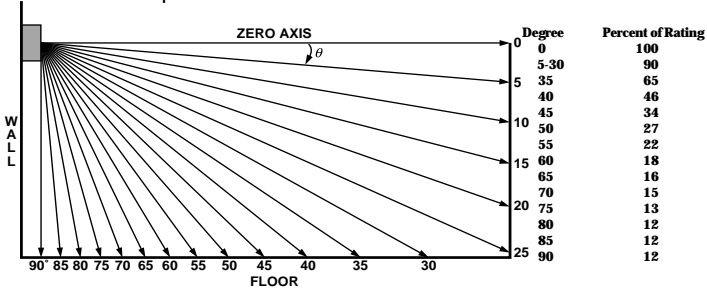
Engineering Specifications

ADA Strobe Retrofit Plate shall be a System Sensor Model _____ listed to *Standard UL 1971 for the Hearing Impaired* and shall be approved for Fire Protective Service. The ADA Strobe Retrofit Plate series shall retrofit most 4" or 5" square horn or speaker into an ADA compliant visible notification device. Strobe Retrofit Plate shall be wired as a Primary Signaling Notification appliance. Strobe Retrofit Plate shall also comply with the Americans with Disabilities Act requirements for visible signaling appliances. Strobe Retrofit Plate shall operate on 12 or 24VDC from a regulated DC supply or full-wave rectified,

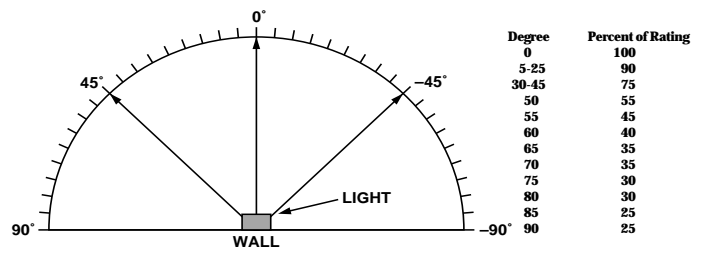
unfiltered supply. The Strobe Retrofit Plate shall be powered from a non-coded power supply when powered with horn or speaker. Strobe Retrofit Plate shall have no measurable in-rush current in excess of operating peak current. Visual signaling devices are to be installed in all non-sleeping/corridor and sleeping areas per plans and specifications. The strobe light shall consist of a xenon flash tube and associated lens/reflector system. All Strobe Retrofit Plates shall be capable of mounting to a standard 4" × 4" × 1½" backbox.

Standard Light Distribution

Vertical Dispersion

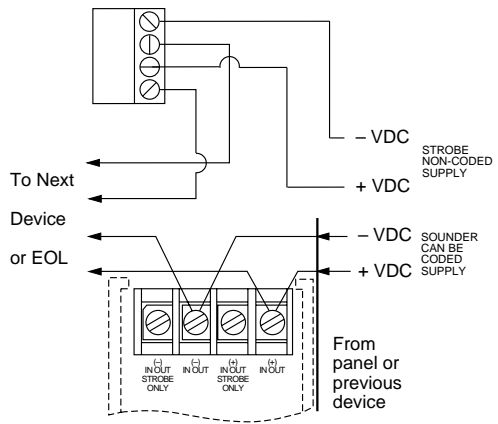


Horizontal Dispersion

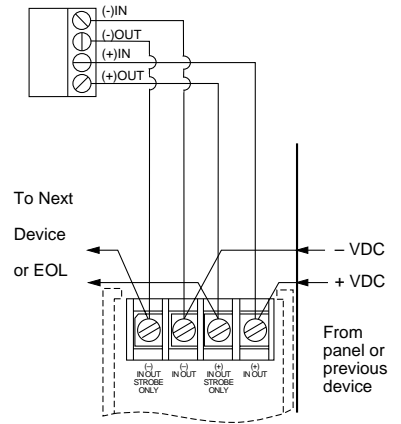


A polar light distribution in both horizontal and vertical directions is mandated for the strobes by the *Standard UL 1971 for the Hearing Impaired*, with specific minimum intensity percentages as shown in the graphs above. With its specially designed lens/reflector system, the RP12/24ADA Strobe Retrofit Plate Series meets or exceeds these requirements at all angles.

Wiring



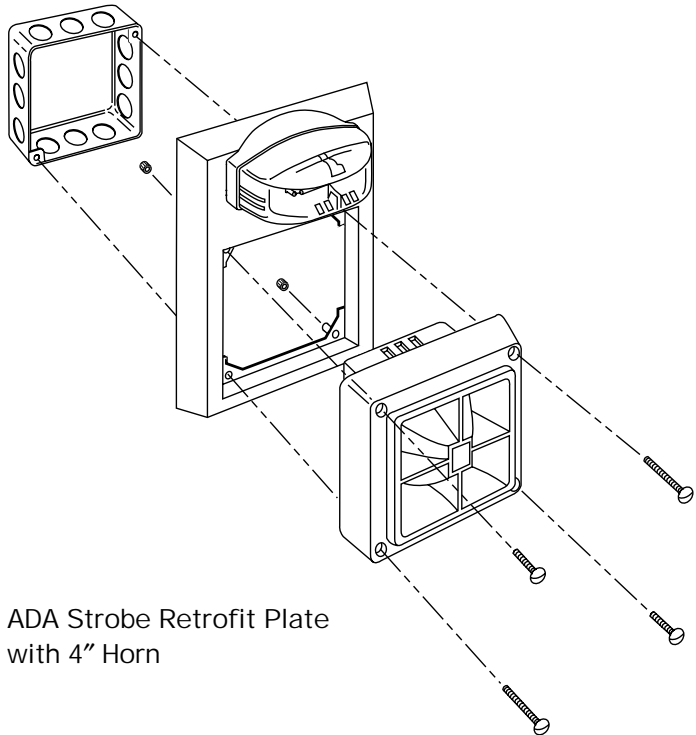
Independent Horn/Strobe Wiring



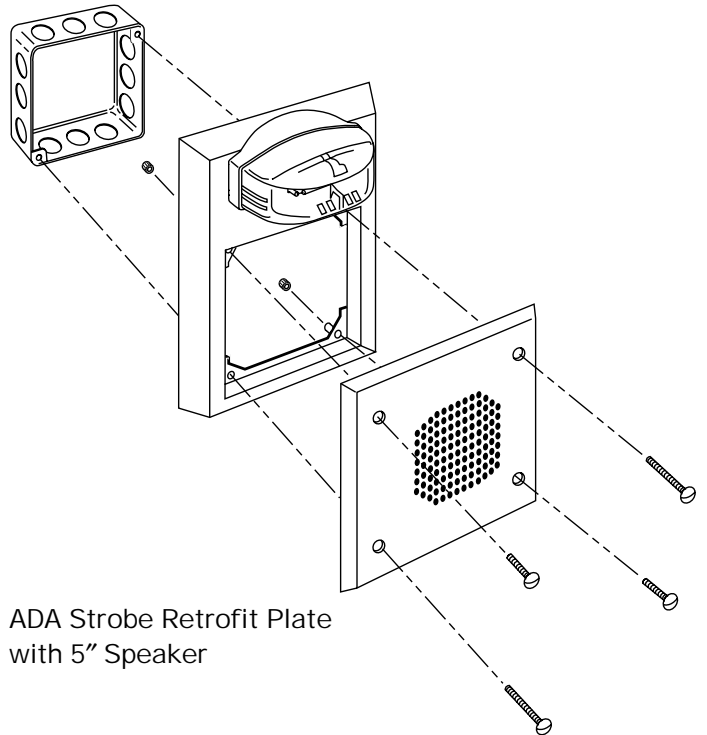
Note: Use uncoded supply only.

Combination Horn/Strobe Wiring

Mounting



ADA Strobe Retrofit Plate with 4" Horn



ADA Strobe Retrofit Plate with 5" Speaker

Ordering Information

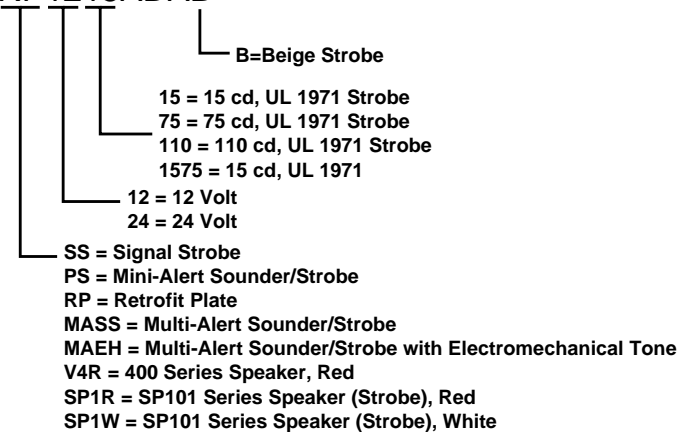
Models – ADA Compliant, UL 1971 Listed

Strobe Retrofit Plates	Description	Operating Voltage	Strobe Current (Average mA)	Candela
RP2415ADA	ADA Strobe Retrofit Plate	24 VDC	75	15
RP241575ADA	ADA Strobe Retrofit Plate	24 VDC	93	15/75
RP2475ADA	ADA Strobe Retrofit Plate	24 VDC	170	75
RP24110ADA	ADA Strobe Retrofit Plate	24 VDC	210	110
RP1215ADA	ADA Strobe Retrofit Plate	12 VDC	170	15
RP121575ADA	ADA Strobe Retrofit Plate	12 VDC	225	15/75*

*Measured to be 75 cd at 0° viewing angle (See Light Distribution Graph).

How to Order

RP1215ADAB



System Sensor Worldwide Distribution

In Canada:

System Sensor Canada
 6581 Kitimat Road, Unit #7
 Mississauga, Ontario
 Canada L5N 3T5
 Telephone: 905-812-0767
 Fax: 905-812-0771

In the United Kingdom:

System Sensor Europe, Ltd.
 Horsham Gates III, North St.
 Horsham, West Sussex
 RH13 5PJ, United Kingdom
 Telephone: 44-1403-276500
 Fax: 44-1403-276501

In India:

System Sensor India
 A-204 Maheshwari Nagar
 Orkay Mills Lane
 Andheri East, Mumbai 400093
 Telefax: 91-022-8202564

In the Far East:

System Sensor
 Pittway Far East, Ltd.
 Suite 706, World Shipping Centre
 7 Canton Road
 Tsimshatsui, Kowloon, Hong Kong
 Telephone: 852-2730-9090
 Fax: 852-2736-6580