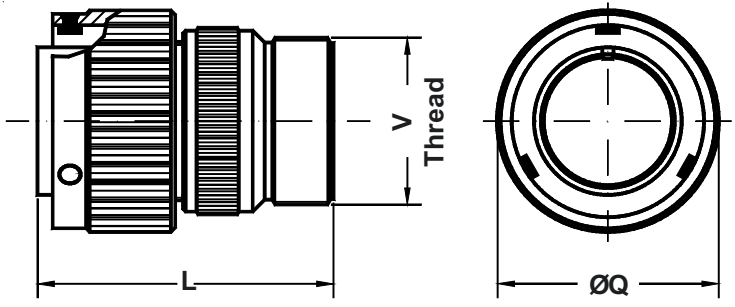
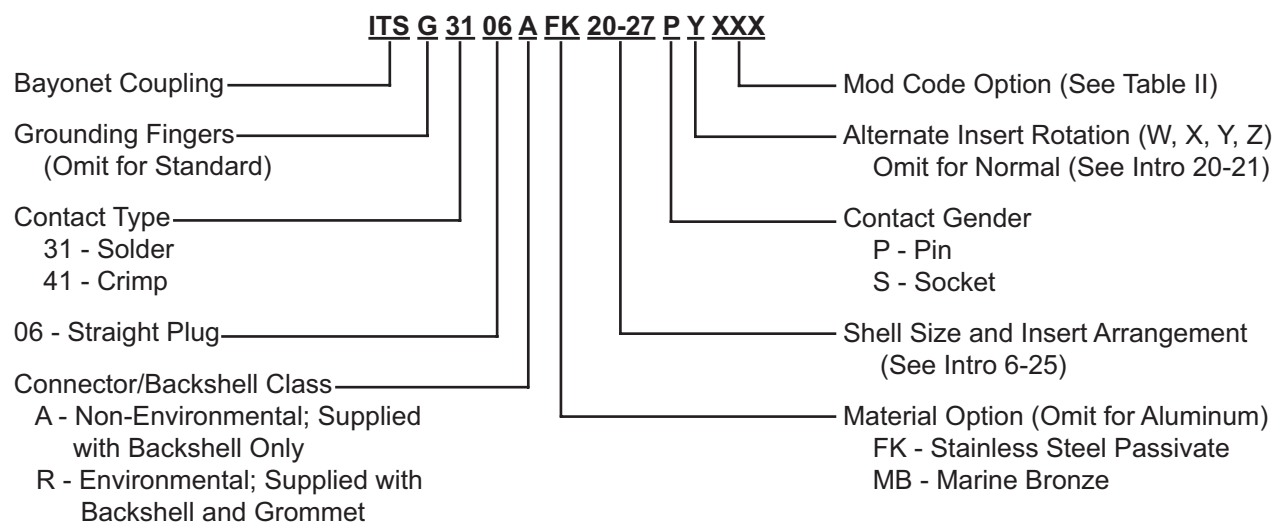
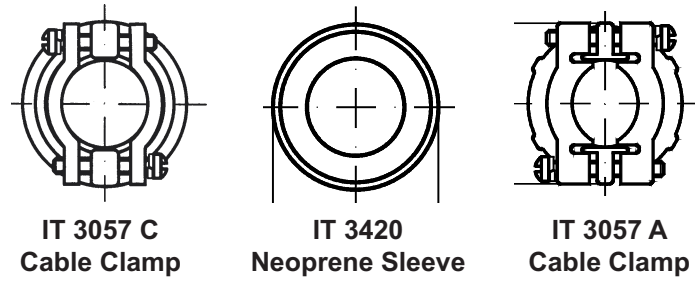




**ITS 3106 (A) and ITS 3106 (R)
ITS 4106 (A) and ITS 4106 (R)
Straight Cylindrical Plug Assembly
with Backshell for the Attachment of Additional Accessories**

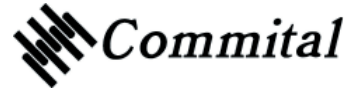


Order Cable Clamps and Sleeves Separately or Use Mod Codes (Table II) to Add Clamp to This Assembly.



Application Notes:

1. Straight plug with backshell for the attachment of strain relief cable clamps.
2. Connector/Backshell Class "A" (non-environmental); Connector/Backshell Class "R" (environmental) supplied with wire sealing grommet.
3. Standard materials configuration consists of aluminum alloy with cadmium olive drab finish.
4. Standard contact material consists of copper alloy with silver plating (Gold plating available, see mod codes).
5. A broad range of other front and rear connector accessories are available. See our website and/or contact the factory for complete information.
6. Standard insert material is synthetic rubber. Add "FR" prefix to front of part number to specify fire resistant inserts.



**ITS 3106 (A) and ITS 3106 (R)
ITS 4106 (A) and ITS 4106 (R)
Straight Cylindrical Plug Assembly
with Backshell for the Attachment of Additional Accessories**



ITS
Reverse Bayonet
Assemblies

TABLE I: DIMENSIONS

Shell Size	L	ØQ	V Thread
	Max.	±0.2	
10 SL	44.0	22.6	0.6250 - 24UNEF
14 S	46.4	29.0	0.7500 - 20UNEF
16 S	46.4	31.6	0.8750 - 20UNEF
16	57.8	31.6	0.8750 - 20UNEF
18	57.8	36.2	1.0000 - 20UNEF
20	58.1	39.8	1.1875 - 18UNEF
22	58.1	43.0	1.1875 - 18UNEF
24	59.7	46.4	1.4375 - 18UNEF
28	66.2	53.0	1.4375 - 18UNEF
32	71.3	60.0	1.7500 - 18UNS
36	76.8	66.2	2.0000 - 18UNS
40	76.8	72.3	2.2500 - 16UN

TABLE II: MODIFICATION CODES

CONTACT OPTIONS		ACCESSORY OPTIONS	
Sym	Description		
B0	Connector Less Contacts	N0	Connector less backshell
B1	Connector with Gold Plated Contacts	N1	Connector with IT 3057 A cable clamp
Omit for Standard Version (Silver Plated)		N2	Connector with long backshell
FINISH OPTIONS		N5	Connector with IT 3057 C cable clamp
Sym	Description	N12	Connector with IT 3057 A cable clamp and IT 3420 neoprene sleeve
F2	Bright Nickel Plating	Omit for standard version	
F6	Black Electrodeposited Paint		
F7	Black Zn-Co Plating		
F8	Olive Drab Zn-Co Plating		
Omit for Standard Version (Cad/Olive Drab)			

