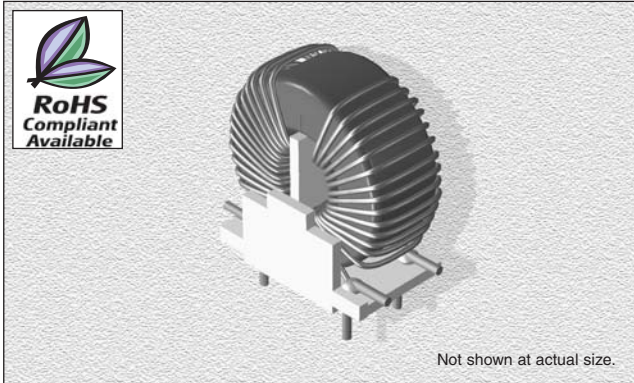


## CTCMH

### Toroidal Common Mode Choke

From 0.580 mH to 10.8 mH



### SPECIFICATIONS

CTCMH32xxF Please specify "F" for RoHS Compliant

Part Number	Inductance Min. (mH)	Current Rating (Amp.)	Leakage Ind. Max. (µH)	DCR Max. (mΩ)	SRF Typ. (MHz)	Lead Dia. Nom. (mm)
CTCMH3219_-1	10.8	1.3	165	290	0.125	1.29
CTCMH3220_-1	7.0	2.0	100	150	0.225	1.29
CTCMH3221_-1	3.7	3.2	60	80	0.400	1.29
CTCMH3222_-1	2.2	5.0	35	40	0.600	1.29
*CTCMH3223_-1	1.1	8.1	20	20	0.900	1.02
*CTCMH3224_-1	0.580	13.0	10	10	1.150	1.29

\* = Self Leaded

### CHARACTERISTICS

**Description:** High inductance through-hole toroidal inductor.

**Applications:** For use in linear power supply filters, power line filters, as well as the ability to suppress EMI in switch mode supplies.

**Operating Temperature:** -40°C to +85°C

**Testing:** Tested on an HP4284A at 10 kHz 0.25 Vrms

**Electrical Specification:** @ 25°C

**Header Material:** Plastic - meets UL94V-0

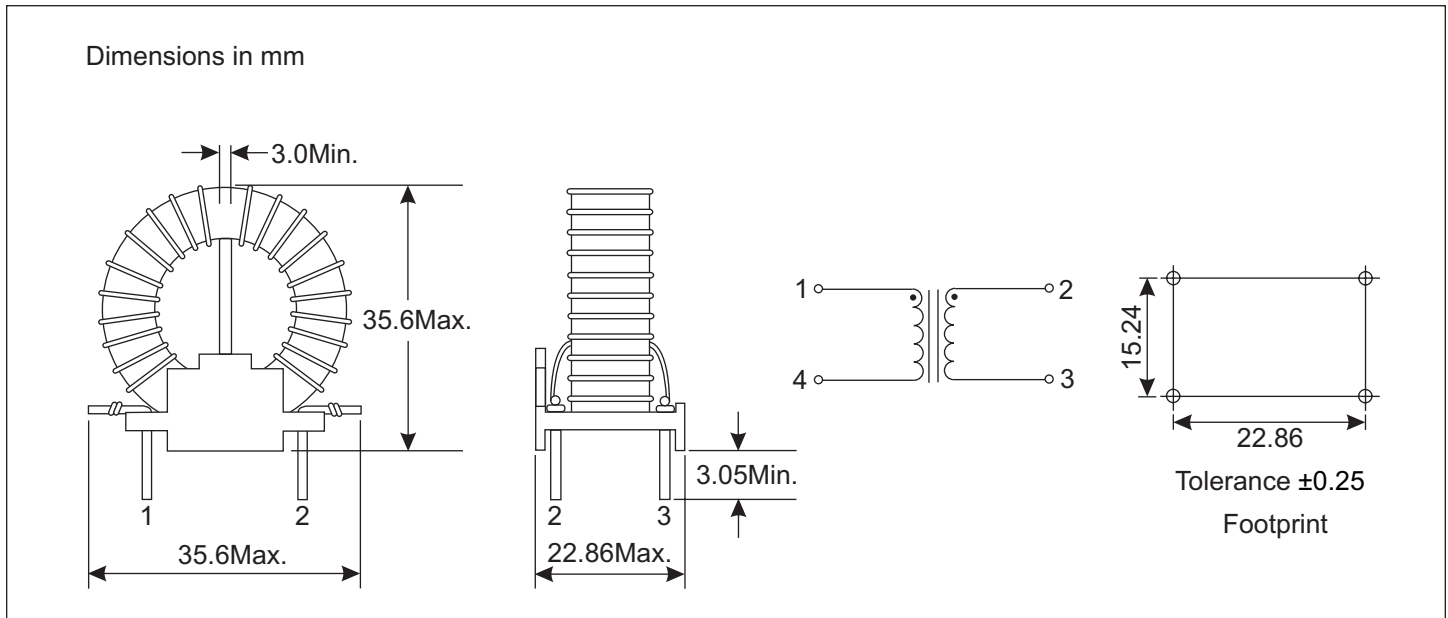
**Insulation Material:** Rates 130°C minimum

**Miscellaneous:** RoHS Compliant available.

**Additional Information:** Additional electrical & physical information available upon request

**Samples available. See website for ordering information.**

### PHYSICAL DIMENSIONS



09.18.08