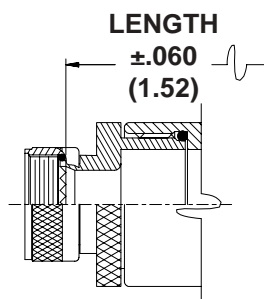
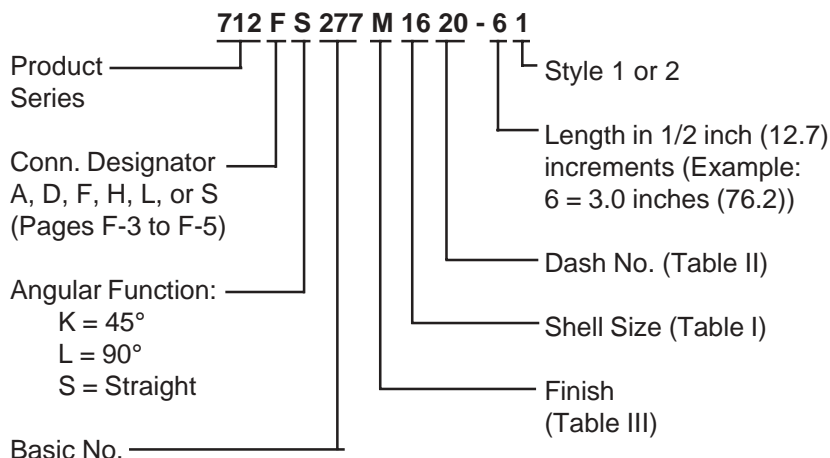
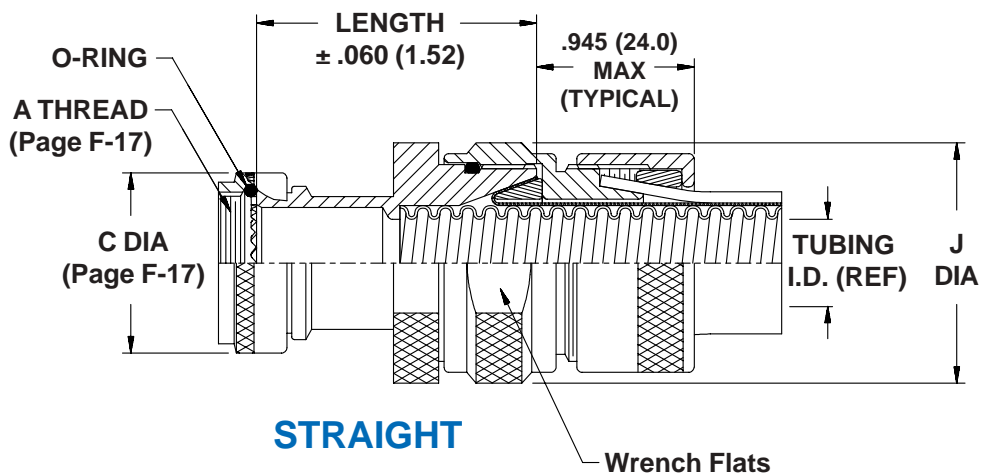


712-277 - Types C & F
**Straight, 45° & 90° EMI Environmental User-Installable
 Connector Fitting for Series 74 Helical Convuluted Tubing**

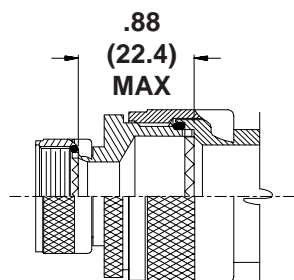
**TYPES
C & F**



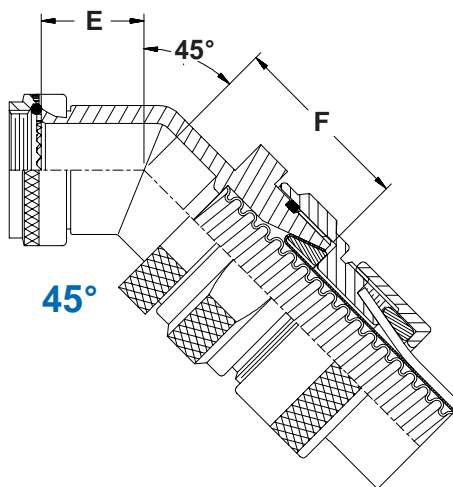
**STYLE 2
(STRAIGHT)**



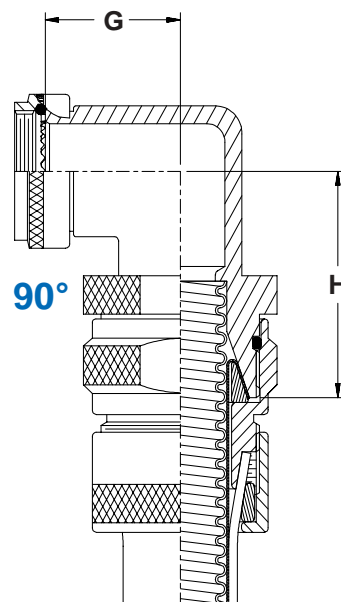
STRAIGHT



**STYLE 2
(45° & 90°)**



45°



90°

712-277 - Types C & F
Straight, 45° & 90° EMI Environmental User-Installable
Connector Fitting for Series 74 Helical Convuluted Tubing



SHELL SIZE		E	F	G	H
A,D,F,L,S	H	MAX	MAX	MAX	MAX
08	09	.639 (16.2)	1.23 (31.2)	.750 (19.1)	1.34 (34.0)
10	11	.664 (16.9)	1.26 (32.0)	.810 (20.6)	1.40 (35.6)
12	13	.688 (17.5)	1.28 (32.5)	.870 (22.1)	1.46 (37.1)
14	15	.705 (17.9)	1.31 (33.3)	.920 (23.4)	1.53 (38.9)
16	17	.732 (18.6)	1.33 (33.8)	.980 (24.9)	1.59 (40.4)
18	19	.748 (19.0)	1.34 (34.0)	1.020 (25.9)	1.61 (40.9)
20	21	.773 (19.6)	1.36 (34.5)	1.080 (27.4)	1.67 (42.4)
22	23	.800 (20.3)	1.40 (35.6)	1.140 (29.0)	1.75 (44.5)
24	25	.823 (20.9)	1.43 (36.3)	1.200 (30.5)	1.82 (46.2)
28	--	1.041 (26.4)	1.60 (40.6)	1.480 (37.6)	2.06 (52.3)
32	--	1.092 (27.7)	1.64 (41.7)	1.610 (40.9)	2.15 (54.6)
36	--	1.138 (28.9)	1.69 (42.9)	1.720 (43.7)	2.26 (57.4)

DASH NO.	TUBING I.D.		J
	MIN	MAX	MAX
06	.181 (4.6)	.188 (4.8)	1.09 (27.7)
09	.273 (6.9)	.281 (7.1)	1.16 (29.5)
10	.306 (7.8)	.312 (7.9)	1.22 (31.0)
12	.364 (9.2)	.375 (9.5)	1.28 (32.5)
14	.427 (10.8)	.437 (11.1)	1.34 (34.0)
16	.485 (12.3)	.500 (12.7)	1.41 (35.8)
20	.608 (15.4)	.625 (15.9)	1.53 (38.9)
24	.730 (18.4)	.750 (19.1)	1.66 (42.2)
28	.860 (21.8)	.875 (22.2)	1.78 (45.2)
32	.975 (24.8)	1.000 (25.4)	1.91 (48.5)
40	1.210 (30.6)	1.250 (31.8)	2.28 (57.9)
48	1.437 (36.5)	1.500 (38.1)	2.59 (65.8)
56	1.688 (42.9)	1.750 (44.5)	2.91 (73.9)
64	1.937 (49.2)	2.000 (50.8)	3.03 (77.0)

SYMBOL	FINISH
B	Olive Drab over Cadmium Plate
J	Gold Iridite over Cadmium Plate over Nickel
M	Electroless Nickel
N	Olive Drab over Cadmium Plate over Nickel
NC	Zinc-Cobalt, Olive Drab
NF	Olive Drab over Cadmium Plate over Electroless Nickel (500 Hour Salt Spray)
T	Bright Dip Cadmium Plate over Nickel

NOTES:

1. O-Ring not supplied on connector designator A.
2. Metric dimensions (mm) are in parentheses.
3. Tubing shown for reference only.
4. When tubing I.D. max exceeds inside diameter of connector shell, style 2 may be supplied. Refer to pages F-15 and F-16.