

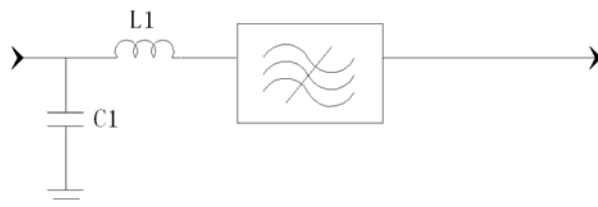
Specifications

Parameter	Unit	Minimum	Typical	Maximum
Center Frequency	MHz	139.97	140	140.03
Insertion Loss	dB	-	18	20
$F0 \pm 120\text{KHz}$	dB	-	0.9	1.0
$F0 \pm 140\text{KHz}$	dB	-	1.2	1.5
$F0 \pm 500\text{KHz}$	dB	35	38	-
$F0 \pm 600\text{KHz}$	dB	45	47	-
Passband Variation	dB	-	0.5	0.8
Phase Linearity($f0 \pm 96\text{kHz}$)	degree	-	1.8	4
Ultimate Rejection	dB	45	46	-
Absolute delay		-	2.8	-
VSWR		-	5.4	-
Substrate Material		Quartz		
Ambient Temperature	°C	25		
Package Size		DIP3512 (35.0x12.8x4.7mm ³)		

Notes:

1. All specifications are based on the test circuit shown
2. In production, devices will be tested at room temperature to a guardbanded specification to ensure electrical compliance over temperature
3. Electrical margin has been built into the design to account for the variations due to temperature drift and manufacturing tolerances
4. This is the optimum impedance in order to achieve the performance show


Matching Configuration



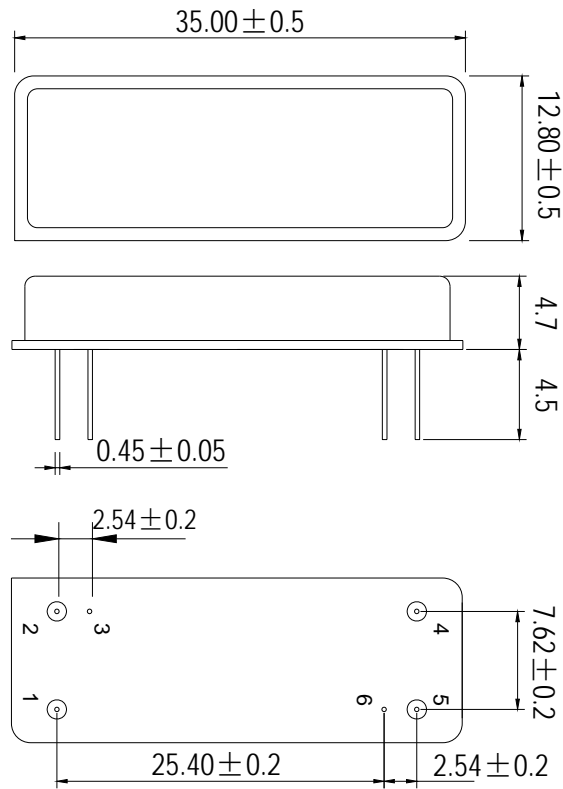
L1=68nH C1=47PF

Source/Load Impedance=50 ohm

Notes - Component values may change depending on board layout.

	SIPAT Co., Ltd. (CETC No. 26 Research Institute) Nanping Huayuan Road No. 14 Chongqing, China, 400060	Part Number	LBS14069	
		Rev. Date	2005-5-18	
		Rev.	1.0	Page

Package Dimension



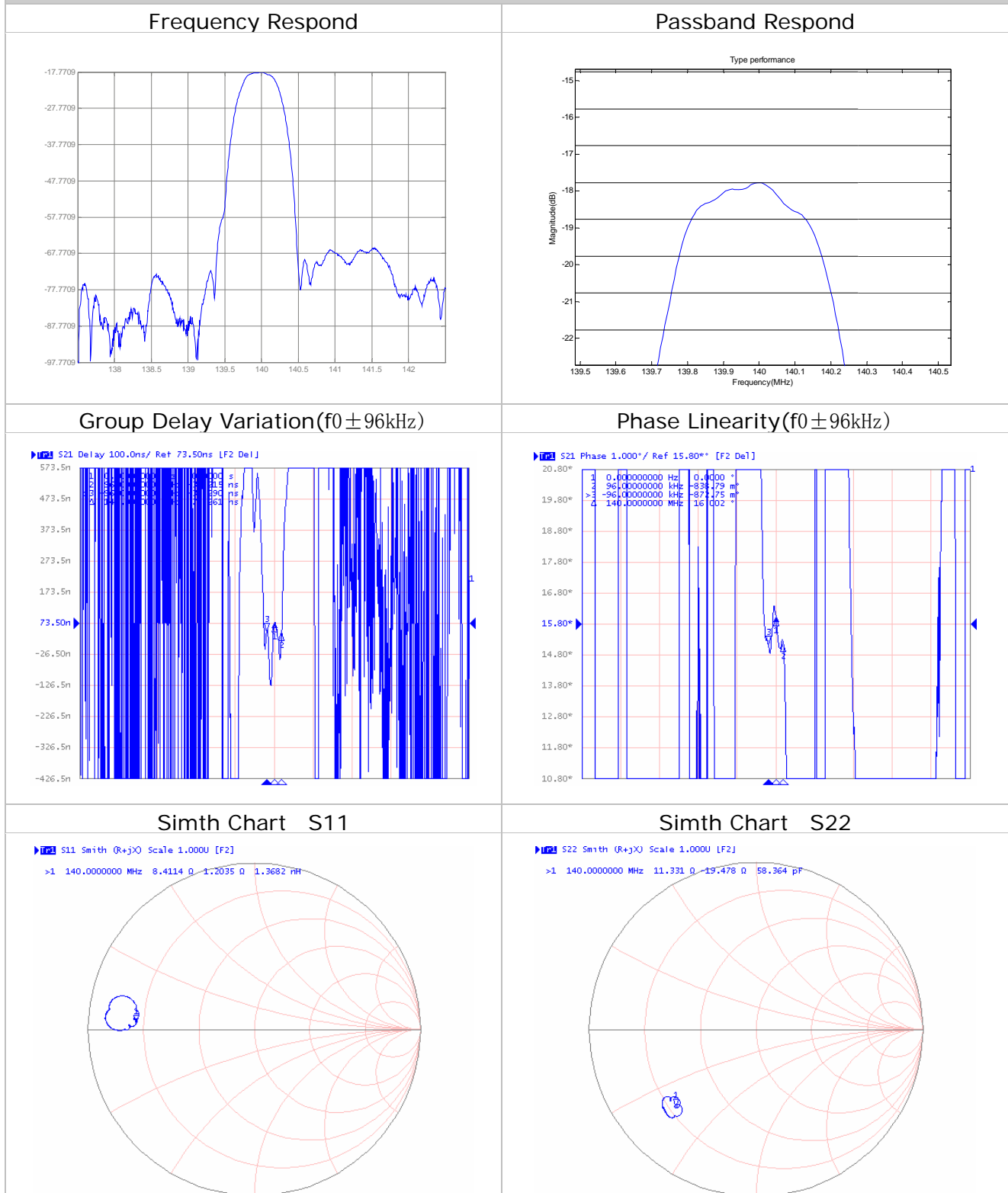
Pin 1: input
Pin 5: output
Others: Grounded



SIPAT Co., Ltd.
(CETC No. 26 Research Institute)
Nanping Huayuan Road No. 14
Chongqing, China, 400060

Part Number	LBS14069	
Rev. Date	2005-5-18	
Rev.	1.0	Page 2/3

Typical Performance



SIPAT Co., Ltd.
(CETC No. 26 Research Institute)
Nanping Huayuan Road No. 14
Chongqing, China, 400060

Part Number	LBS14069	
Rev. Date	2005-5-18	
Rev.	1.0	Page 3/3