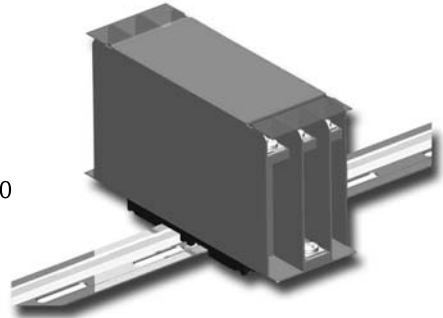


# DTRF

## Low Leakage Current Three Phase Filter for Industrial Applications

### General Specifications

- Maximum operating voltage: 520Vac
- Operating frequency: DC - 60Hz
- Hipot test voltage:  
L/N->PE: 2000 Vac 2s  
L->N: 2250 Vdc 2s
- Application class: HMF Acc. TO DIN 40040  
(-25°C/+100°C/95% RH, 30d)
- Flammability class: UL 94 V2



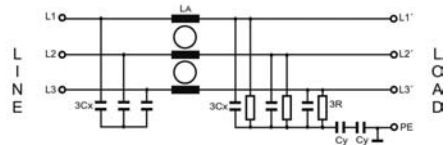
### Applications

Servo drives  
Three phase power supplies  
Medical equipment

### Features

DIN guide optional for rail mounted equipment  
(DIN ended reference)  
LL models for very low leakage current  
NL models for better attenuation.

### Electrical schematics



### Product List

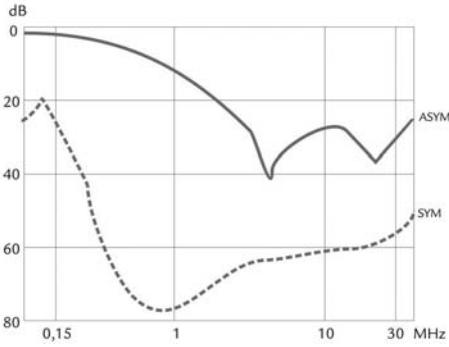
Type	Rated Current (A) @ 50 °c	Leakage Current (mA)	Power Losses (W)	Connection	Weight (Kg)	Housing
DTRF-020LL	20	<0,4	5,4	Terminal block 4-6 mm <sup>2</sup> / AWG 12-10	0,56	61,63 DIN
DTRF-030LL	30	<0,4	6,2	Terminal block 8-10 mm <sup>2</sup> / AWG 8-7	0,58	61,63 DIN
DTRF-050LL	50	<0,4	9,4	Terminal block 16-20 mm <sup>2</sup> / AWG 5-4	0,98	62,64 DIN
DTRF-020NL	20	<2,5	5,4	Terminal block 4-6 mm <sup>2</sup> / AWG 12-10	0,56	61,63 DIN
DTRF-030NL	30	<2,5	6,2	Terminal block 8-10 mm <sup>2</sup> / AWG 8-7	0,58	61,63 DIN
DTRF-050NL	50	<2,5	9,4	Terminal block 16-20 mm <sup>2</sup> / AWG 5-4	0,98	62,64 DIN

# DTRF

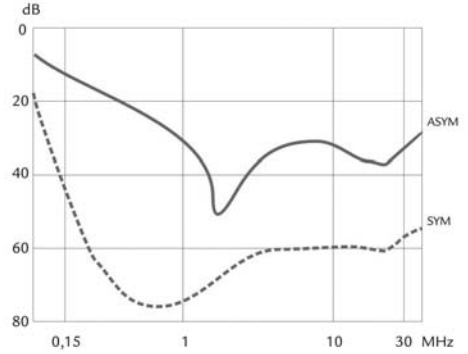
## Low Leakage Current Three Phase Filter for Industrial Applications

Insertion Loss ——— ASYM  
 - - - - - SYM

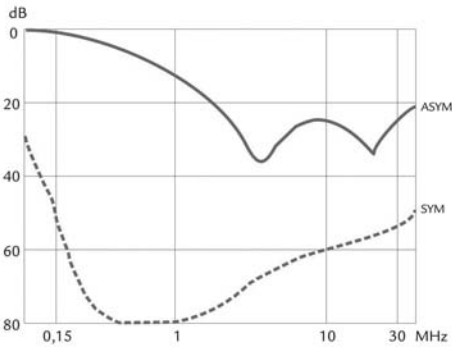
20A



20A HV



30/50A



30/50A HV

