



Features

- RoHS Compliant
- Low insertion losses
- Easy mounting
- Small size and space saving
- High immunity to external interference



Models

Model	Output Voltage <sub>e1,2</sub>	Nominal R.M.S Current <sub>1</sub>	Current Measuring Range <sub>1</sub>	Supply Voltage <sub>1</sub>	Current Consumption <sub>1</sub>	Offset Voltage <sub>1</sub>
CSE100-300-OL	100 mV ±15% @±I <sub>PN</sub>	100 A	0 ~ ±300	4 V ±5%	±5.85 mA	±7 mV @I <sub>p</sub> =0

Notes:

1. AT = 25°C.
2. R<sub>L</sub> = 10 KΩ

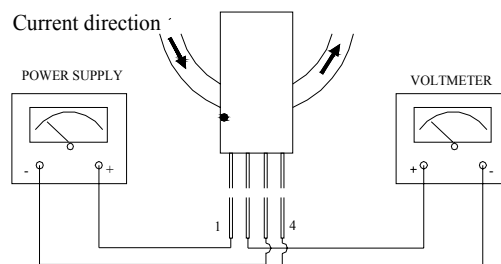
Operating Performance

Thermal drift of V <sub>O</sub>	±0.5 mV/°C
Thermal drift of V <sub>OUT</sub>	0.04%/°C
Response time	5μs
Linearity	2% @0~±I <sub>PN</sub>
Accuracy	±15% @I <sub>PN</sub>
Hysteresis offset voltage	±10 mV @±I <sub>PN</sub> →0
Isolation voltage	3 KV @ 50/60 Hz for 1 minute
Frequency bandwidth	0 ~ 50 KHz

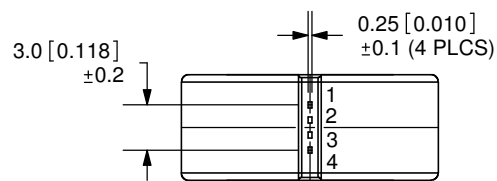
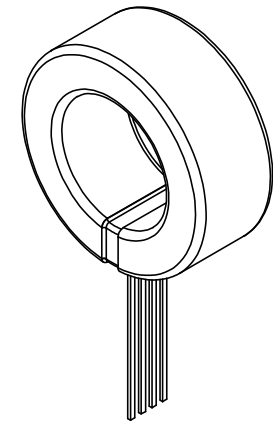
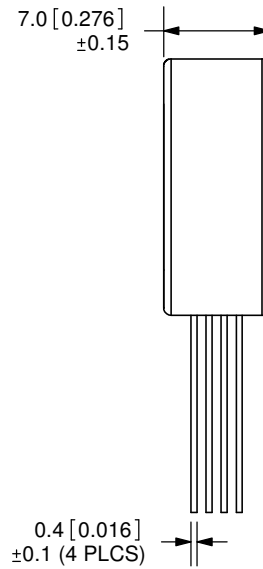
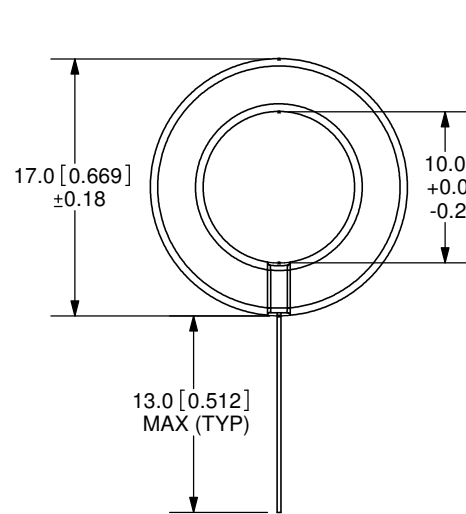
General Data

Operating temperature	-25 ~ +85 °C
Storage temperature	-40 ~ +100 °C
Mass	6.5g

Setup Diagram



REV.	DESCRIPTION	DATE
A	NEW DRAWING	5/29/2007



TOLERANCE:  
±0.2mm UNLESS OTHERWISE  
SPECIFIED



20050 SW 112th Ave.  
Tualatin, OR 97062  
Phone: 503-612-2300  
800-275-4899  
Fax: 503-612-2383  
Website: www.cui.com

Secondary Terminals		TITLE: CURRENT SENSOR	REV: A
Terminal 1	+VCC	PART NO. CSEX-X-OL Series	UNITS: MM [INCHES]
Terminal 2	+OUTPUT		
Terminal 3	GND	DRAWN BY: ZRJ	APPROVED BY:
Terminal 4	-OUTPUT		SCALE: 2:1

PC FILE NAME:  
CSEX-X-OL Series

COPYRIGHT 2007 BY CUI INC.