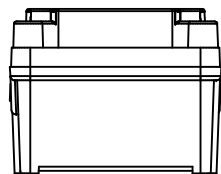
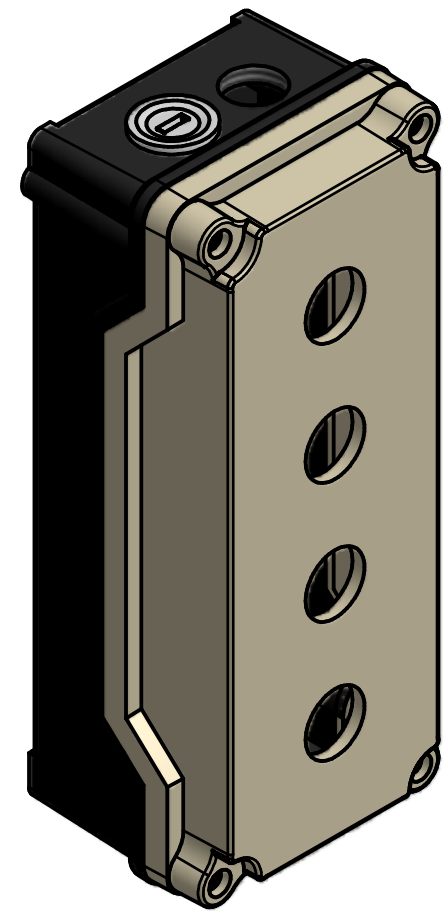
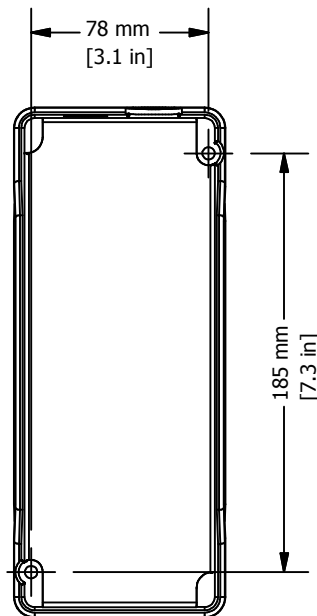
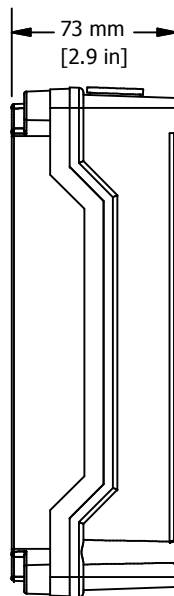
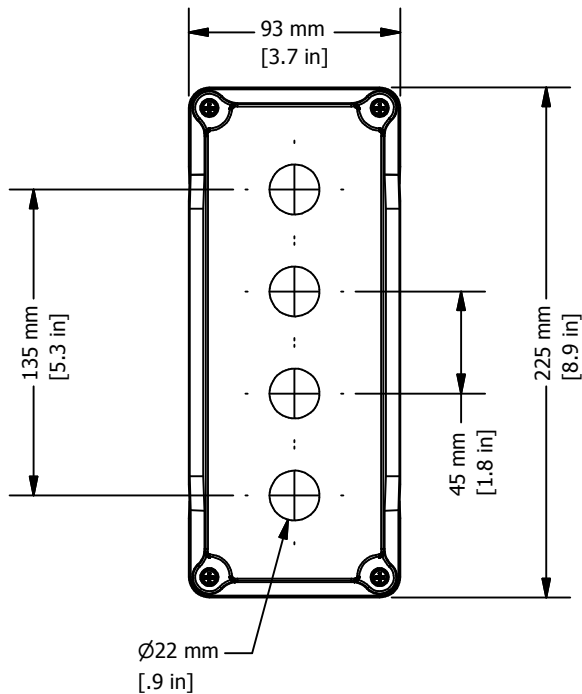
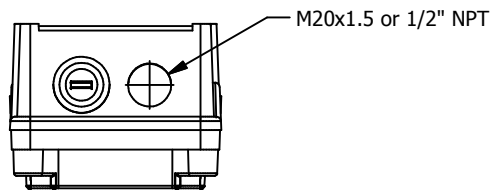


REVISION FOR DWG # 1PB-2005G13

REV	CH.NO.	DESCRIPTION	DATE	REVISED BY
-	-	ORIGINAL DESIGN	11/7/2007	PHILIPP E.



2 contact blocks can be used with an illuminated operator. 4 contact blocks can be used with any non-illuminated operator.

UNLESS OTHERWISE SPECIFIED:
 • ALL DIMENSIONS ARE IN MILLIMETERS
 • THIRD ANGLE PROJECTION



This Drawing is the property of
Altech Corp.

35 Royal Road
 Flemington, NJ 08822-6000
 (908) 806-9400
 Fax (908) 806-9490

METRIC

TOLERANCE		
XX	=	±1 mm
XX.X	=	±0.5 mm
XX.XX	=	±0.2 mm
ALL	=	- mm

AND IS A CONFIDENTIAL DISCLOSURELENT WITHOUT CONSIDERATION OTHER THAN THE BORROWER'S AGREEMENT THAT IT SHALL NOT BE REPRODUCED, COPIED, LENT OR DISPOSED OF DIRECTLY OR INDIRECTLY NOR USED FOR ANY PURPOSE OTHER THAN THAT FOR WHICH IT IS SPECIFICALLY FURNISHED.

TITEL 22 mm Aluminum Enclosure Gravity Die Cast 2005G13 (cable entry thread size: 2xM20) and 2009G13 (cable entry thread size: 2x1/2"-14 NPT)

DRAWN BY: Philipp Ernstberger	11/7/2007	DRAWING NO.:	1PB-2005G13	REV.:	-
CHECKED BY: Laszlo Gyorgypal	11/7/2007	SCALE:	-	SHEET:	1
RELEASED BY: Laszlo Gyorgypal	11/7/2007			OF:	1