

NOTES :

1. MATERIAL - PP8.
2. ALL DIMENSIONS ARE IN MILLIMETERS.
3. TOLERANCES - X.X=±0.25
- X.XX=±0.13
UNLESS OTHERWISE SPECIFIED.
4. ESD - SURFACE RESISTIVITY
- 10⁵ TO 10¹¹ OHMS/SQ.
5. FOR PACKAGE - BGA17X17
6. PART NO. : NH BG1717 1.5 0615 8
(PLEASE INDICATE ON PURCHASE ORDER).
7. DATECODE AT TRAY BOTTOM SIDE.

DETAIL OF CENTRAL AREA (2:1)

BOTTOM VIEW OF CENTRAL AREA (2:1)



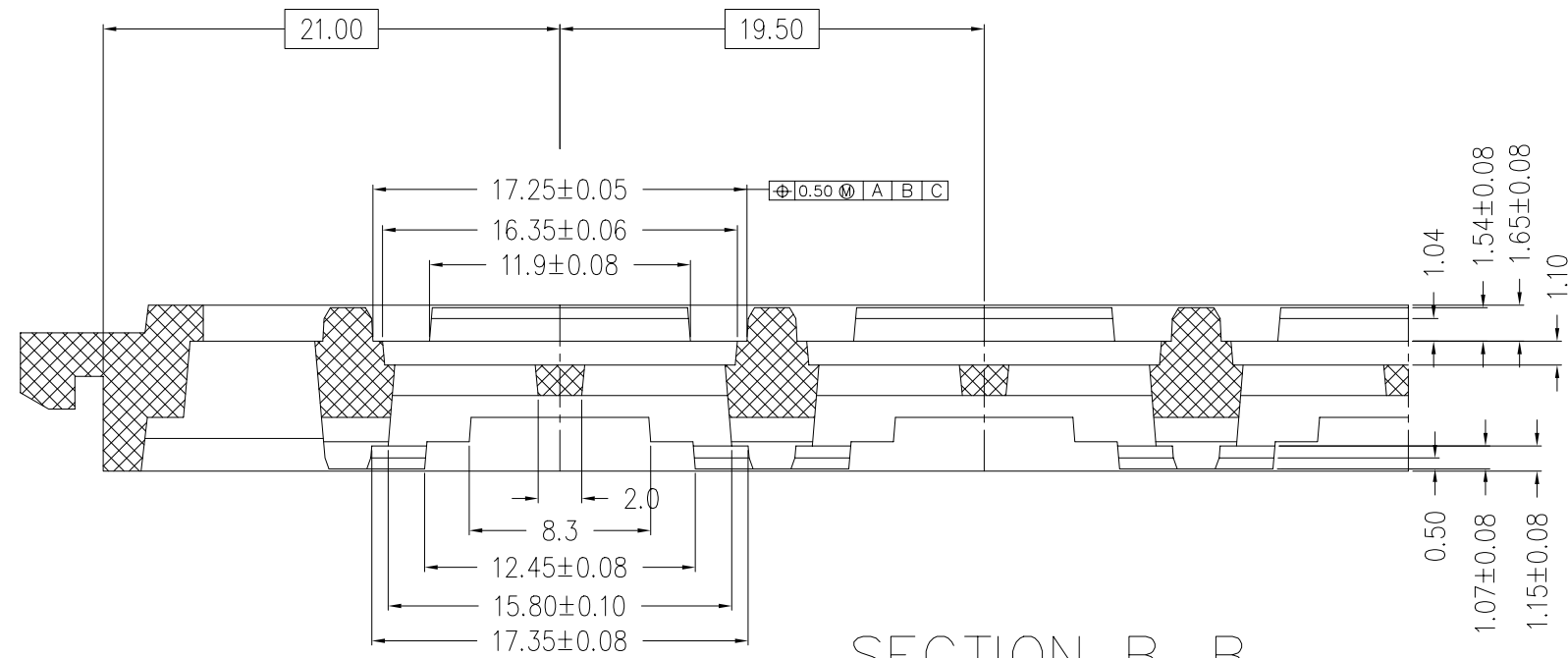
REV.NO.	ECN #	DESCRIPTION	DATE
2	P-00991	CHANGE DIM	14 AUG 00
1	P-00804	CHANGE SURFACE RESISTIVITY	1 FEB 99
0		RELEASED FOR PRODUCTION	23 SEP 97

THIS DOCUMENT CONTAINS INFORMATION PROPRIETARY TO PEAK PLASTIC & METAL PRODUCTS INTERNATIONAL LIMITED. REPRODUCTION, DISCLOSURE OR USE OF THIS DOCUMENT IS EXPRESSLY PROHIBITED EXCEPT IF OTHERWISE AGREED UPON IN WRITING.

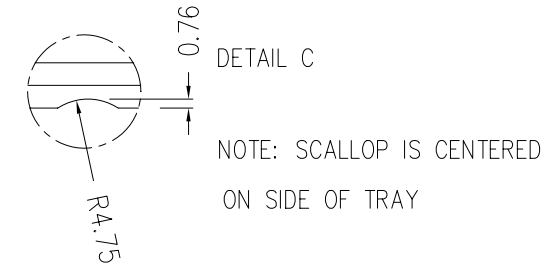
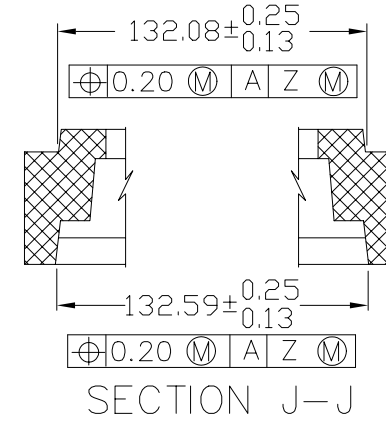
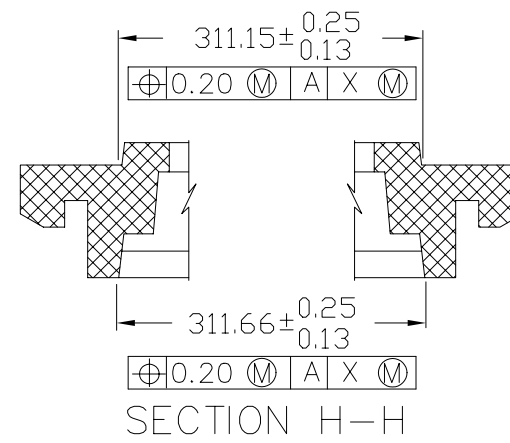
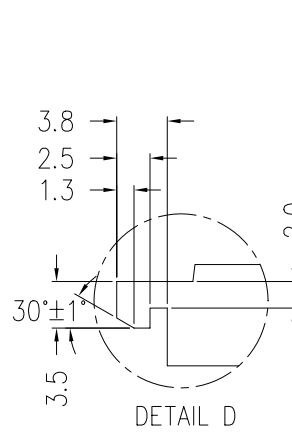
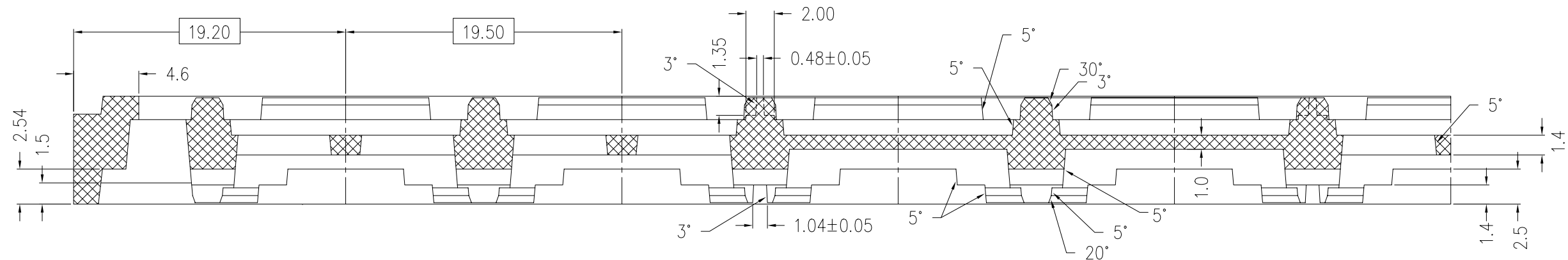
DRAWN BY :	Wang	PAGE 1 OF 2
CHECKED BY :	WILDER	DATE : 14 AUG 00
APPROVED BY :	JONES	DATE : 14 AUG 00
APPROVED BY :	DAVY	DATE : 14 AUG 00
DO NOT SCALE DRAWING		CODE : CSA04131

CUSTOMER :	PEAK	
TITLE :	NH BG1717 1.5 0615 8	
DWG NO.:	NH BG1717 1.5 0615 8	REV. 2

SECTION A-A



SECTION B-B



REV.NO.	ECN #	DESCRIPTION	DATE
2	P-00991	CHANGE DIM	14 AUG 00
1	P-00804	CHANGE SURFACE RESISTIVITY	1 FEB 99
0		RELEASED FOR PRODUCTION	23 SEP 97

THIS DOCUMENT CONTAINS INFORMATION PROPRIETARY TO PEAK PLASTIC & METAL PRODUCTS INTERNATIONAL LIMITED. REPRODUCTION, DISCLOSURE OR USE OF THIS DOCUMENT IS EXPRESSLY PROHIBITED EXCEPT IF OTHERWISE AGREED UPON IN WRITING.

DRAWN BY :	Wang	PAGE 2 OF 2
CHECKED BY :	WILDER	DATE : 14 AUG 00
APPROVED BY :	JONES	DATE : 14 AUG 00
APPROVED BY :	DAVY	DATE : 14 AUG 00
DO NOT SCALE DRAWING		CODE : CSA04131

CUSTOMER :	PEAK	
TITLE :	NH BG1717 1.5 0615 8	
DWG NO.:	NH BG1717 1.5 0615 8	REV. 2