

INTRODUCTION:

Adam Tech RT1 relays are modern, low profile, signal level relays offered in an ultra small package with SMT terminals and are available with coil voltages from 5-48VDC. These 2 form C relays are designed for all low signal applications such as test equipment, security equipment and medical equipment.

FEATURES:

1 Amp switching capability
Low profile .192" (4.9mm)
Low coil power of 140mw
Tape and Reel packaging

SPECIFICATIONS:

Electrical:

Contact arrangement: 2 Form C

Contact material: Gold clad, Silver alloy

Contact Rating (Resistive load): 0.5A @ 125V AC
1A @ 30V DC

Max. Switching Voltage: 120V AC / 30V DC

Max. Switching Power: 62VA / 30W

Contact resistance: 100 mΩ max. Initial

Insulation resistance: 100 MΩ min. @ 500V DC

Dielectric withstanding voltage:

Between Coil & Contact: 500V AC 50/60Hz for 1 min.

Between Contacts: 1000V AC 50/60Hz for 1 min.

Operating time: 6 ms max.

Release time: 4 ms max.

Electrical Life: 100,000 Operations (at rated load)

MECHANICAL:

Vibration resistance (Endurance): 1.5mm Double Amplitude 10-55Hz

Shock resistance: 10G min.

Mechanical Life: 10,000,000 Operations (no load)

TEMPERATURE RATING:

Ambient temperature: -40°C to +85°C

PACKAGING:

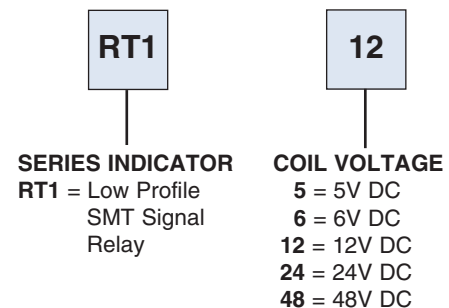
Anti-ESD plastic tubes

SAFETY AGENCY APPROVALS:

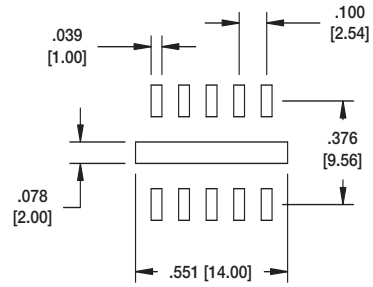
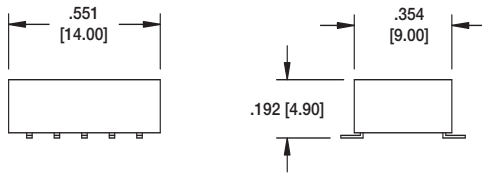
cUL Recognized File No. E305638



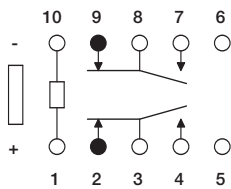
ORDERING INFORMATION LOW PROFILE SMT SIGNAL RELAY



RT1 SERIES



Recommended PCB Layout



SCHEMATIC



RT1-5

Nominal Voltage V DC	Pick-up Voltage V DC (max.)	Drop-out Voltage V DC (min.)	Nominal Operating Current mA (±10%)	Coil Resistance (±10%)	Nominal Operating Power mW	Max allowable Voltage V DC
5	3.75	0.5	28.1	178	140	7.5
6	4.5	0.6	23.3	257	140	9
12	9	1.2	11.7	1,028	140	18
24	18	2.4	8.3	2,880	200	36
48	36	4.8	6.3	7,680	300	57.6